

127mm**San Ace B127**

32mm thick (9BJ type)

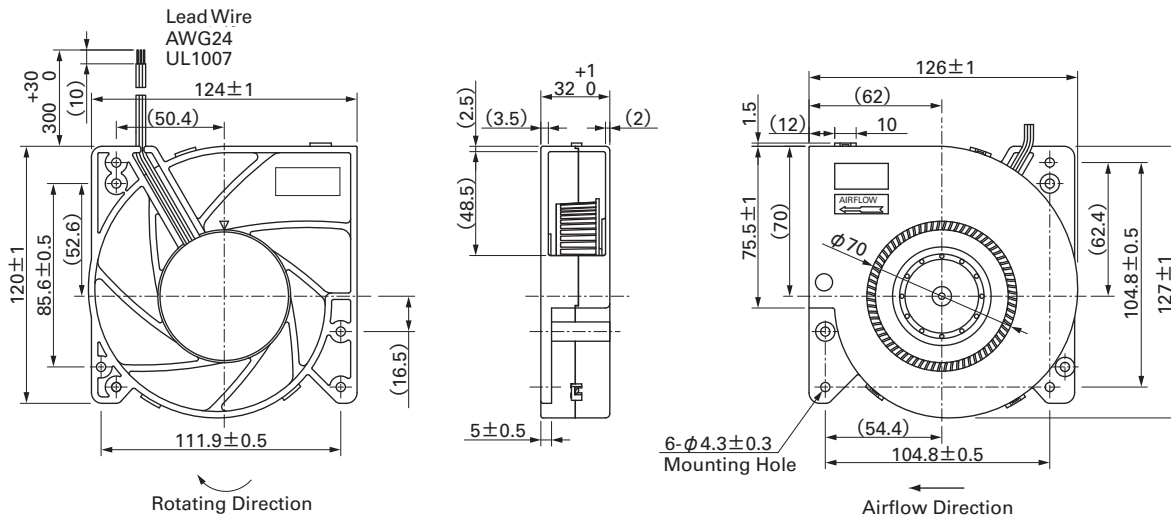
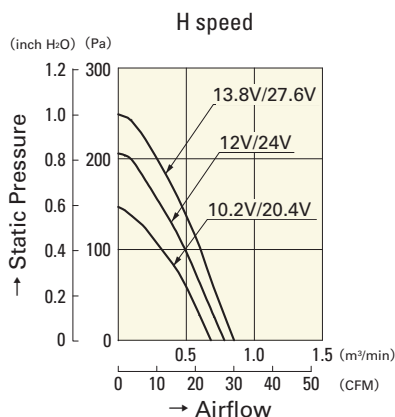
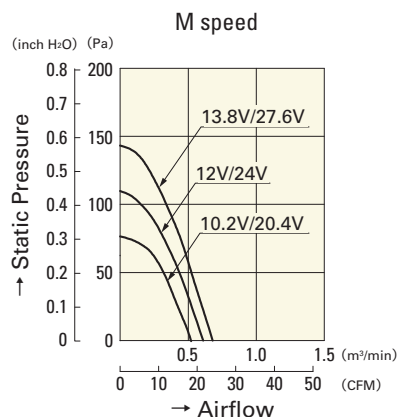
**General Specifications**

- Material Frame: Plastics (Flammability: UL94V-0),
Impeller: Plastics (Flammability: UL94V-1)
- Expected Life Refer to specifications (L10:Survival rate: 90% at 60°C ,
rated voltage, and continuously run in a free air state)
- Lead Wire ⊕red ⊖black or blue (Sensor) yellow
- Storage Temperature -30°C to +70°C (Non-condensing)

127mm×32mm (Mass : 290g) **9BJ type****Specifications** The following nos. **have pulse sensors.**

Model No.	Rated Voltage [V]	Operating Voltage Range [V]	Rated Current [A]	Rated Input [W]	Rated Speed [min ⁻¹]	Max. Airflow [m ³ /min] [CFM]	Max. Static Pressure [Pa] [inchH ₂ O]	SPL [dB(A)]	Operating Temperature [°C]	Expected Life [h]	
109BJ12HC2	12	10.2 to 13.8	0.52	6.24	2,400	0.78	27.5	205.8	0.826	46	40,000
109BJ12MC2			0.29	3.48	1,900	0.61	21.5	109.8	0.441	40	
109BJ24HC2	24	20.4 to 27.6	0.26	6.24	2,400	0.78	27.5	205.8	0.826	46	
109BJ24MC2			0.15	3.6	1,900	0.61	21.5	109.8	0.441	40	

Some models can also be equipped without sensors as an option. Please refer to the index (pp. 417 to 437).

Dimensions (unit : mm)**Airflow - Static Pressure Characteristics**
109BJ12HC2
109BJ24HC2

109BJ12MC2
109BJ24MC2