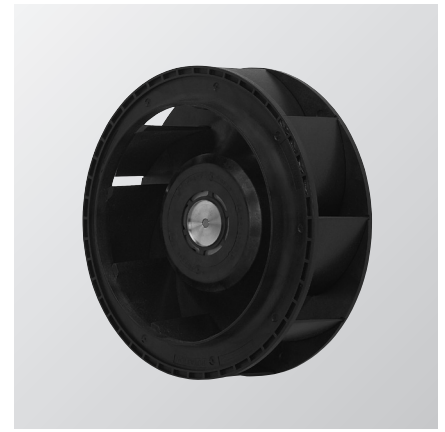


φ 175mm

San Ace C175

69mm thick (9TG type)



General Specifications

- Material Motor case: Aluminum,
Impeller: Plastics (Flammability: UL94V-1Min.)
- Expected Life Refer to specifications (L10:Survival rate: 90% at 60°C ,
rated voltage, and continuously run in a free air state)
- Lead Wire ⊕red ⊖black (Sensor) yellow (Control) brown
- Storage Temperature -30°C to +70°C (Non-condensing)

φ 175mm × 69mm (Mass : 750g) **9TG type**

Specifications

When inlet nozzle [Option (Model : 109-1073)] is mounted. The following nos. **have PWM controls and pulse sensors.**

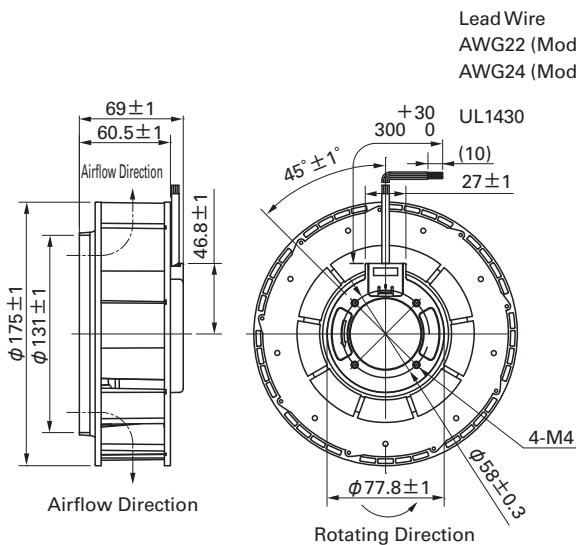
Model No.	Rated Voltage [V]	Operating Voltage Range [V]	PWM duty cycle ^{*)} [%]	Rated Current [A]	Rated Input [W]	Rated Speed [min ⁻¹]	Max. Airflow [m ³ /min] [CFM]	Max. Static Pressure [Pa] [inchH ₂ O]	SPL [dB(A)]	Operating Temperature [°C]	Expected Life [h]
9TG24P0G01	24	20.4 to 27.6	100	3.9	93.6	4,700	14.0 494.7	885 3.55	73	-20 to +60	40,000
9TG24P0S01				2.35	56.40	3,900	11.6 409.8	609 2.45	69	-20 to +70	
9TG48P0G01	48	36 to 55.2		1.95	93.6	4,700	14.0 494.7	885 3.55	73		

Note 1 : Fan does not rotate when PWM duty cycle is 0% .
Note 2 : Max input is 130W at rated voltage.

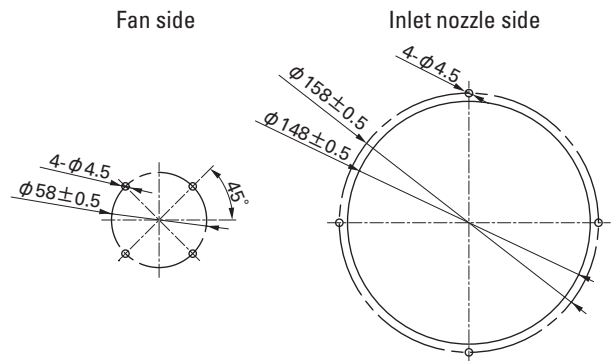
*)PWM Frequency : 25kHz

Some models can also be equipped without sensors or with pulse sensors (no PWM control functions) as an option. Please refer to the index (pp. 417 to 437).

Dimensions (unit : mm)



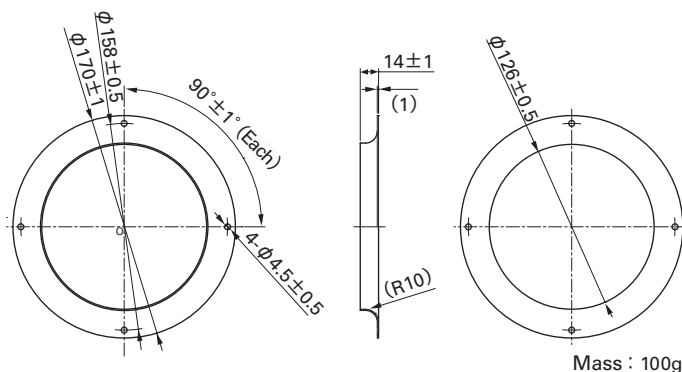
Reference Dimension of Mounting Holes and Vent Opening (unit : mm)



Options (unit : mm)

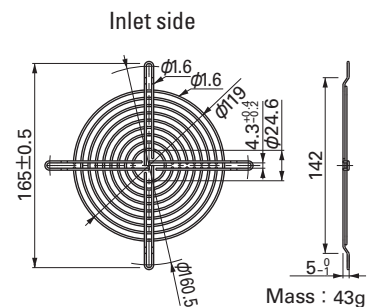
Inlet Nozzle

Model : 109-1073 Material : Steel sheet Surface treatment : Electro nickel plating (silver) Color : (silver)
: 109-1073H : Steel sheet : Cation electropainting (black)



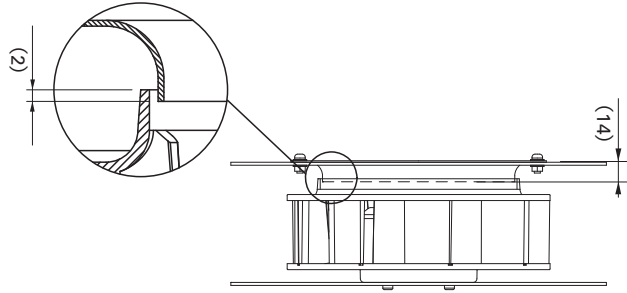
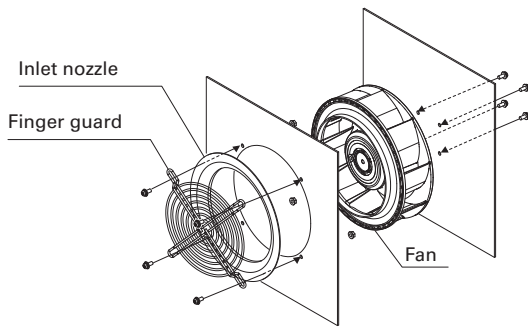
Finger Guards

Model : 109-722 Surface treatment : Nickel-chrome plating (silver) Color : (silver)



Inlet nozzle : Nozzle mounted in fan inlet side to adjust the flow of introduced air

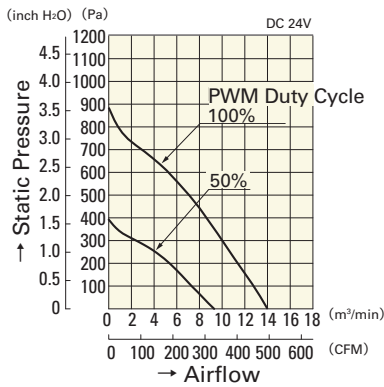
Reference Diagram for Mounting



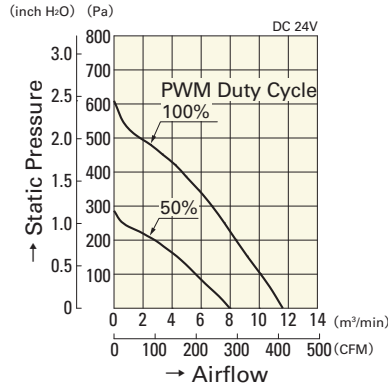
Screw length should be 4 mm or more but not exceeding 6 mm from fan edge face. To prevent screw from losing, use plain washer and spring washer.

Airflow - Static Pressure Characteristics

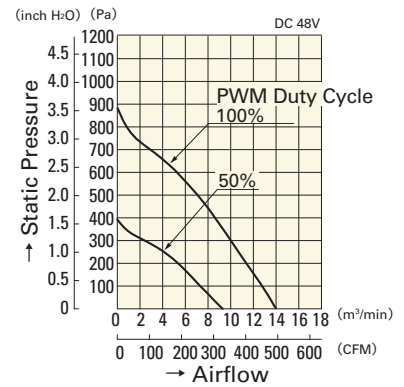
PWM Duty Cycle



9TG24P0G01

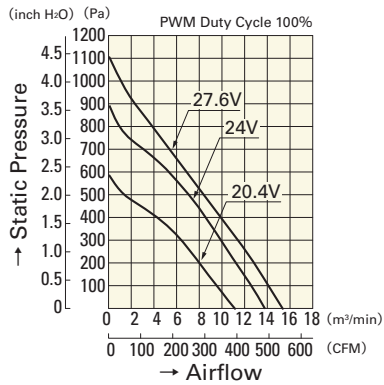


9TG24P0S01

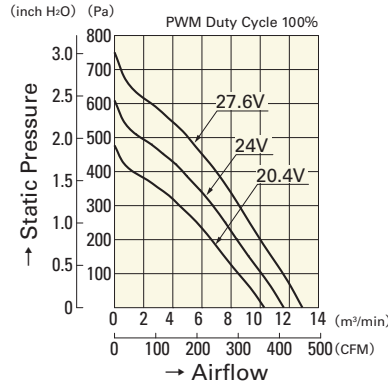


9TG48P0G01

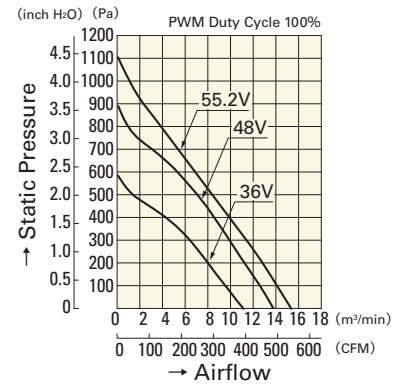
Operating Voltage Range



9TG24P0G01

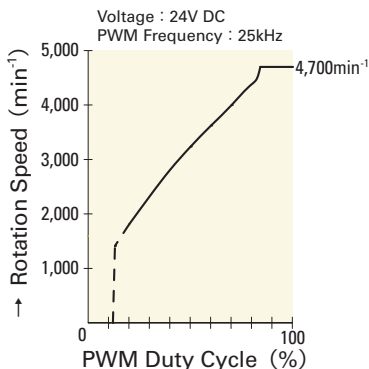


9TG24P0S01

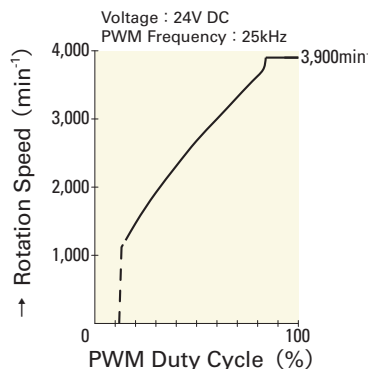


9TG48P0G01

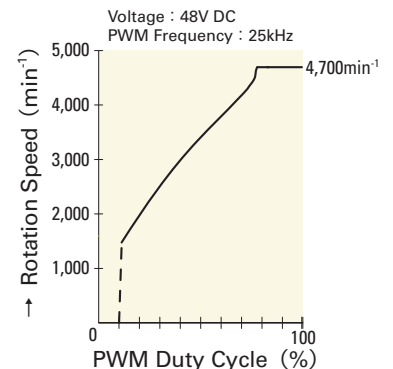
PWM Duty - Speed Characteristics Example



9TG24P0G01



9TG24P0S01



9TG48P0G01