

**140**mm sq.

# San Ace 140L

38mm thick (9L type)  
51mm thick (9LB type)



Model no. 9LB1424B501, 9LB1448F501 are not certified.

## General Specifications

- Material ..... Frame: Aluminum,  
Impeller: Plastics (Flammability: UL94V-1)
- Expected Life ..... Refer to specifications (L10:Survival rate: 90% at 60°C ,  
rated voltage, and continuously run in a free air state)
- Lead Wire ..... ⊕red ⊖black or blue (Sensor) yellow
- Storage Temperature ..... -30°C to +70°C (Non-condensing)

**140×140×51mm** (Mass : 610g) **9LB type**

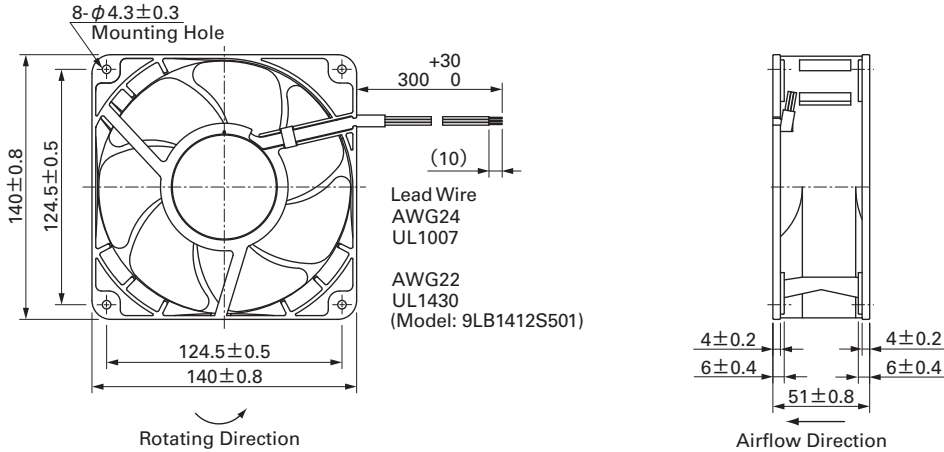
## Specifications

The following nos. **have pulse sensors.**

Model No.	Rated Voltage [V]	Operating Voltage Range [V]	Rated Current [A]	Rated Input [W]	Rated Speed [min <sup>-1</sup> ]	Max. Airflow [m <sup>3</sup> /min] [CFM]	Max. Static Pressure [Pa] [inchH <sub>2</sub> O]	SPL [dB(A)]	Operating Temperature [°C]	Expected Life [h]
9LB1412S501	12	10.2 to 13.8	2.7	32.4	4,200	8.1 286.2	240 0.96	57	- 20 to + 70	60,000
9LB1412H501			1.25	15.0	3,100	5.9 208.5	130 0.52	49		100,000
9LB1412M501			0.46	5.52	2,050	3.9 138	63 0.25	39		100,000
9LB1424S501	24	20.4 to 27.6	1.38	33.12	4,200	8.1 286.2	240 0.96	57		60,000
9LB1424B501			0.97	23.3	3,700	7.1 251	186 0.75	55		100,000
9LB1424H501			0.60	14.4	3,100	5.9 208.5	130 0.52	49		100,000
9LB1424M501			0.22	5.28	2,050	3.9 138	63 0.25	39		
9LB1448S501	48	40.8 to 55.2	0.71	34.08	4,200	8.1 286.2	240 0.96	57		60,000
9LB1448H501			0.27	12.96	3,100	5.9 208.5	130 0.52	49		100,000
9LB1448F501			0.18	8.6	2,550	4.8 169	91 0.37	44		100,000
9LB1448M501			0.12	5.76	2,050	3.9 138	63 0.25	39		

Some models can also be equipped without sensors or with PWM control functions as an option. Please refer to the index (pp. 417 to 437).

## Dimensions (unit : mm)



## Reference Dimension of Mounting Holes and Vent Opening (unit : mm)

