

92mm sq.

San Ace 92L

25mm thick (9LG type), 38mm thick (9LG type)



General Specifications

- Material Frame: Aluminum,
Impeller: Plastics (Flammability: UL94V-1)
- Expected Life Refer to specifications (L10:Survival rate:90% at 60°C ,
rated voltage, and continuously run in a free air state)
- Lead Wire ⊕red ⊖black (Sensor) yellow (Control) brown
- Storage Temperature -30°C to +70°C (Non-condensing)

92×92×25mm (Mass : 150g) **9LG type** **High Airflow**

Specifications

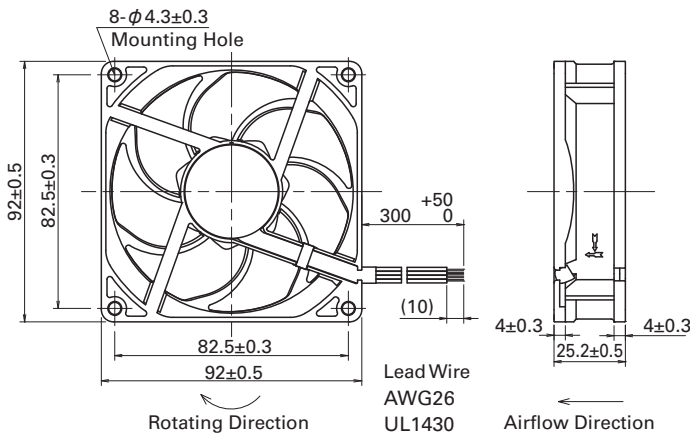
The following nos. **have PWM controls and pulse sensors.**

Model No.	Rated Voltage [V]	Operating Voltage Range [V]	PWM duty cycle ^{Note 1)} [%]	Rated Current [A]	Rated Input [W]	Rated Speed [min ⁻¹]	Max. Airflow [m ³ /min] [CFM]	Max. Static Pressure [Pa] [inchH ₂ O]	SPL [dB(A)]	Operating Temperature [°C]	Expected Life [h]
9LG0912P4J001	12	10.8 to 13.2	100	0.42	5.04	5,000	2.20 77.7	105 0.42	44	-20 to +70	180,000
9LG0912P4G001			100	0.30	3.60	4,400	1.93 68.2	81 0.33	40		
9LG0912P4S001			100	0.22	2.64	3,850	1.69 59.7	62.1 0.25	37		
9LG0912P4H001			100	0.15	1.80	3,150	1.38 48.7	41.6 0.17	32		
9LG0924P4J001	24	21.6 to 26.4	100	0.21	5.04	5,000	2.20 77.7	105 0.42	44		
9LG0924P4G001			100	0.15	3.60	4,400	1.93 68.2	81 0.33	40		
9LG0924P4S001			100	0.11	2.64	3,850	1.69 59.7	62.1 0.25	37		
9LG0924P4H001			100	0.07	1.68	3,150	1.38 48.7	41.6 0.17	32		

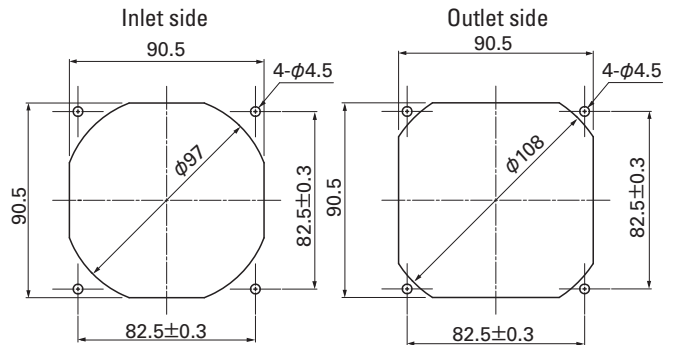
Note : Fan does not rotate when PWM duty cycle is 0%.

※PWM Frequency : 25kHz

Dimensions (unit : mm)



Reference Dimension of Mounting Holes and Vent Opening (unit : mm)

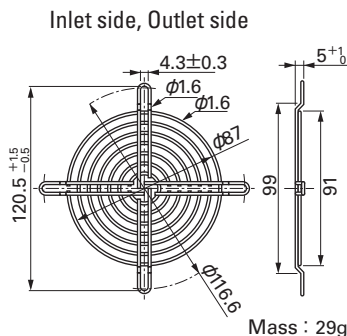
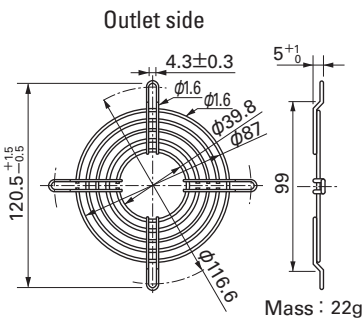


Options (unit : mm)

Finger Guards

Model : 109-099C Surface treatment : Nickel-chrome plating (silver) Color : Silver

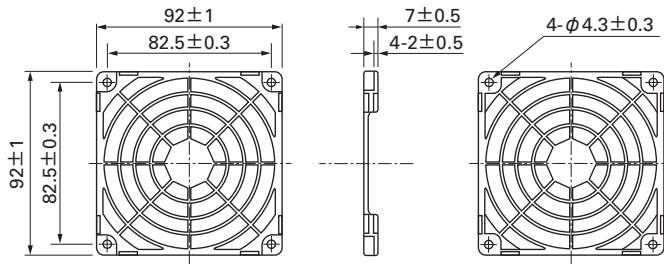
Model : 109-099E Surface treatment : Nickel-chrome plating (silver) Color : Silver
: 109-099H : Cation electropainting (black) Color : Black



Options (unit : mm)

Resin Finger Guards

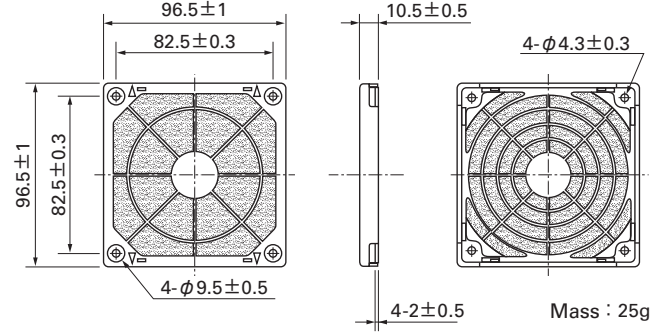
Model : 109-1001G



Mass : 12g

Resin Filter Kits

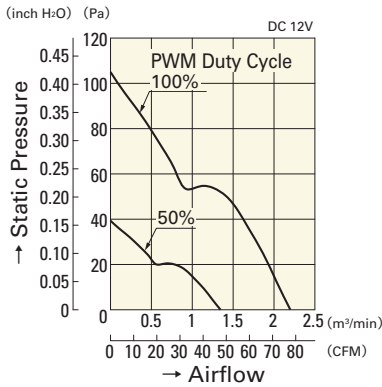
Model : 109-1001F13 (13PPI), 109-1001F20 (20PPI)
: 109-1001F30 (30PPI), 109-1001F40 (40PPI)



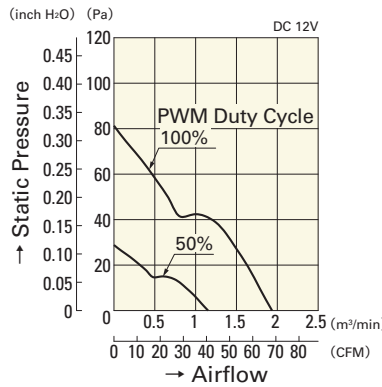
Mass : 25g

Airflow - Static Pressure Characteristics

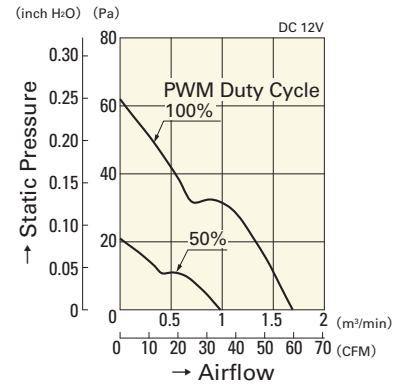
PWM Duty Cycle



9LG0912P4J001

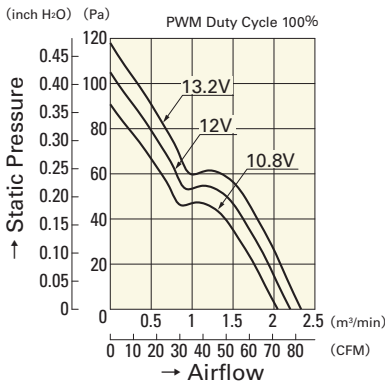


9LG0912P4G001

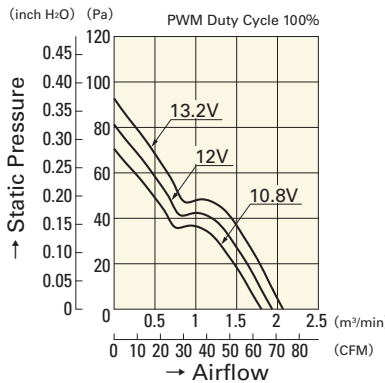


9LG0912P4S001

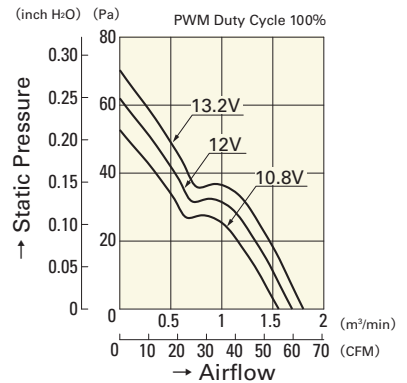
Operating Voltage Range



9LG0912P4J001

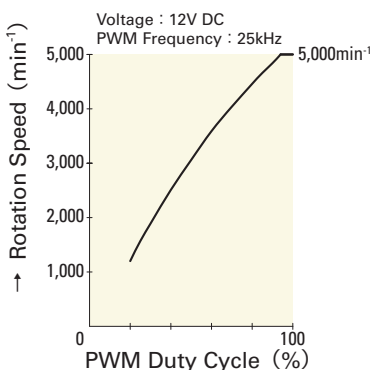


9LG0912P4G001

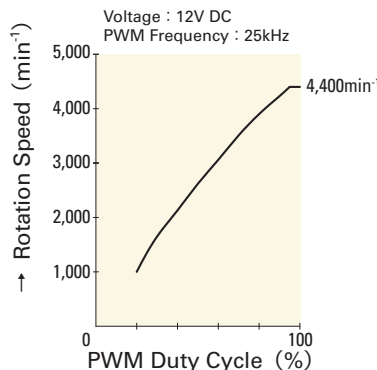


9LG0912P4S001

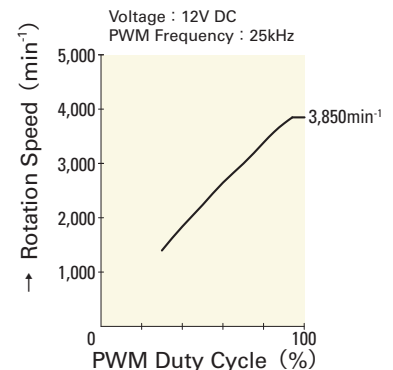
PWM Duty - Speed Characteristics Example



9LG0912P4J001



9LG0912P4G001



9LG0912P4S001

DC
Long Life Fan 92mm

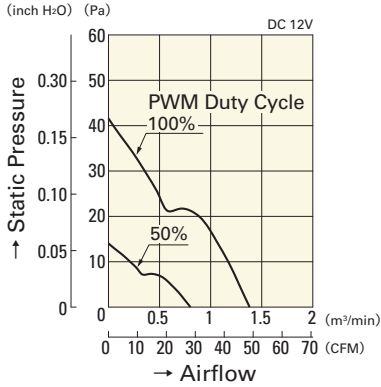
92mm sq.

San Ace 92L

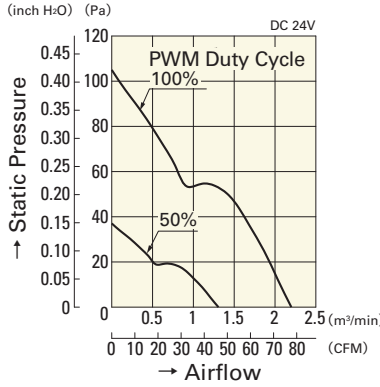
92×92×25mm [Mass : 150g]

Airflow - Static Pressure Characteristics

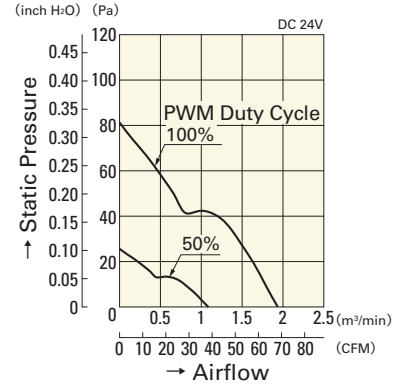
PWM Duty Cycle



9LG0912P4H001

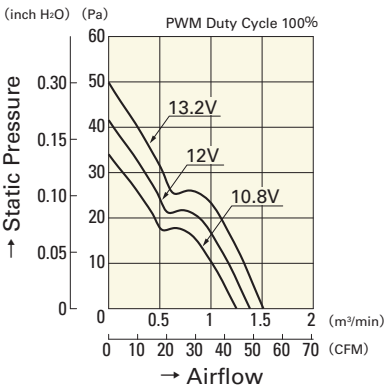


9LG0924P4J001

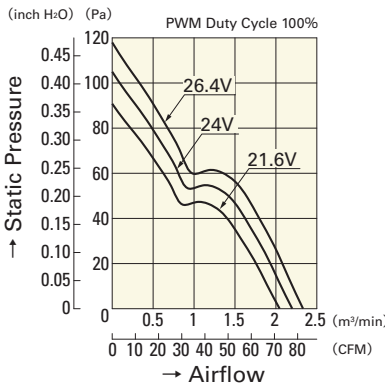


9LG0924P4G001

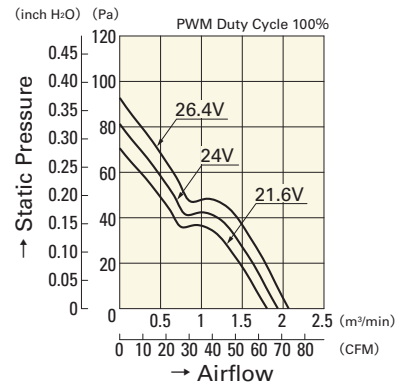
Operating Voltage Range



9LG0912P4H001

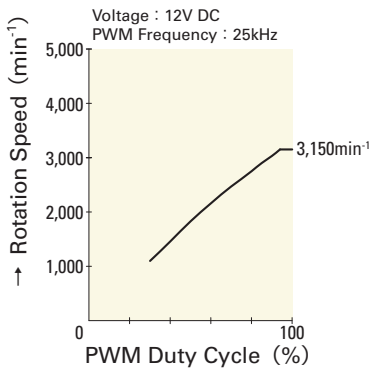


9LG0924P4J001

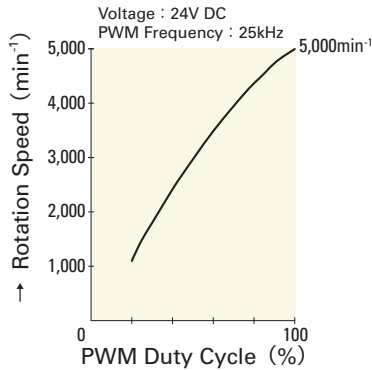


9LG0924P4G001

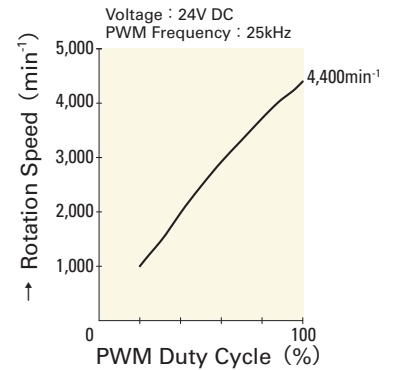
PWM Duty - Speed Characteristics Example



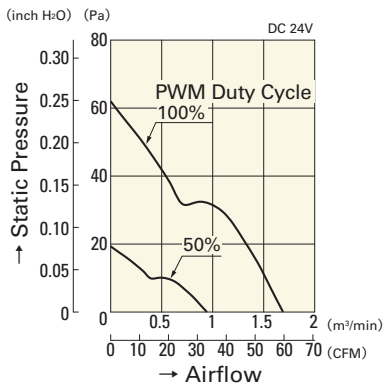
9LG0912P4H001



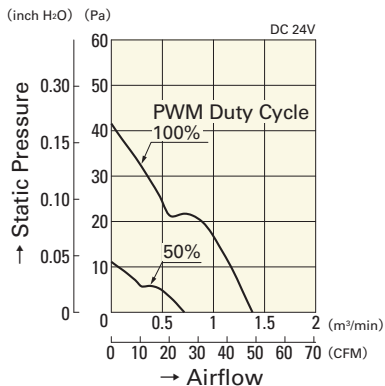
9LG0924P4J001



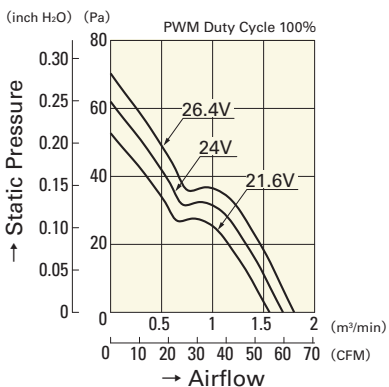
9LG0924P4G001



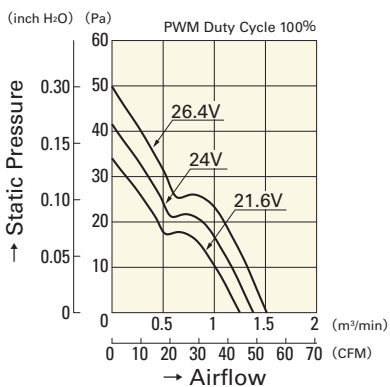
9LG0924P4S001



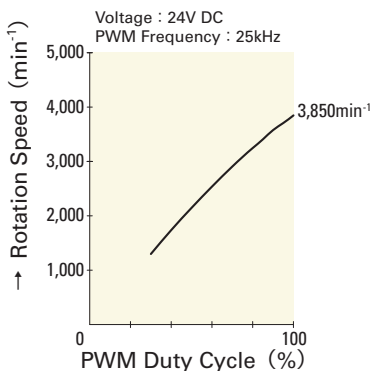
9LG0924P4H001



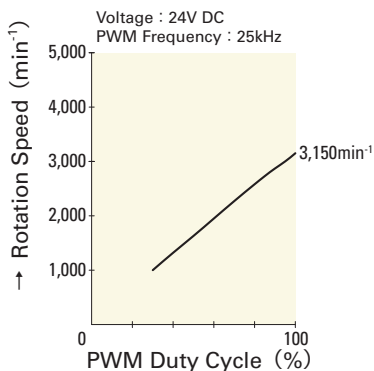
9LG0924P4S001



9LG0924P4H001



9LG0924P4S001



9LG0924P4H001