

**80**mm sq.

# San Ace 80L

25mm thick (9LG type), 80mm thick (9CRL type)



## General Specifications

- Material ..... Frame: Aluminum,  
Impeller: Plastics (Flammability: UL94V-1)
- Expected Life ..... Refer to specifications (L10:Survival rate:90% at 60°C ,  
rated voltage, and continuously run in a free air state)
- Lead Wire ..... Inlet ⊕red ⊖black (Sensor) yellow (Control) brown  
Outlet ⊕orange ⊖gray (Sensor) purple (Control) white
- Storage Temperature ..... -30°C to +70°C (Non-condensing)

**80×80×80**mm (Mass : 490g) **9CRL type** Counter Rotating



## Specifications

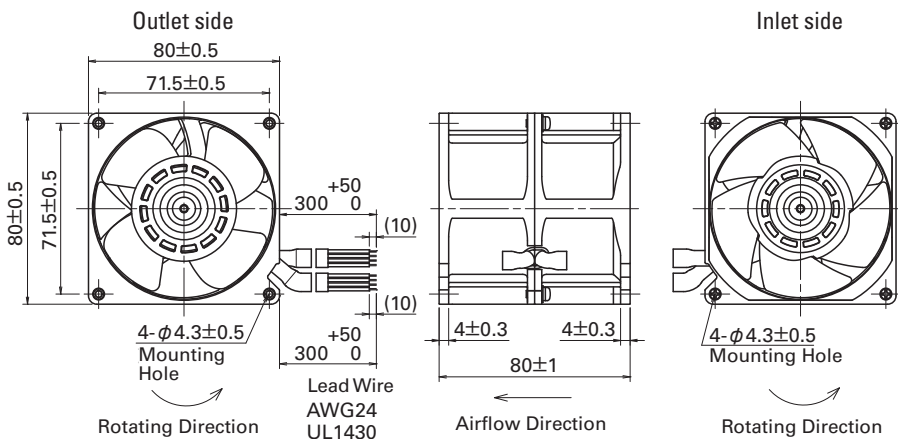
The following nos. **have PWM controls and pulse sensors.**

Model No.	Rated Voltage [V]	Operating Voltage Range [V]	PWM duty cycle※ [%]	Rated Current [A]	Rated Input [W]	Rated Speed [min <sup>-1</sup> ]		Max. Airflow [m <sup>3</sup> /min] [CFM]		Max. Static Pressure [Pa] [inchH <sub>2</sub> O]		SPL [dB(A)]	Operating Temperature [°C]	Expected Life [h]
						Inlet	Outlet							
<b>9CRL0812P8G001</b>	12	10.8 to 13.2	100	5.3	63.6	12,000	11,300	4.5	158.9	1,150	4.62	76	-20 to +70	130,000/60°C
			0	0.2	2.4	2,000	1,900	0.74	26.1	31.9	0.13	30		

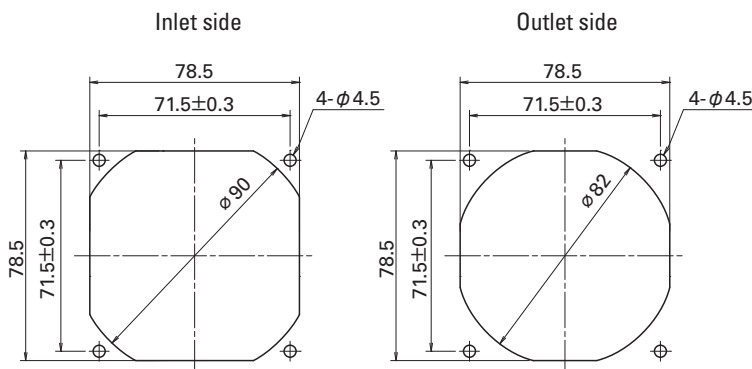
※PWM Frequency : 25kHz

Some models can also be equipped with pulse sensors (no PWM control functions) as an option. Please refer to the index (pp. 417 to 437).

## Dimensions (unit : mm)



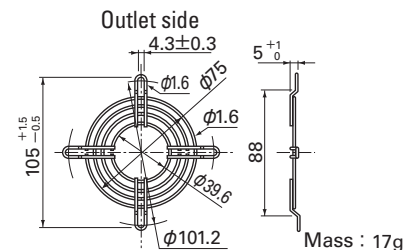
## Reference Dimension of Mounting Holes and Vent Opening (unit : mm)



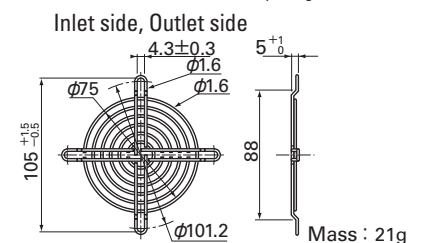
## Options (unit : mm)

### Finger Guards

Model : 109-049C Surface treatment : Nickel-chrome plating (silver) Color



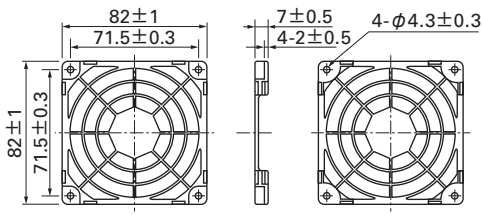
Model : 109-049E Surface treatment : Nickel-chrome plating (silver) Color  
: 109-049H Cation electropainting (black)



**Options (unit : mm)**

**Resin Finger Guards**

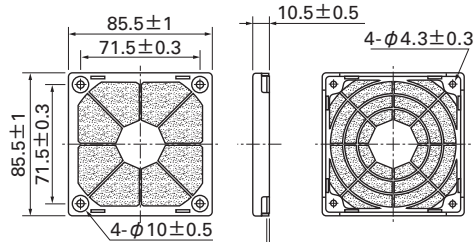
Model : 109-1002G



Mass : 10g

**Resin Filter Kits**

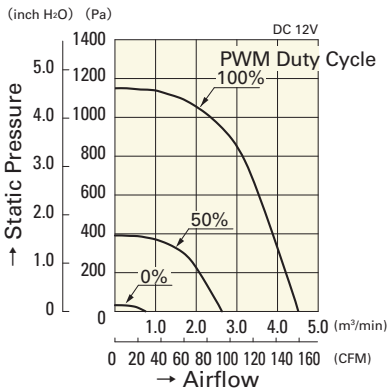
Model : 109-1002F13 (13PPI), 109-1002F20 (20PPI)  
: 109-1002F30 (30PPI), 109-1002F40 (40PPI)



Mass : 19g

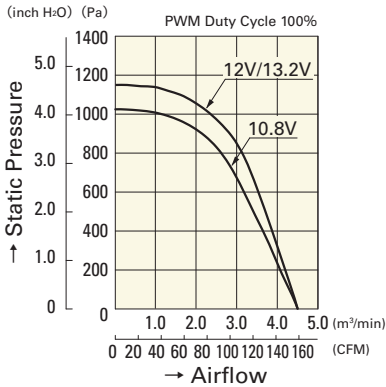
**Airflow - Static Pressure Characteristics**

**PWM Duty Cycle**



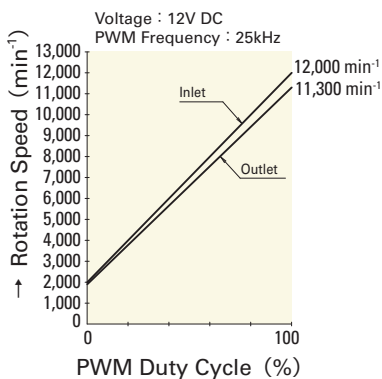
**9CRL0812P8G001**

**Operating Voltage Range**



**9CRL0812P8G001**

**PWM Duty - Speed Characteristics Example**



**9CRL0812P8G001**