

60mm sq.

San Ace 60L

25mm thick (9LG type), 76mm thick (9CRL type)



General Specifications

- Material Frame: Aluminum,
Impeller: Plastics (Flammability: UL94V-1)
- Expected Life Refer to specifications (L10:Survival rate:90% at 60°C ,
rated voltage, and continuously run in a free air state)
- Lead Wire Inlet ⊕red ⊖black (Sensor) yellow (Control) brown
Outlet ⊕orange ⊖gray (Sensor) purple (Control) white
- Storage Temperature -30°C to +70°C (Non-condensing)

60×60×76mm (Mass : 300g) **9CRL type** **Counter Rotating**

Specifications

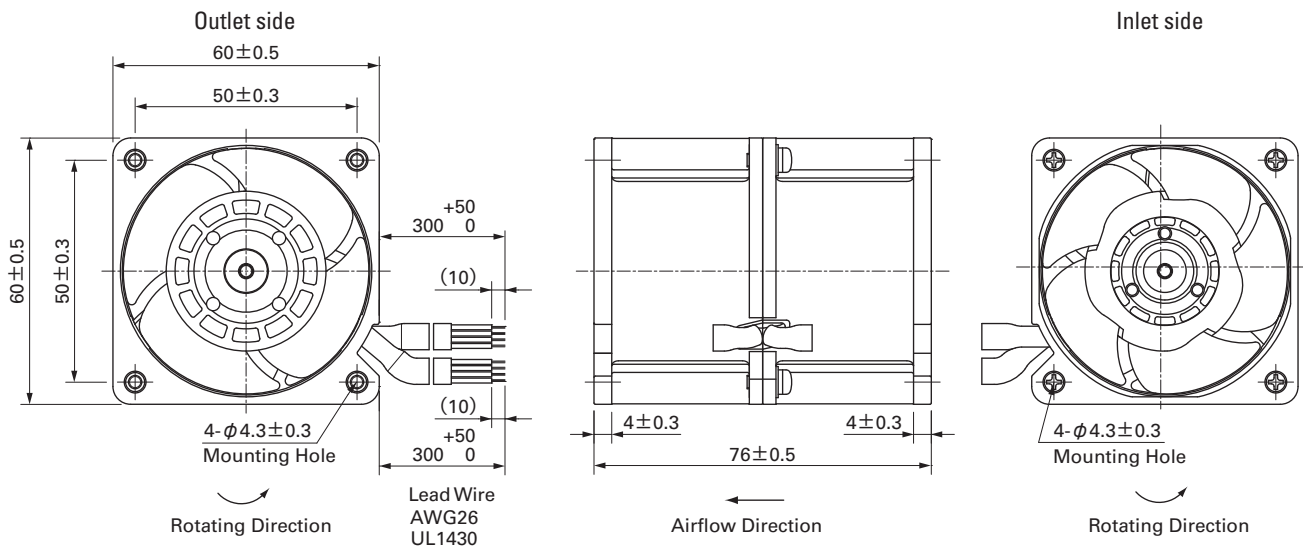
The following nos. **have PWM controls and pulse sensors.**

Model No.	Rated Voltage [V]	Operating Voltage Range [V]	PWM duty cycle* [%]		Rated Current [A]	Rated Input [W]	Rated Speed [min ⁻¹]		Max. Airflow [m ³ /min] [CFM]		Max. Static Pressure [Pa] [inchH ₂ O]		SPL [dB(A)]	Operating Temperature [°C]	Expected Life [h]
			100	0			Inlet	Outlet	2.0	70.6	1000	4.0			
9CRL0612P0G001	12	10.8 to 13.2	100	0	2.3	27.6	16,500	13,000	2.0	70.6	1000	4.0	66	-20 to +70	130,000/60°C
					0.22	2.7	3,600	2,800	0.43	15.1	47.6	0.19	32		

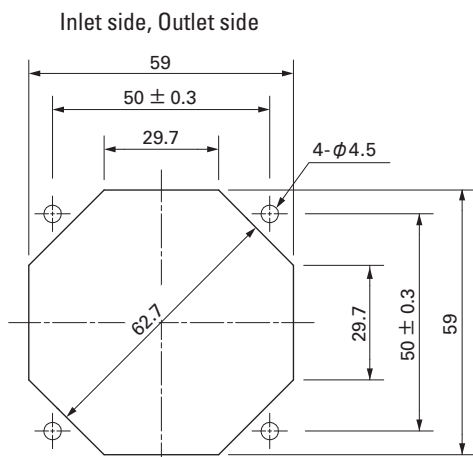
*PWM Frequency : 25kHz

Some models can also be equipped with pulse sensors (no PWM control functions) as an option. Please refer to the index (pp. 417 to 437).

Dimensions (unit : mm)



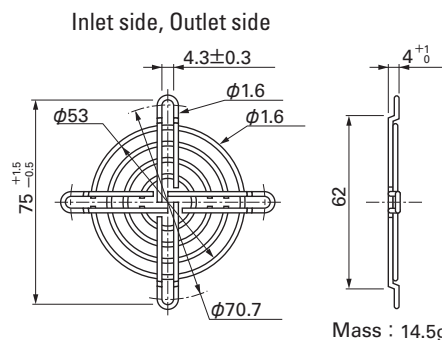
Reference Dimension of Mounting Holes and Vent Opening (unit : mm)



Options (unit : mm)

Finger Guards

Model : 109-139E Surface treatment : Nickel-chrome plating (silver)
: 109-139H : Cation electropainting (black)

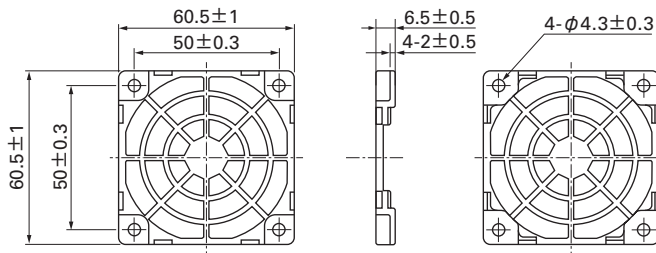


Mass : 14.5g

Options (unit : mm)

Resin Finger Guards

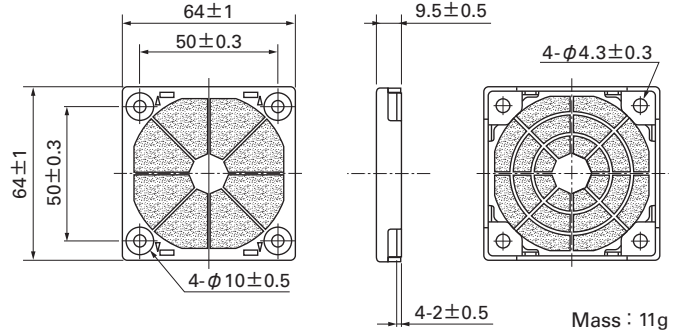
Model : 109-1003G



Mass : 7g

Resin Filter Kits

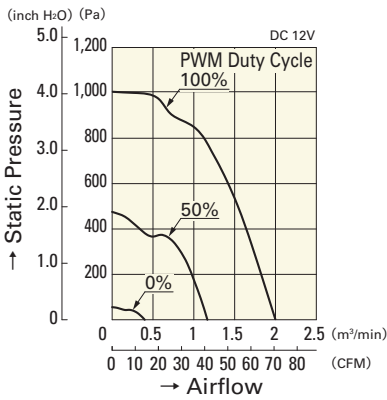
Model : 109-1003F13 (13PPI), 109-1003F20 (20PPI)
: 109-1003F30 (30PPI), 109-1003F40 (40PPI)



Mass : 11g

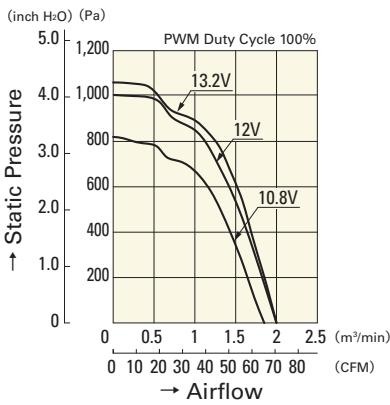
Airflow - Static Pressure Characteristics

PWM Duty Cycle



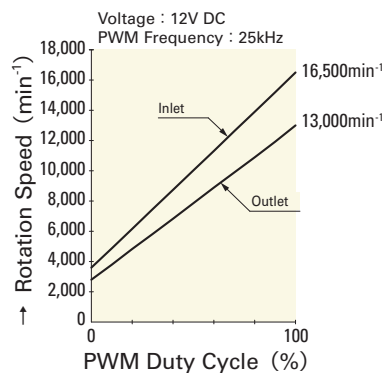
9CRL0612P0G001

Operating Voltage Range



9CRL0612P0G001

PWM Duty - Speed Characteristics Example



9CRL0612P0G001