

40mm sq.

San Ace 40L

28mm thick (9L type)



General Specifications

- Material Frame: Aluminum, Impeller: Plastics (Flammability: UL94V-0)
- Expected Life Refer to specifications (L10:Survival rate: 90% at 60°C , rated voltage, and continuously run in a free air state)
- Lead Wire ⊕red ⊖black (Sensor) yellow
- Storage Temperature -30°C to +70°C (Non-condensing)

40×40×28mm (Mass : 55g) **9L type**

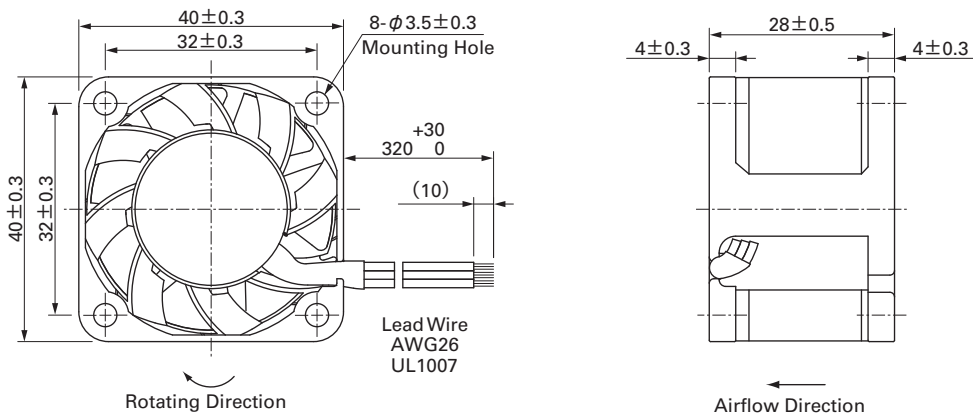
Specifications

The following nos. **have pulse sensors.**

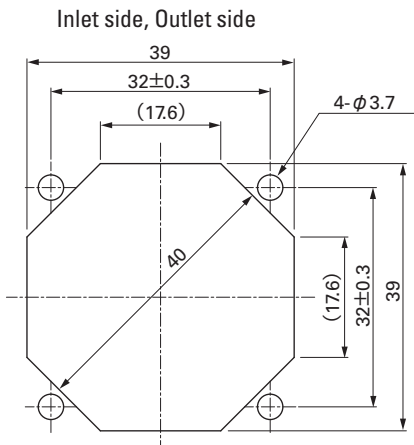
Model No.	Rated Voltage [V]	Operating Voltage Range [V]	Rated Current [A]	Rated Input [W]	Rated Speed [min ⁻¹]	Max. Airflow [m ³ /min] [CFM]	Max. Static Pressure [Pa] [inchH ₂ O]	SPL [dB(A)]	Operating Temperature [°C]	Expected Life [h]
9L0412J301	12	10.2 to 13.8	0.31	3.72	11,700	0.52 18.4	206 0.827	48	-20 to +70	100,000
9L0412H301			0.15	1.80	8,400	0.37 13.1	106 0.426	40		
9L0412M301			0.045	0.54	4,000	0.16 5.65	24 0.096	19		

Some models can also be equipped without sensors as an option. Please refer to the index (pp. 417 to 437).

Dimensions (unit : mm)



Reference Dimension of Mounting Holes and Vent Opening (unit : mm)



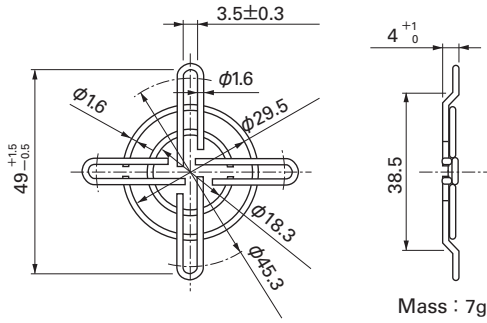
Options (unit : mm)

Finger Guards

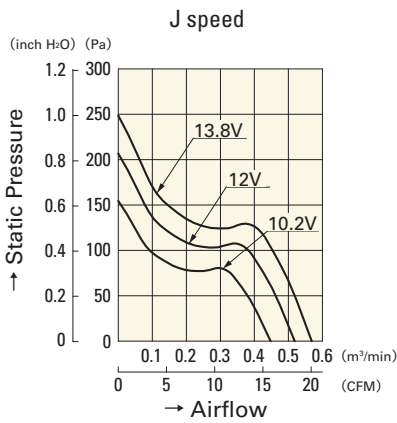
Model : 109-059 Surface treatment : Nickel-chrome plating (silver)
 : 109-059H : Cation electropainting (black)

Color

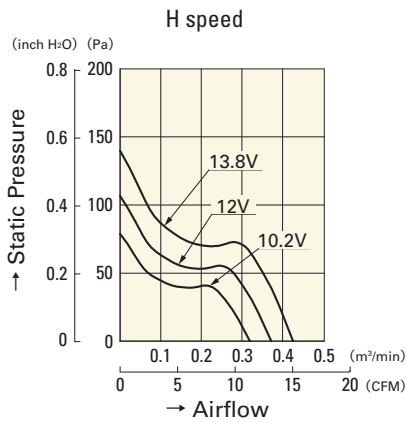
Inlet side, Outlet side



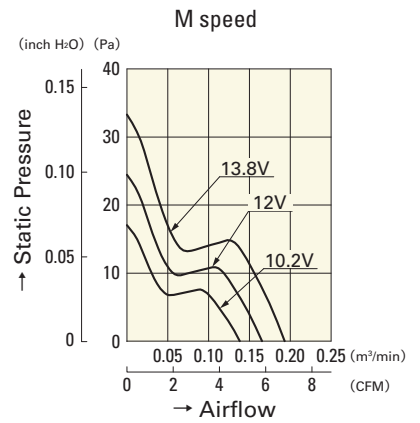
Airflow - Static Pressure Characteristics



9L0412J301



9L0412H301



9L0412M301