

**92**mm sq.

# San Ace 92WF

25mm thick (9WF type), 32mm thick (9WF type)



## General Specifications

- Material ..... Frame: Plastics (Flammability: UL94V-0),  
Impeller: Plastics (Flammability: UL94V-0)
- Expected Life ..... Refer to specifications (L10:Survival rate: 90% at 60°C ,  
rated voltage, and continuously run in a free air state)
- Lead Wire ..... ⊕red ⊖black (Sensor) yellow
- Storage Temperature ..... -30°C to +70°C (Non-condensing)

The product can be used in an oil mist environment\*

\*Environment where machining oil mist is scattered.  
Usage of this product requires an evaluation with the oil that will be used.

**92×92×25mm** [Mass : 120g] **9WF type**

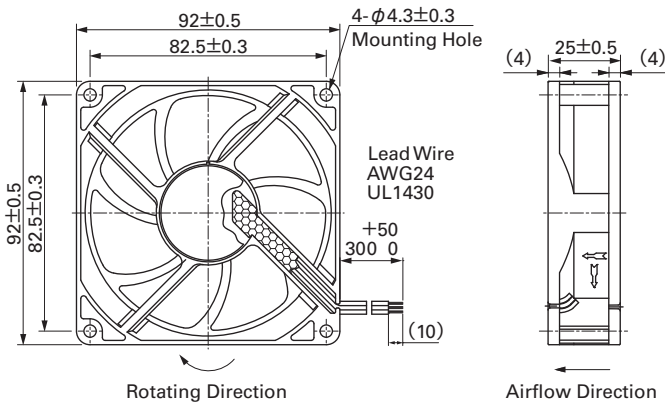
## Specifications

The following nos. **have pulse sensors and ribs.**

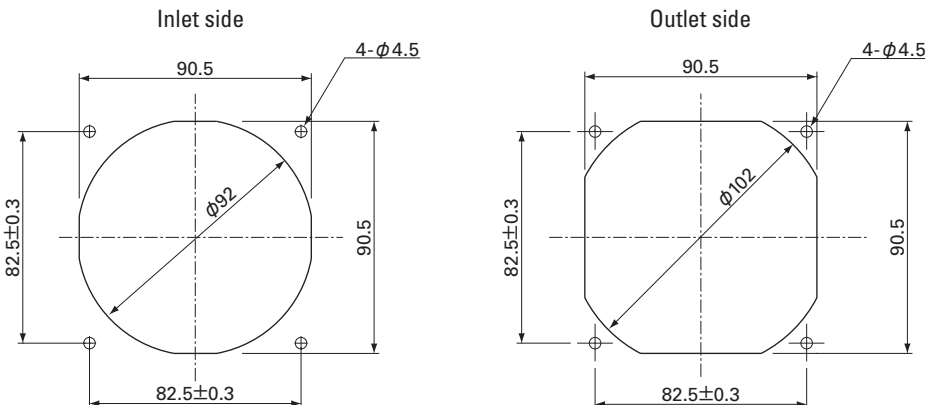
Model No.	Rated Voltage [V]	Operating Voltage Range [V]	Rated Current [A]	Rated Input [W]	Rated Speed [min <sup>-1</sup> ]	Max. Airflow [m <sup>3</sup> /min] [CFM]	Max. Static Pressure [Pa] [inchH <sub>2</sub> O]	SPL [dB(A)]	Operating Temperature [°C]	Expected Life [h]
<b>9WF0924H401</b>	24	20.4 to 27.6	0.13	3.12	3,900	1.45 51.2	66 0.26	42.5	-20 to +70	40,000

Some models can also be equipped without sensors as an option. Please refer to the index (pp. 417 to 437).

## Dimensions (unit : mm)



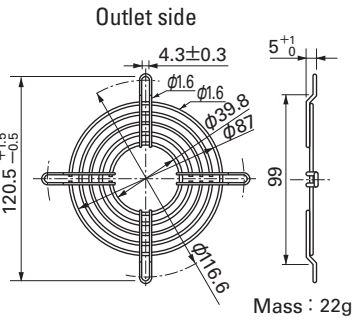
## Reference Dimension of Mounting Holes and Vent Opening (unit : mm)



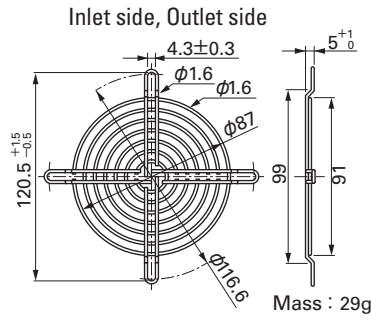
## Options (unit : mm)

### Finger Guards

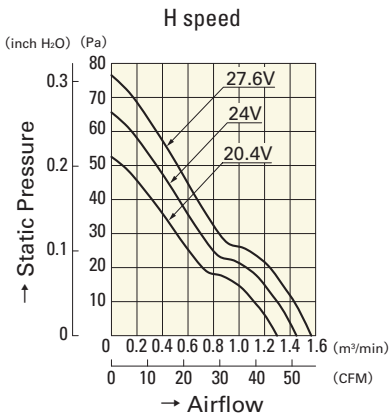
Model : 109-099C Surface treatment : Nickel-chrome plating (silver) Color



Model : 109-099E Surface treatment : Nickel-chrome plating (silver) Color  
: 109-099H : Cation electropainting (black)



## Airflow - Static Pressure Characteristics



**9WF0924H401**