

92mm sq.

San Ace 92WF

25mm thick (9WF type), 32mm thick (9WF type)



General Specifications

- Material Frame: Plastics (Flammability: UL94V-0),
Impeller: Plastics (Flammability: UL94V-0)
- Expected Life Refer to specifications (L10:Survival rate: 90% at 60°C ,
rated voltage, and continuously run in a free air state)
- Lead Wire ⊕red ⊖black (Sensor) yellow
- Storage Temperature -30°C to +70°C (Non-condensing)

The product can be used in an oil mist environment*

*Environment where machining oil mist is scattered.
Usage of this product requires an evaluation with the oil that will be used.

92×92×32mm (Mass : 185g) **9WF type**

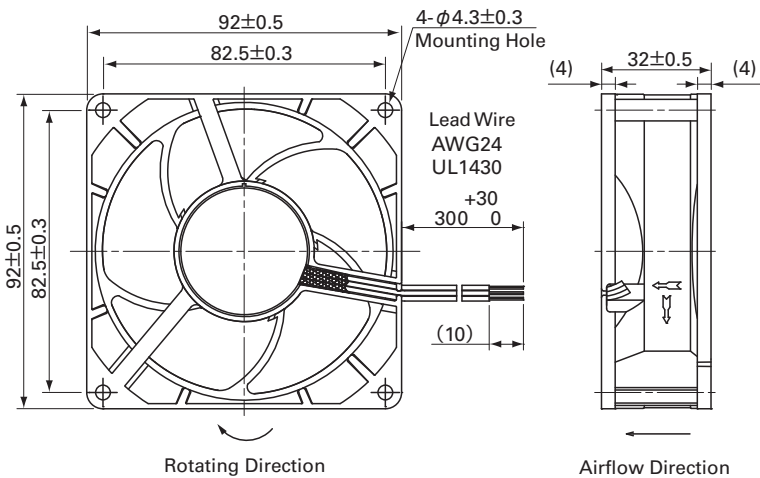
Specifications

The following nos. **have pulse sensors and ribs.**

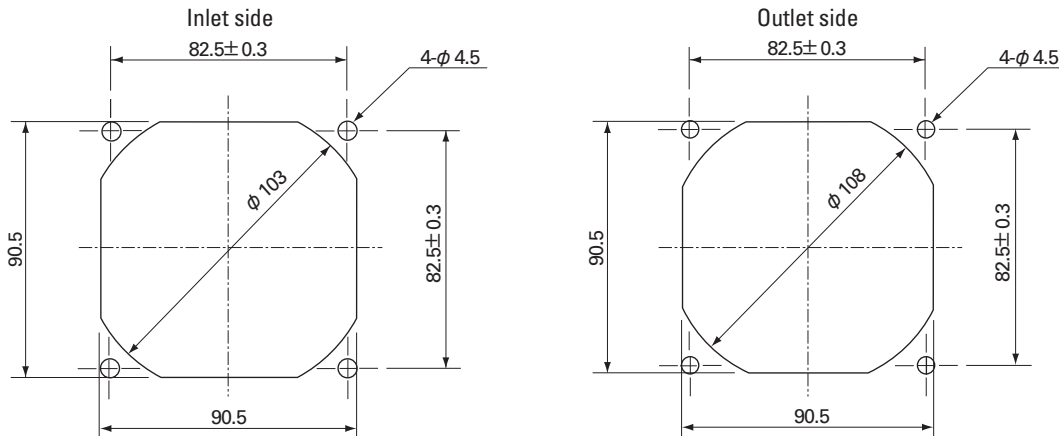
Model No.	Rated Voltage [V]	Operating Voltage Range [V]	Rated Current [A]	Rated Input [W]	Rated Speed [min ⁻¹]	Max. Airflow [m ³ /min] [CFM]	Max. Static Pressure [Pa] [inchH ₂ O]	SPL [dB(A)]	Operating Temperature [°C]	Expected Life [h]
9WF0924S201	24	20.4 to 27.6	0.5	12	7,300	2.8 98.9	255 1.02	58	-20 to +70	40,000
9WF0924H201			0.35	8.4	6,500	2.45 86.5	200 0.8	56		

Some models can also be equipped without sensors as an option. Please refer to the index (pp. 417 to 437).

Dimensions (unit : mm)



Reference Dimension of Mounting Holes and Vent Opening (unit : mm)

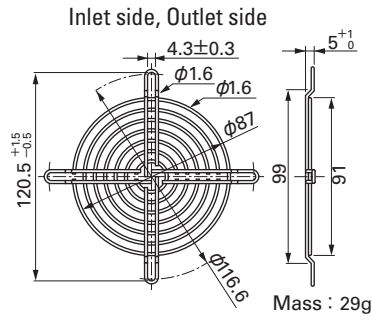
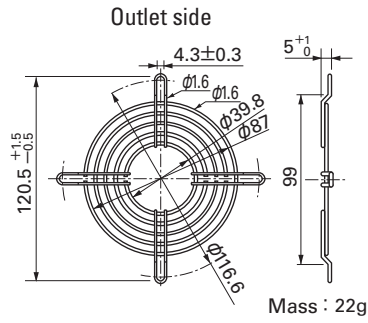


Options (unit : mm)

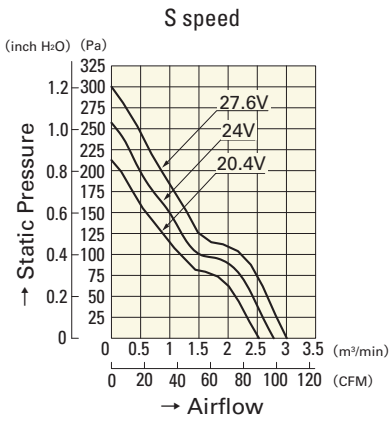
Finger Guards

Model : 109-099C Surface treatment : Nickel-chrome plating (silver) Color

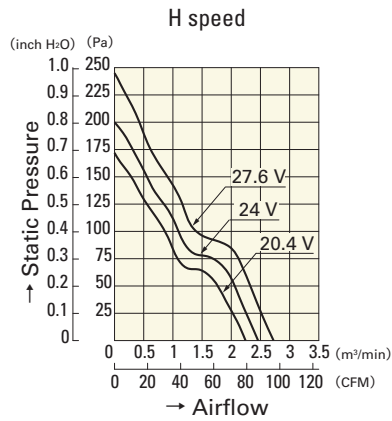
Model : 109-099E Surface treatment : Nickel-chrome plating (silver) Color
: 109-099H : Cation electropainting (black)



Airflow - Static Pressure Characteristics



9WF0924S201



9WF0924H201