

φ 100mm

San Ace 100W

25mm thick (9W type)



General Specifications

- Material Motor case: Aluminum (Black coating),
Impeller: Plastics (Flammability: UL94V-0)
- Expected Life Refer to specifications (Indoor, L10:Survival rate: 90% at 60°C, rated voltage, and continuously run in a free air state)
- Lead Wire ⊕red ⊖black (Sensor) yellow (Control) brown
- Storage Temperature -30°C to +70°C (Non-condensing)

φ 100mm × 25mm (Mass : 160g) **IP 54** **9W type**

Specifications When our inlet nozzle [Option (Model : 109-1080)] is mounted. The following nos. **have PWM controls and pulse sensors.**

Model No.	Rated Voltage [V]	Operating Voltage Range [V]	PWM duty cycle [※] [%]	Rated Current [A]	Rated Input [W]	Rated Speed [min ⁻¹]	Max. Airflow [m ³ /min] [CFM]	Max. Static Pressure [Pa] [inchH ₂ O]	SPL [dB(A)]	Operating Temperature [°C]	Expected Life ^(h_{50%}) [h]
9W1TM48P4G01	48	36 to 60	100 ^{Note1)}	0.36	17.28	7,400	2.03 71.7	708 2.84	65	-20 to +70	40,000/60°C (70,000/40°C)
9W1TM48P4H01			100	0.22	10.56	6,400	1.77 62.5	560 2.25	60		
			0	0.04	1.92	2,000	0.51 18.0	48 0.19	34		

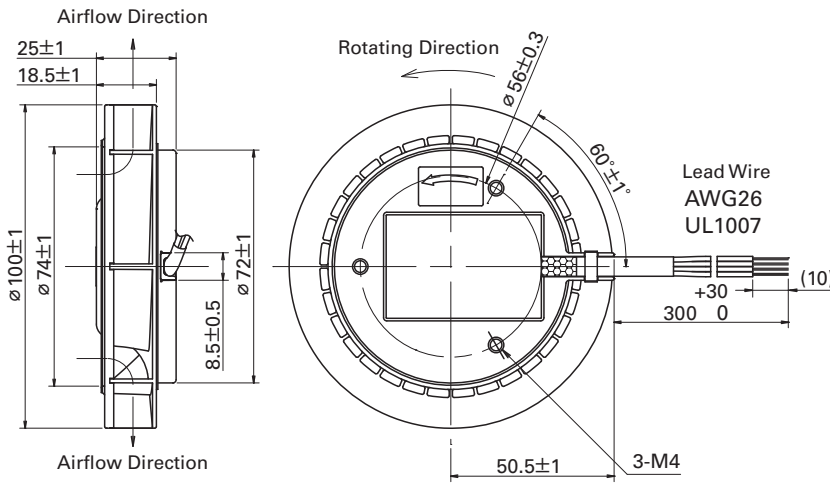
Note 1: Fan does not rotate when PWM duty cycle is 0%.

Note 2: Expected life at 40°C ambient is just reference value.

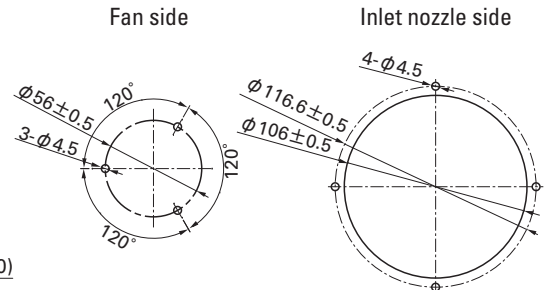
Max input is 9W1TM48P4G01 : 22W, 9W1TM48P4H01 : 14W at rated voltage.

※ PWM Frequency : 25kHz

Dimensions (unit : mm)



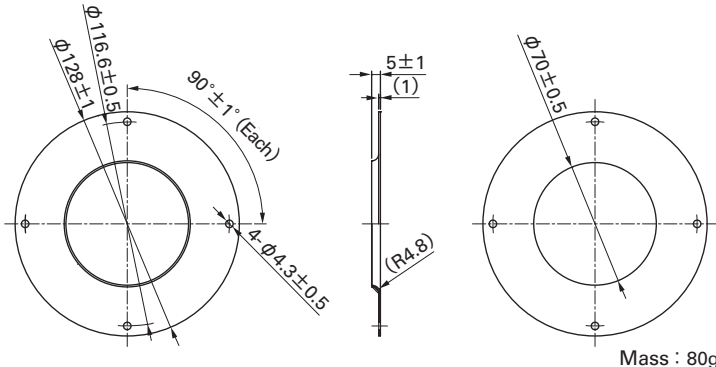
Reference Dimension of Mounting Holes and Vent Opening (unit : mm)



Options (unit : mm)

Inlet Nozzle

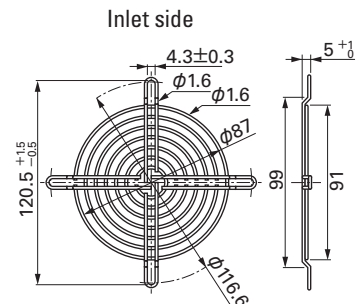
Model : 109-1080



Mass : 80g

Finger Guards

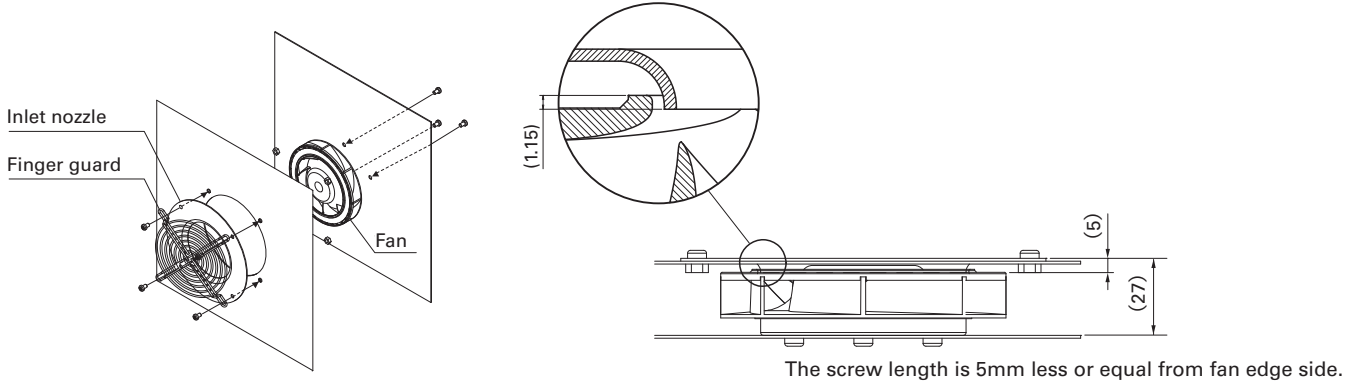
Model : 109-099E Surface treatment : Nickel-chrome plating (silver)
: 109-099H : Cation electropainting (black)



Mass : 29g

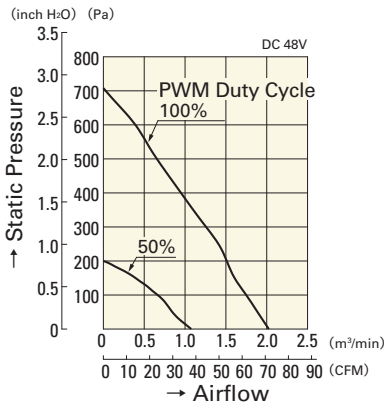
Inlet nozzle : Nozzle mounted in fan inlet side to adjust the flow of introduced air

Reference Diagram for Mounting

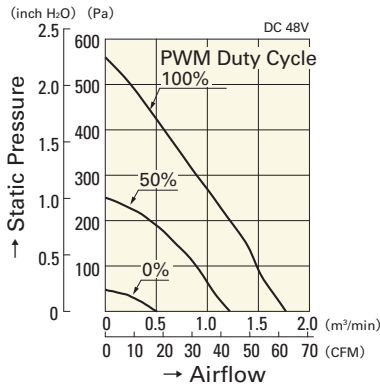


Airflow - Static Pressure Characteristics

PWM Duty Cycle

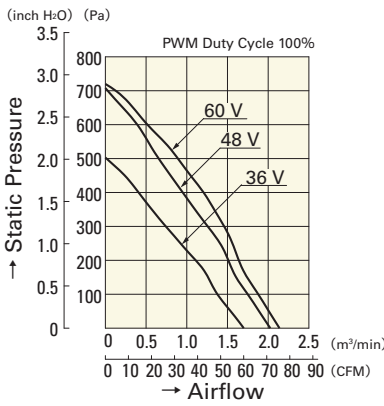


9W1TM48P4G01

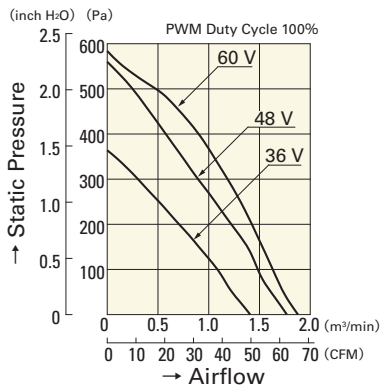


9W1TM48P4H01

Operating Voltage Range

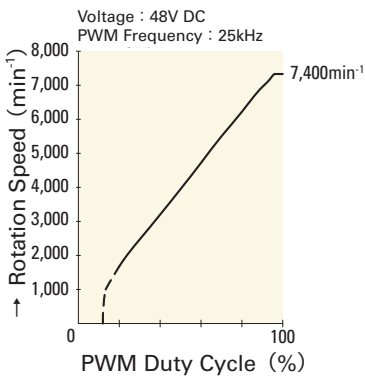


9W1TM48P4G01

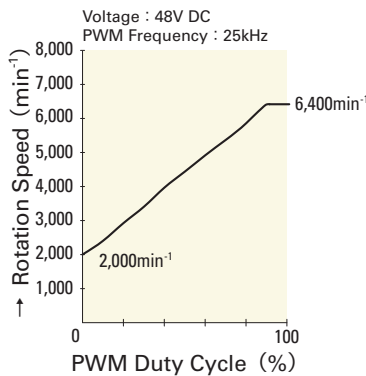


9W1TM48P4H01

PWM Duty - Speed Characteristics Example



9W1TM48P4G01



9W1TM48P4H01