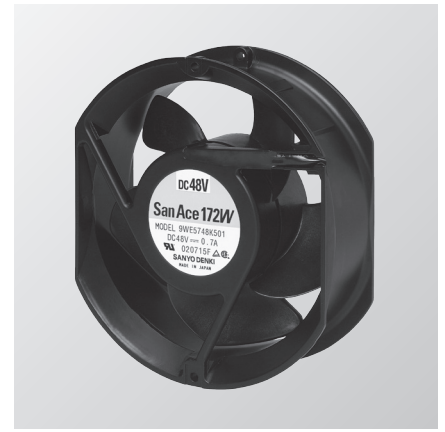


φ 172mm

San Ace 172W

51mm thick (Sidecut type 9WG type)
 51mm thick (Sidecut type 9WE type)
 51mm thick (Round type 9WE type)



General Specifications

- Material Frame: Aluminum, Impeller: Plastics (Flammability: UL94V-1)
- Expected Life Refer to specifications (Indoor, L10:Survival rate: 90% at 60°C, rated voltage, and continuously run in a free air state)
- Lead Wire ⊕red ⊖black or blue (Sensor) yellow
- Storage Temperature -30°C to +70°C (Non-condensing)

φ 172mm × 150mm × 51mm (Mass : 860g) **IP 68** **9WE type** **Sidecut type**

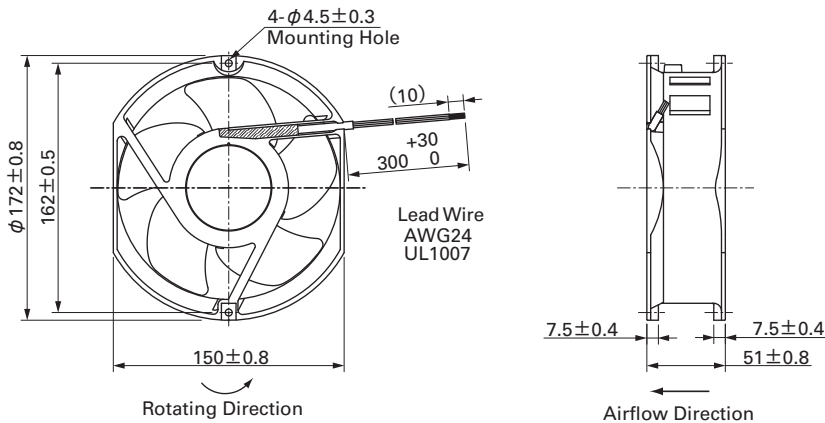
Specifications

The following nos. **have pulse sensors.**

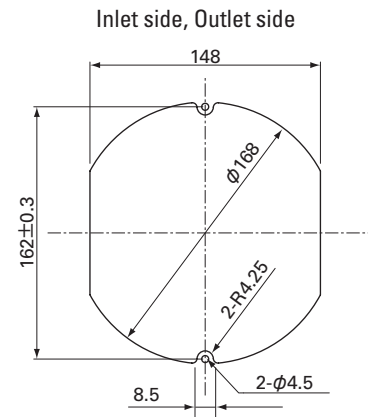
Model No.	Rated Voltage [V]	Operating Voltage Range [V]	Rated Current [A]	Rated Input [W]	Rated Speed [min ⁻¹]	Max. Airflow [m ³ /min] [CFM]	Max. Static Pressure [Pa] [inchH ₂ O]	SPL [dB(A)]	Operating Temperature [°C]	Expected Life [h]
9WE5724K501	24	20.4 to 27.6	1.3	31.2	4,100	8.5 300	243 0.976	60	- 20 to + 60	40,000
9WE5748K501	48	40.8 to 55.2	0.7	33.6	4,100	8.5 300	243 0.976	60		40,000

Some models can also be equipped without sensors or with PWM control functions as an option. Please refer to the index (pp. 417 to 437).

Dimensions (unit : mm)



Reference Dimension of Mounting Holes and Vent Opening (unit : mm)

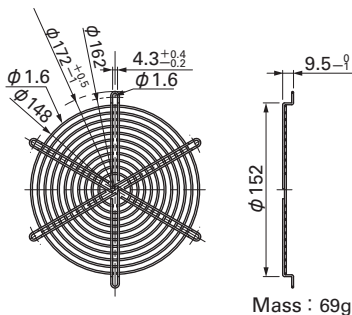


Options (unit : mm)

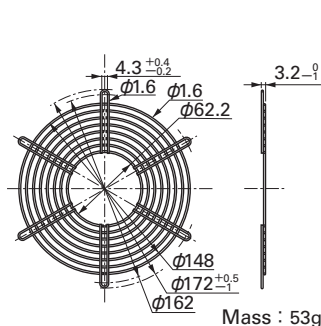
Finger Guards

Model : 109-319E Surface treatment : Nickel-chrome plating (silver) Color : 109-319H : Cation electropainting (black) Model : 109-320 Surface treatment : Nickel-chrome plating (silver) Color

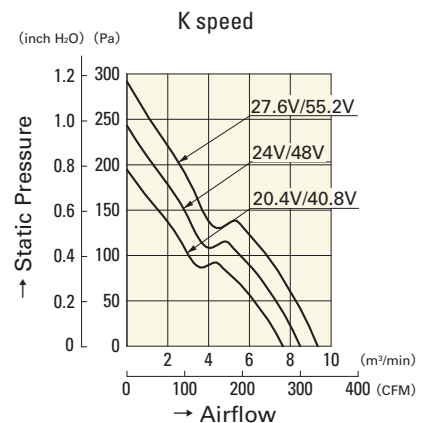
Inlet side, Outlet side



Outlet side



Airflow - Static Pressure Characteristics



9WE5724K501
9WE5748K501