

φ172mm

San Ace 172

- 25mm thick (Sidecut type 9E type)
- 51mm thick (Sidecut type 9SG type)
- 51mm thick (Sidecut type 9GV type)
- 51mm thick (Sidecut type 9E type)
- 51mm thick (Round type 9E type)



General Specifications

- Material Frame: Aluminum, Impeller: Plastics (Flammability: UL94V-1)
- Expected Life Refer to specifications (L10:Survival rate:90% at 60°C , rated voltage, and continuously run in a free air state)
- Lead Wire ⊕red ⊖black or blue (Sensor) yellow
- Storage Temperature -30°C to +70°C (Non-condensing)

φ172mm×51mm (Mass : 780g) **9E type** **Round type**

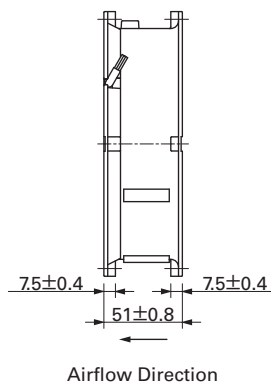
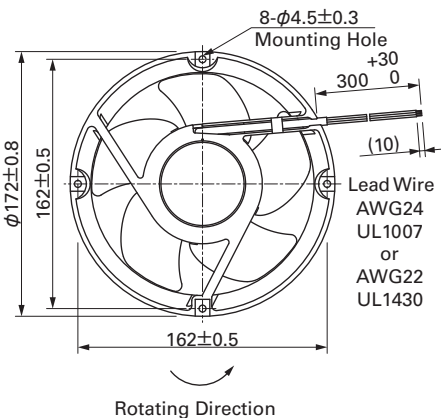
Specifications

The following nos. **have pulse sensors.**

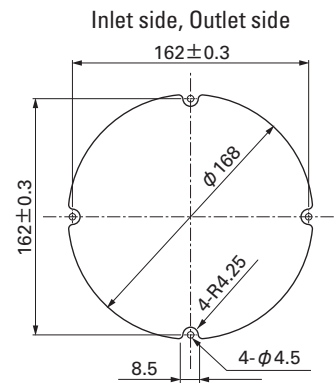
Model No.	Rated Voltage [V]	Operating Voltage Range [V]	Rated Current [A]	Rated Input [W]	Rated Speed [min ⁻¹]	Max. Airflow [m ³ /min] [CFM]	Max. Static Pressure [Pa] [inchH ₂ O]	SPL [dB(A)]	Operating Temperature [°C]	Expected Life [h]
109E1712K501	12	10.2 to 13.8	2.9	34.8	4,100	8.5 300	243.0 0.976	55	-20 to +60	40,000
109E1712Y501			2.3	27.6	3,800	7.8 276	210.0 0.843	53		
109E1712H501			1.2	14.4	3,050	6.4 226	137.2 0.551	47		
109E1712F501			0.9	10.8	2,500	5.1 180	95.0 0.382	42		
109E1712M501			0.48	5.76	2,000	4.2 148	67.6 0.271	36		
109E1724C501	24	20.4 to 27.6	2.3	55.2	4,800	9.9 350	308.0 1.237	60	-20 to +70	
109E1724K501			1.3	31.2	4,100	8.5 300	243.0 0.976	55		
109E1724H501			0.58	13.92	3,050	6.4 226	137.2 0.551	47		
109E1724F501			0.35	8.4	2,500	5.1 180	95 0.382	42		
109E1724M501			0.2	4.8	2,000	4.2 148	67.6 0.271	36		
109E1748C501	48	40.8 to 55.2	1.2	57.6	4,800	9.9 350	308.0 1.237	60	-20 to +70	
109E1748K501			0.7	33.6	4,100	8.5 300	243.0 0.976	55		
109E1748H501			0.28	13.44	3,050	6.4 226	137.2 0.551	47		
109E1748F501			0.19	9.12	2,500	5.1 180	95 0.382	42		
109E1748M501			0.11	5.28	2,000	4.2 148	67.6 0.271	36		

Some models can also be equipped without sensors or with PWM control functions as an option. Please refer to the index (pp. 417 to 437).

Dimensions (unit : mm)



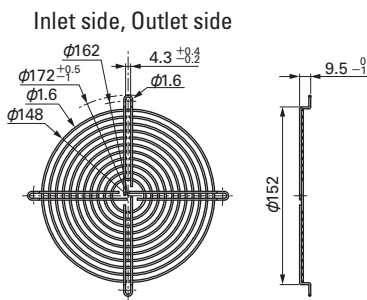
Reference Dimension of Mounting Holes and Vent Opening (unit : mm)



Options (unit : mm)

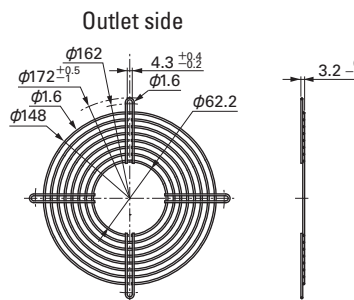
Finger Guards

Model : 109-1066 Surface treatment : Nickel-chrome plating (silver) Color (silver)



Mass : 61g

Model : 109-1068 Surface treatment : Nickel-chrome plating (silver) Color (silver)



Mass : 54g

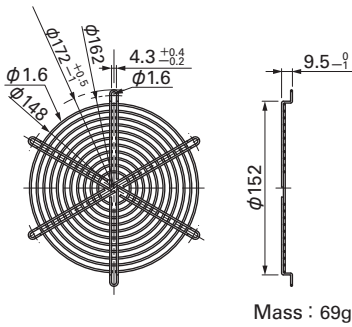
Options (unit : mm)

Finger Guards

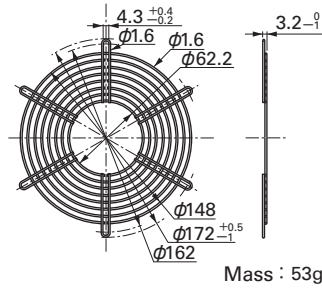
Model : 109-319E Surface treatment : Nickel-chrome plating (silver)
 : 109-319H : Cation electropainting (black)

Model : 109-320 Surface treatment : Nickel-chrome plating (silver)

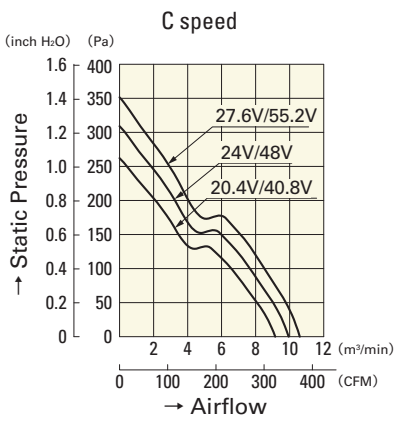
Inlet side, Outlet side



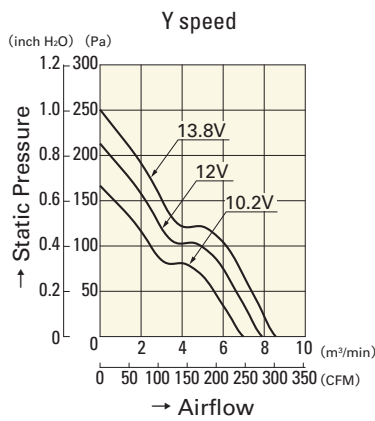
Outlet side



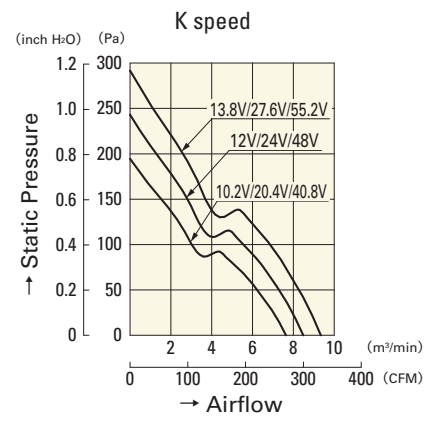
Airflow - Static Pressure Characteristics



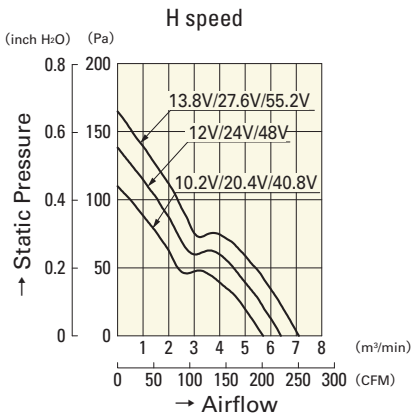
109E1724C501
109E1748C501



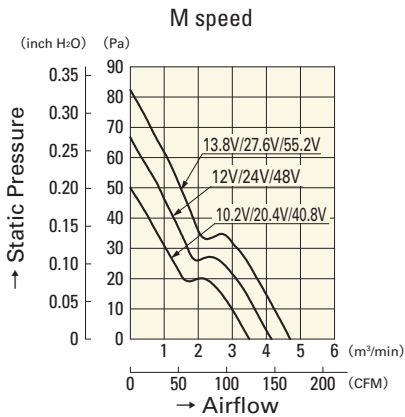
109E1712Y501



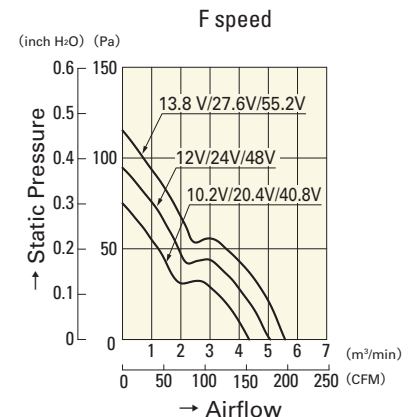
109E1712K501
109E1724K501
109E1748K501



109E1712H501
109E1724H501
109E1748H501



109E1712M501
109E1724M501
109E1748M501



109E1712F501
109E1724F501
109E1748F501