

φ172mm

San Ace 172

- 25mm thick (Sidecut type 9E type)
- 51mm thick (Sidecut type 9SG type)
- 51mm thick (Sidecut type 9GV type)
- 51mm thick (Sidecut type 9E type)
- 51mm thick (Round type 9E type)



General Specifications

- Material Frame: Aluminum, Impeller: Plastics (Flammability: UL94V-1)
- Expected Life Refer to specifications (L10:Survival rate:90% at 60°C , rated voltage, and continuously run in a free air state)
- Lead Wire ⊕red ⊖black or blue (Sensor) yellow
- Storage Temperature -30°C to +70°C (Non-condensing)

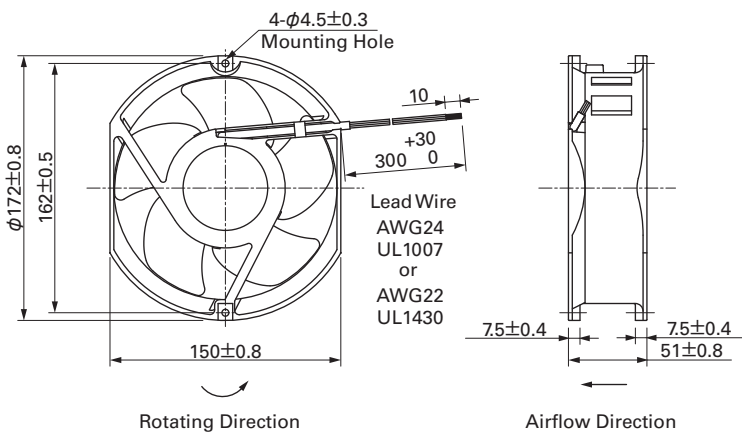
φ172mm × 150mm × 51mm (Mass : 760g) **9E type Sidecut type**

Specifications The following nos. have pulse sensors.

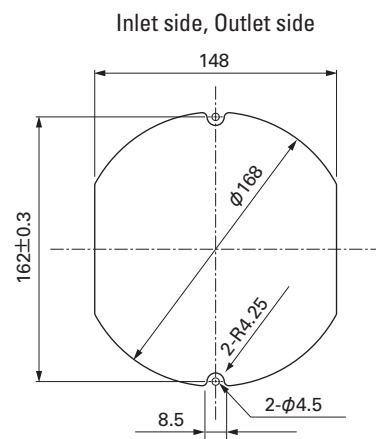
Model No.	Rated Voltage [V]	Operating Voltage Range [V]	Rated Current [A]	Rated Input [W]	Rated Speed [min ⁻¹]	Max. Airflow [m ³ /min] [CFM]	Max. Static Pressure [Pa] [inchH ₂ O]	SPL [dB(A)]	Operating Temperature [°C]	Expected Life [h]
109E5712K501	12	10.2 to 13.8	2.9	34.8	4,100	8.5 300	243.0 0.976	60	-20 to +60	40,000
109E5712Y501			2.3	27.6	3,800	8 282	210 0.84	60		
109E5712H501			1.2	14.4	3,050	6.4 226	137.2 0.551	52	-20 to +70	
109E5712F501			0.68	8.16	2,500	5.1 180	95 0.38	47		
109E5712M501			0.48	5.76	2,000	4.2 148	67.6 0.271	41		
109E5724C501	24	20.4 to 27.6	2.3	55.2	4,800	9.9 350	308.0 1.237	66	-20 to +70	
109E5724K501			1.3	31.2	4,100	8.5 300	243.0 0.976	60		
109E5724H501			0.58	13.92	3,050	6.4 226	137.2 0.551	52		
109E5724F501			0.35	8.4	2,500	5.1 180	95 0.38	47		
109E5724M501			0.2	4.8	2,000	4.2 148	67.6 0.271	41		
109E5748C501	48	40.8 to 55.2	1.2	57.6	4,800	9.9 350	308.0 1.237	66	-20 to +60	
109E5748K501			0.7	33.6	4,100	8.5 300	243.0 0.976	60		
109E5748H501			0.28	13.44	3,050	6.4 226	137.2 0.551	52	-20 to +70	
109E5748F501			0.19	9.12	2,500	5.1 180	95 0.38	47		
109E5748M501			0.11	5.28	2,000	4.2 148	67.6 0.271	41		

Some models can also be equipped without sensors or with PWM control functions as an option. Please refer to the index (pp. 417 to 437).

Dimensions (unit : mm)



Reference Dimension of Mounting Holes and Vent Opening (unit : mm)



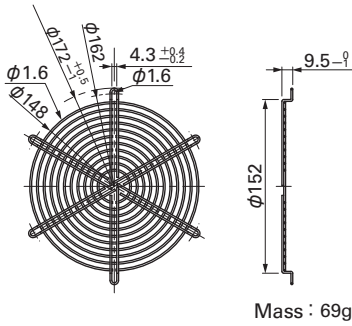
Options (unit : mm)

Finger Guards

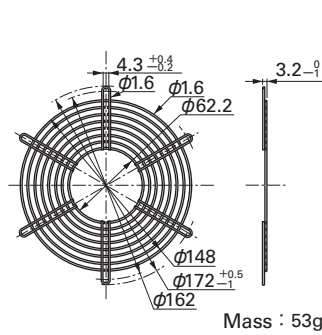
Model : 109-319E Surface treatment : Nickel-chrome plating (silver) Color : 109-319H : Cation electropainting (black)

Model : 109-320 Surface treatment : Nickel-chrome plating (silver) Color

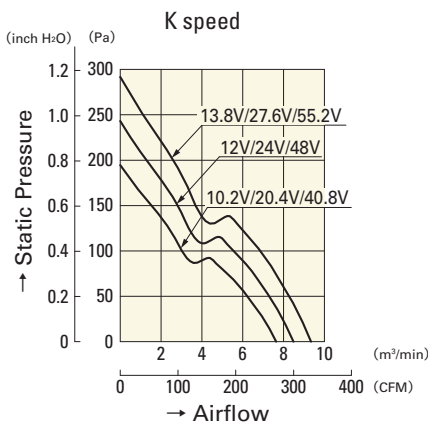
Inlet side, Outlet side



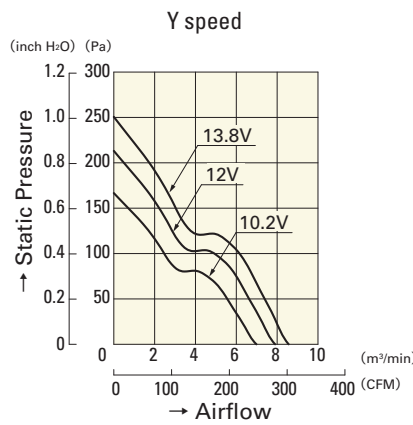
Outlet side



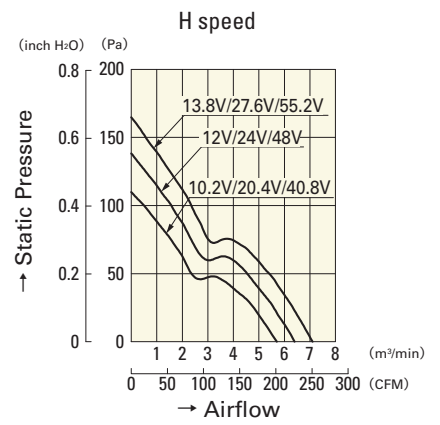
Airflow - Static Pressure Characteristics



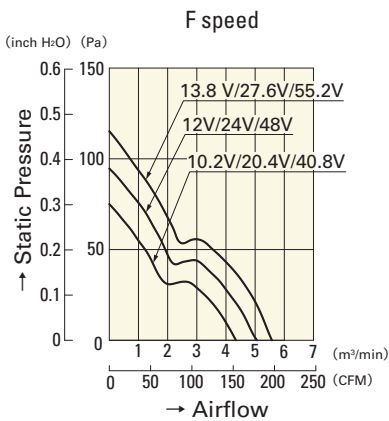
- 109E5712K501**
- 109E5724K501**
- 109E5748K501**



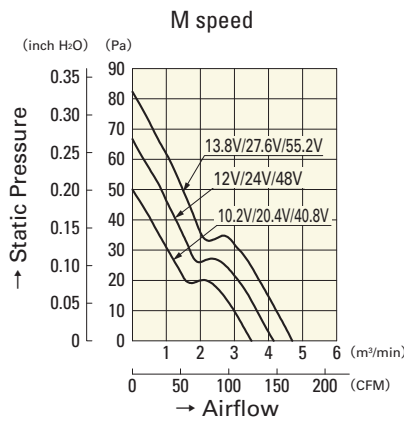
- 109E5712Y501**



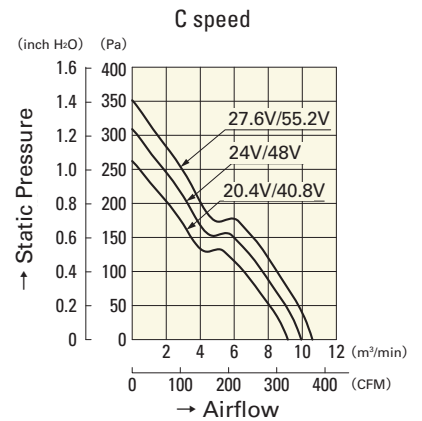
- 109E5712H501**
- 109E5724H501**
- 109E5748H501**



- 109E5712F501**
- 109E5724F501**
- 109E5748F501**



- 109E5712M501**
- 109E5724M501**
- 109E5748M501**



- 109E5724C501**
- 109E5748C501**