

150mm sq.

San Ace 150

50mm thick (9GV type)



General Specifications

- Material Frame: Plastics (Flammability: UL94V-0),
Impeller: Plastics (Flammability: UL94V-1)
- Expected Life Refer to specifications (L10:Survival rate:90% at 60°C ,
rated voltage, and continuously run in a free air state)
- Lead Wire ⊕red ⊖black or blue (Sensor) yellow
- Storage Temperature -30°C to +70°C (Non-condensing)

150×150×50mm (Mass : 450g) **9GV type** 

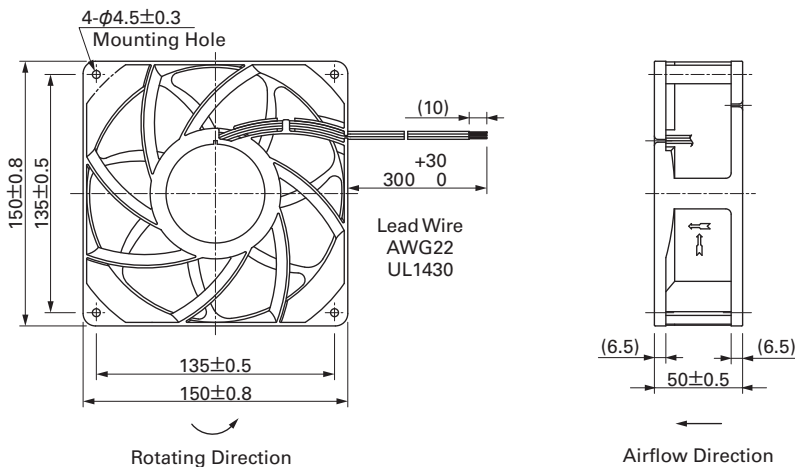
Specifications

The following nos. **have pulse sensors and ribs.** For ribless, append "1" to the model no.

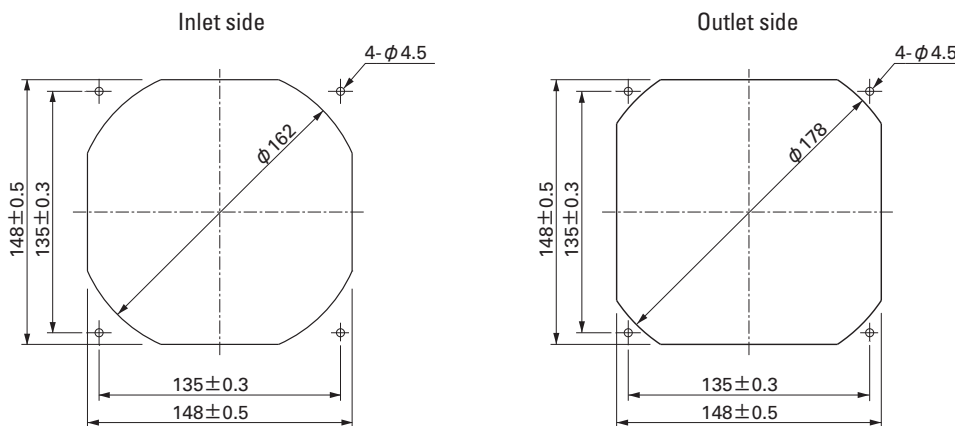
Model No.	Rated Voltage [V]	Operating Voltage Range [V]	Rated Current [A]	Rated Input [W]	Rated Speed [min ⁻¹]	Max. Airflow [m ³ /min] [CFM]	Max. Static Pressure [Pa] [inchH ₂ O]	SPL [dB(A)]	Operating Temperature [°C]	Expected Life [h]
9GV1512H501	12	10.2 to 13.8	2.9	34.8	3,900	8.54	300	210	0.84	61
9GV1512M501			1.2	14.4	3,000	6.35	224	132	0.53	53
9GV1524M501	24	20.4 to 27.6	0.6	14.4	3,000	6.35	224	132	0.53	53

Some models can also be equipped without sensors or with PWM control functions as an option. Please refer to the index (pp. 417 to 437).

Dimensions (unit : mm) (With ribs)



Reference Dimension of Mounting Holes and Vent Opening (unit : mm)



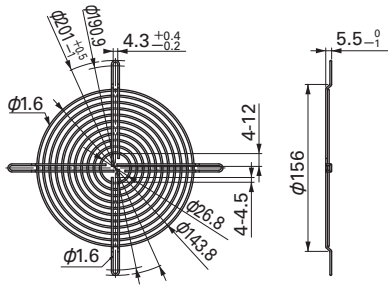
Options (unit : mm)

Finger Guards

Model : 109-1051 Surface treatment : Nickel-chrome plating (silver) Color

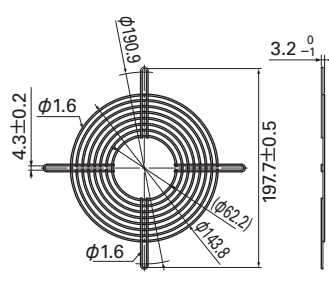
Model : 109-1052 Surface treatment : Nickel-chrome plating (silver) Color

Inlet side, Outlet side



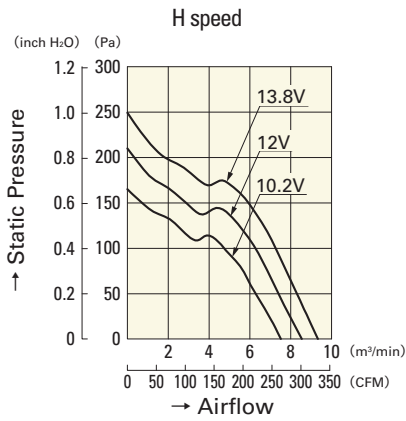
Mass : 63g

Outlet side

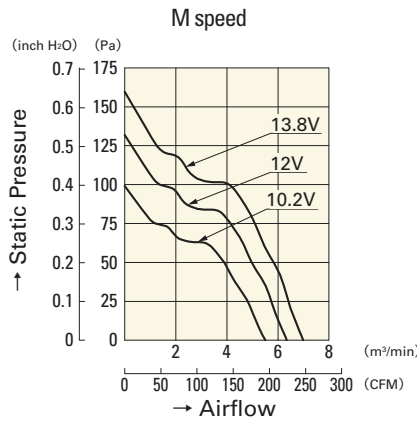


Mass : 53g

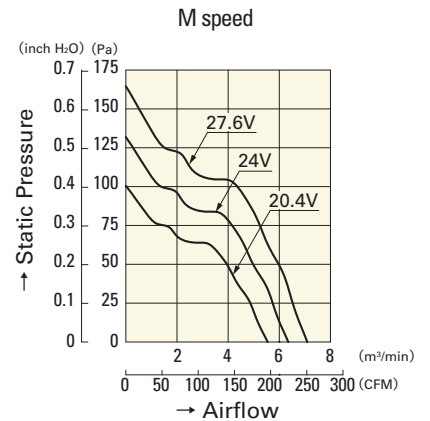
Airflow - Static Pressure Characteristics



9GV1512H501



9GV1512M501



9GV1524M501