

**127** mm sq.

# San Ace 127

38mm thick (9P type), 38mm thick (9E type)



## General Specifications

- Material ..... Frame: Plastics (Flammability: UL94V-0),  
Impeller: Plastics (Flammability: UL94V-1)
- Expected Life ..... Refer to specifications (L10:Survival rate:90% at 60°C ,  
rated voltage, and continuously run in a free air state)
- Lead Wire ..... ⊕red ⊖black or blue (Sensor) yellow
- Storage Temperature ..... -30°C to +70°C (Non-condensing)

**127×127×38mm** (Mass : 350g) **9P type**

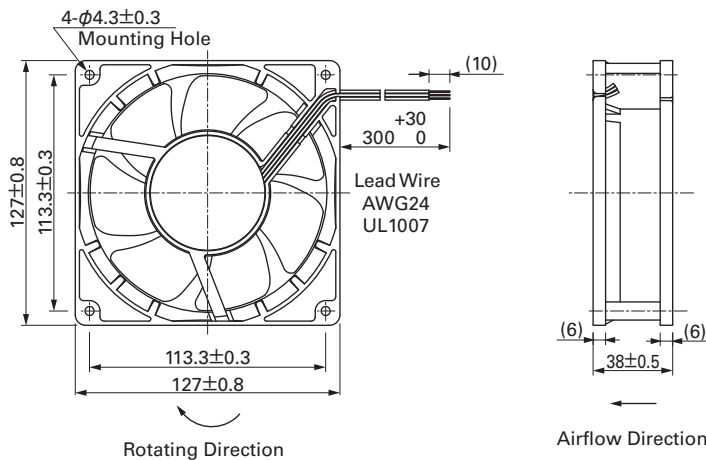
## Specifications

The following nos. **have pulse sensors and ribs**. For ribless, append "1" to the model no.

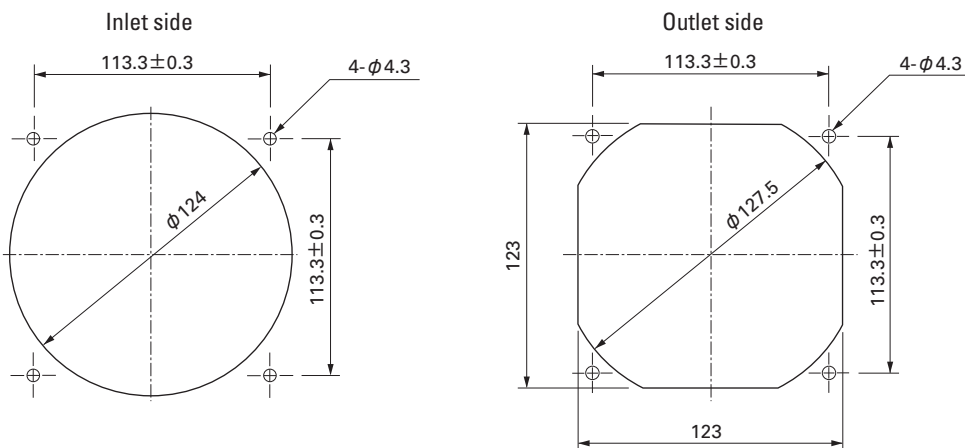
Model No.	Rated Voltage [V]	Operating Voltage Range [V]	Rated Current [A]	Rated Input [W]	Rated Speed [min <sup>-1</sup> ]	Max. Airflow [m <sup>3</sup> /min] [CFM]	Max. Static Pressure [Pa] [inchH <sub>2</sub> O]	SPL [dB(A)]	Operating Temperature [°C]	Expected Life [h]
109P1312S101	12	10.2 to 13.8	1.3	15.6	3,300	4.2 148	117.6 0.472	47	-20 to +60	40,000
109P1312H101			0.82	9.84	2,950	3.8 134	98 0.394	45		
109P1324S101	24	20.4 to 27.6	0.55	13.2	3,300	4.2 148	117.6 0.472	47		
109P1324H101			0.41	9.84	2,950	3.8 134	98 0.394	45		
109P1348S101	48	40.8 to 55.2	0.3	14.4	3,300	4.2 148	117.6 0.472	47		
109P1348H101			0.2	9.6	2,950	3.8 134	98 0.394	45		

Some models can also be equipped without sensors as an option. Please refer to the index (pp. 417 to 437).

## Dimensions (unit : mm) (With ribs)



## Reference Dimension of Mounting Holes and Vent Opening (unit : mm)

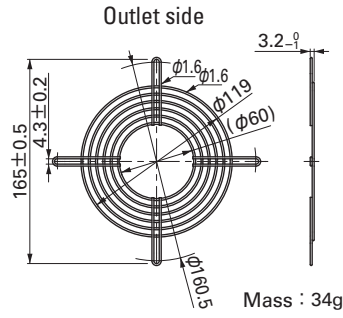
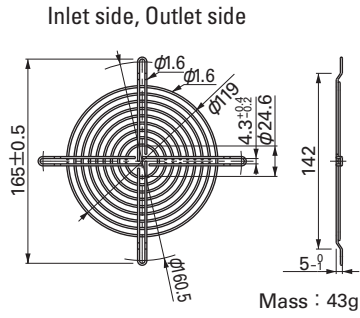


Options (unit : mm)

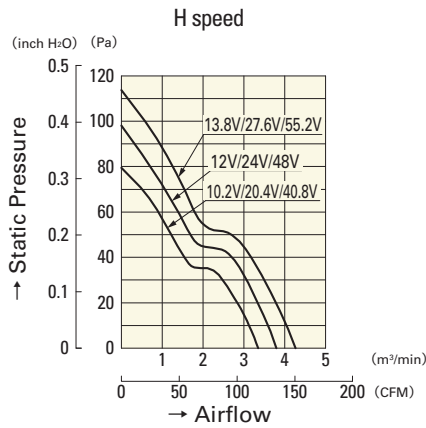
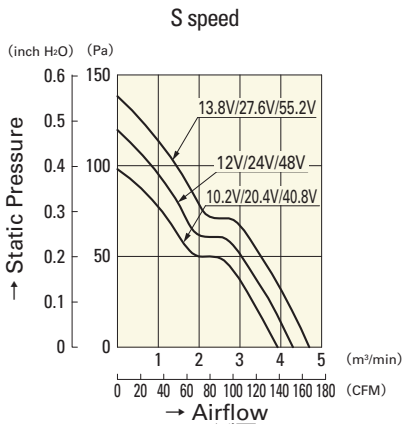
Finger Guards

Model : 109-722 Surface treatment : Nickel-chrome plating (silver) Color

Model : 109-723 Surface treatment : Nickel-chrome plating (silver) Color



Airflow - Static Pressure Characteristics



- 109P1312S101
- 109P1324S101
- 109P1348S101

- 109P1312H101
- 109P1324H101
- 109P1348H101