

**120**mm sq.

# San Ace 120

25mm thick (9S type), 25mm thick (9GV type)  
 25mm thick (9G type), 38mm thick (9HV type)  
 38mm thick (9GV type), 38mm thick (9G type)  
 38mm thick (9SG type)



## General Specifications

- Material ..... Frame: Plastics (Flammability: UL94V-0),  
 Impeller: Plastics (Flammability: UL94V-1)
- Expected Life ..... Refer to specifications (L10:Survival rate:90% at 60°C ,  
 rated voltage, and continuously run in a free air state)
- Lead Wire ..... ⊕red ⊖black or blue (Sensor) yellow
- Storage Temperature ..... -30°C to +70°C (Non-condensing)

**120×120×38mm** (Mass : 330g) **9G type**

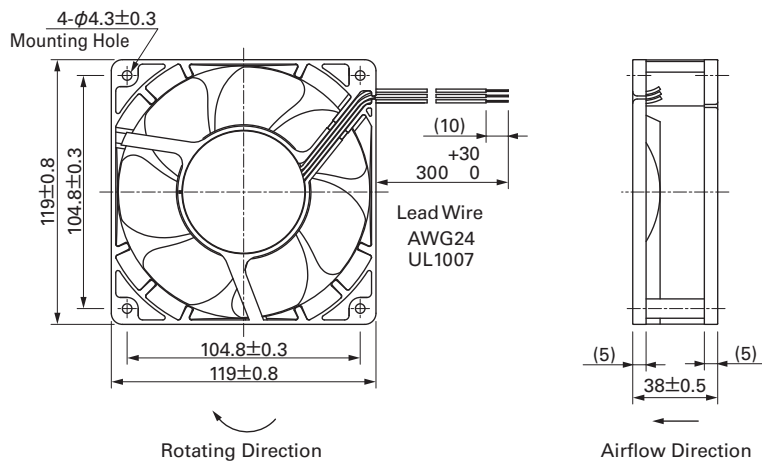
## Specifications

The following nos. **have pulse sensors and ribs.** For ribless, append "1" to the model no.

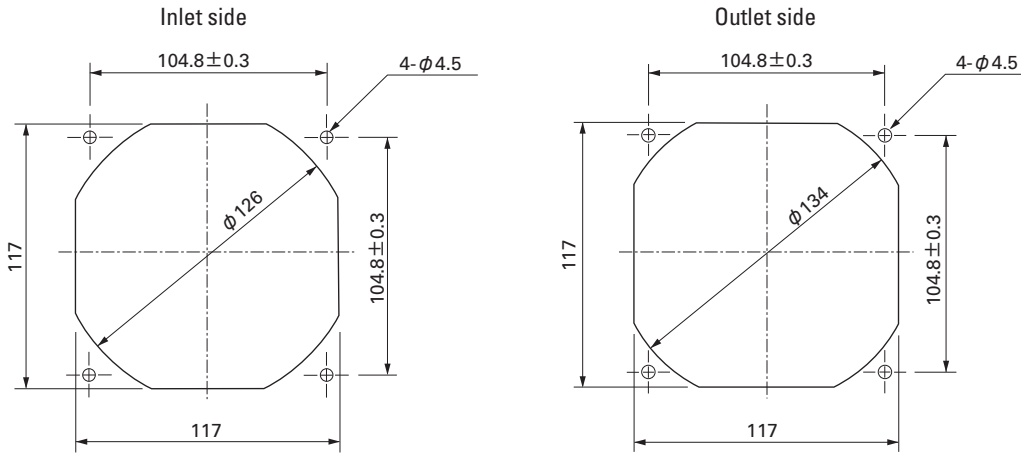
Model No.	Rated Voltage [V]	Operating Voltage Range [V]	Rated Current [A]	Rated Input [W]	Rated Speed [min <sup>-1</sup> ]	Max. Airflow [m <sup>3</sup> /min] [CFM]	Max. Static Pressure [Pa] [inchH <sub>2</sub> O]	SPL [dB(A)]	Operating Temperature [°C]	Expected Life [h]
9G1212G101	12	10.2 to 13.8	0.98	11.76	3,600	3.88 137	135 0.542	49	-20 to +70	40,000
9G1212E101			0.61	7.32	3,100	3.34 118	100 0.402	46		
9G1212H101		7 to 13.8	0.38	4.56	2,600	2.80 99	70.4 0.283	39		
9G1212F101			0.28	3.36	2,280	2.45 87	54.2 0.218	36		
9G1212M101			0.21	2.52	1,950	2.10 74	39.6 0.159	32		
9G1224G101	24	20.4 to 27.6	0.50	12	3,600	3.88 137	135 0.542	49		
9G1224E101			0.34	8.16	3,100	3.34 118	100 0.402	46		
9G1224H101		14 to 27.6	0.22	5.28	2,600	2.80 99	70.4 0.283	39		
9G1224F101			0.16	3.84	2,280	2.45 87	54.2 0.218	36		
9G1224M101			0.11	2.64	1,950	2.10 74	39.6 0.159	32		
9G1248G101	48	40.8 to 55.2	0.25	12	3,600	3.88 137	135 0.542	49		
9G1248E101			0.17	8.16	3,100	3.34 118	100 0.402	46		
9G1248H101			0.11	5.28	2,600	2.80 99	70.4 0.283	39		
9G1248F101			0.09	4.32	2,280	2.45 87	54.2 0.218	36		
9G1248M101			0.07	3.36	1,950	2.10 74	39.6 0.159	32		

Some models can also be equipped without sensors or with PWM control functions as an option. Please refer to the index (pp. 417 to 437).

## Dimensions (unit : mm) (With ribs)



Reference Dimension of Mounting Holes and Vent Opening (unit : mm)

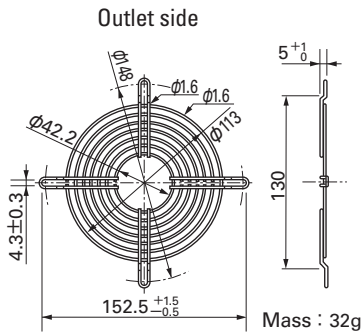


Options (unit : mm)

Finger Guards

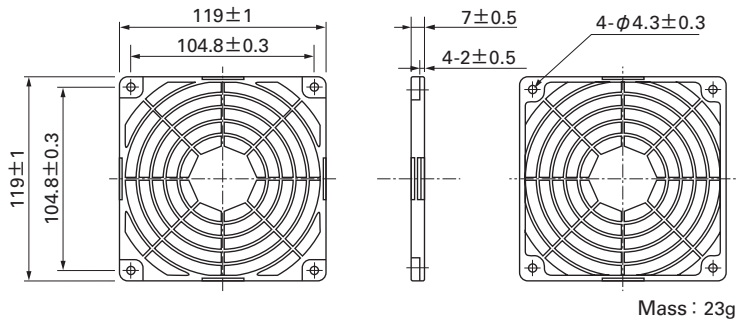
Model : 109-019C Surface treatment : Nickel-chrome plating (silver)  
 : 109-019H : Cation electropainting (black)

Color



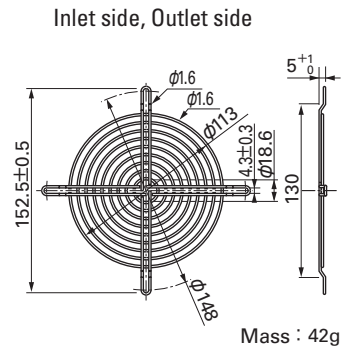
Resin Finger Guards

Model : 109-1000G



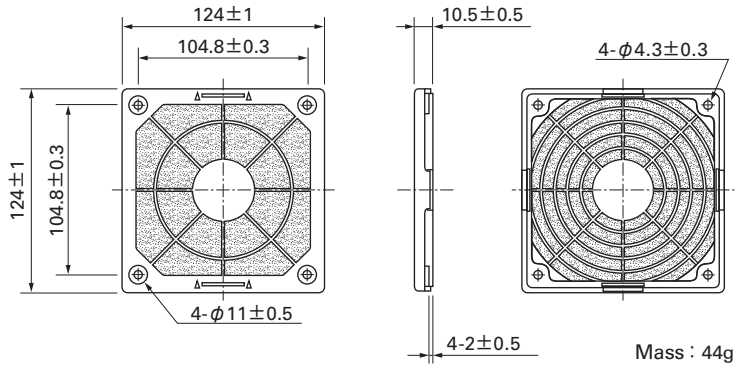
Model : 109-019E Surface treatment : Nickel-chrome plating (silver)  
 : 109-019K : Cation electropainting (black)

Color



Resin Filter Kits

Model : 109-1000F13 (13PPI), 109-1000F20 (20PPI)  
 : 109-1000F30 (30PPI), 109-1000F40 (40PPI)

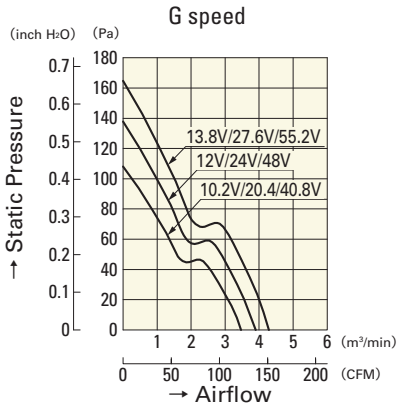


**120**mm sq.

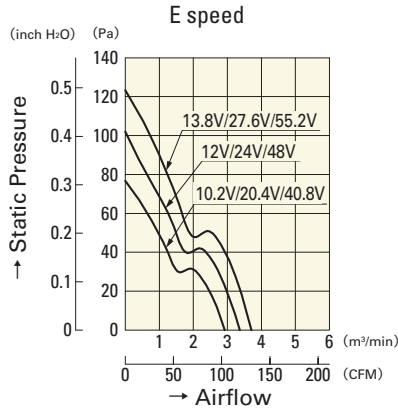
**San Ace 120**

**120×120×38mm** [Mass : 330g]

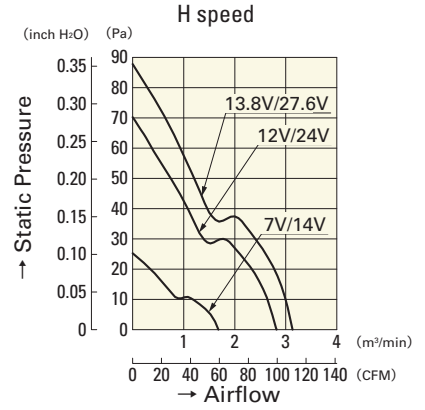
**Airflow - Static Pressure Characteristics**



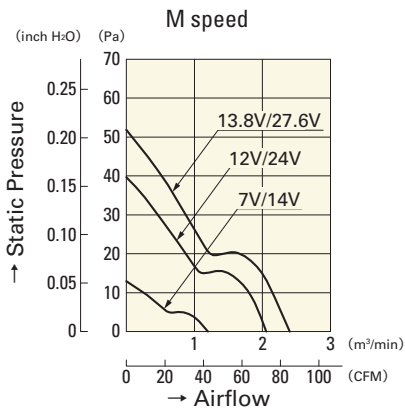
- 9G1212G101**
- 9G1224G101**
- 9G1248G101**



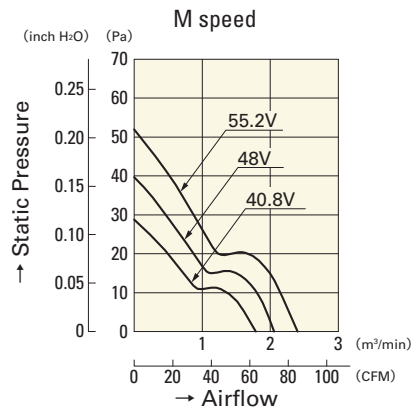
- 9G1212E101**
- 9G1224E101**
- 9G1248E101**



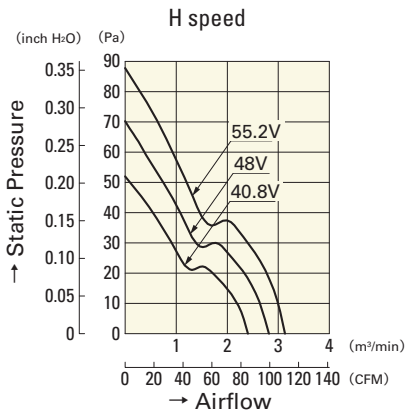
- 9G1212H101**
- 9G1224H101**



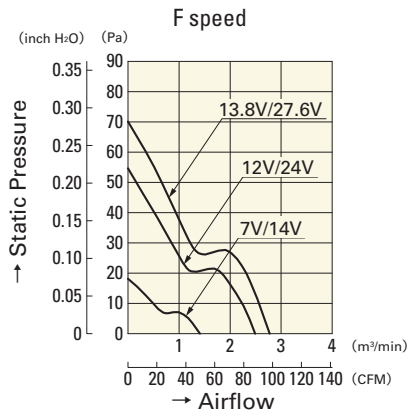
- 9G1212M101**
- 9G1224M101**



- 9G1248M101**

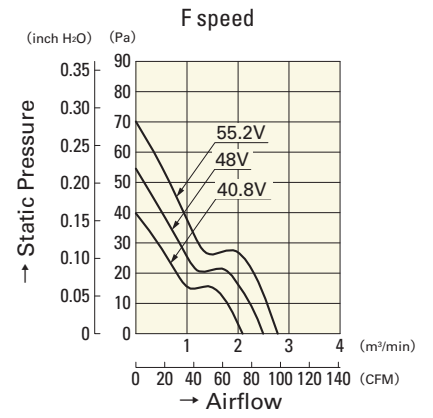


**9G1248H101**



**9G1212F101**

**9G1224F101**



**9G1248F101**