

120mm sq.

San Ace 120

25mm thick (9S type), 25mm thick (9GV type)
 25mm thick (9G type), 38mm thick (9HV type)
38mm thick (9GV type), 38mm thick (9G type)
 38mm thick (9SG type)



General Specifications

- Material Frame: Plastics (Flammability: UL94V-0),
 Impeller: Plastics (Flammability: UL94V-1)
- Expected Life Refer to specifications (L10:Survival rate:90% at 60°C ,
 rated voltage, and continuously run in a free air state)
- Lead Wire ⊕red ⊖black (Sensor) yellow (Control) brown
- Storage Temperature -30°C to +70°C (Non-condensing)

120×120×38mm (Mass : 360g) **9GV type**

Specifications

The following nos. **have PWM controls, pulse sensors, and ribs.** For ribless, append "1" to the model no.

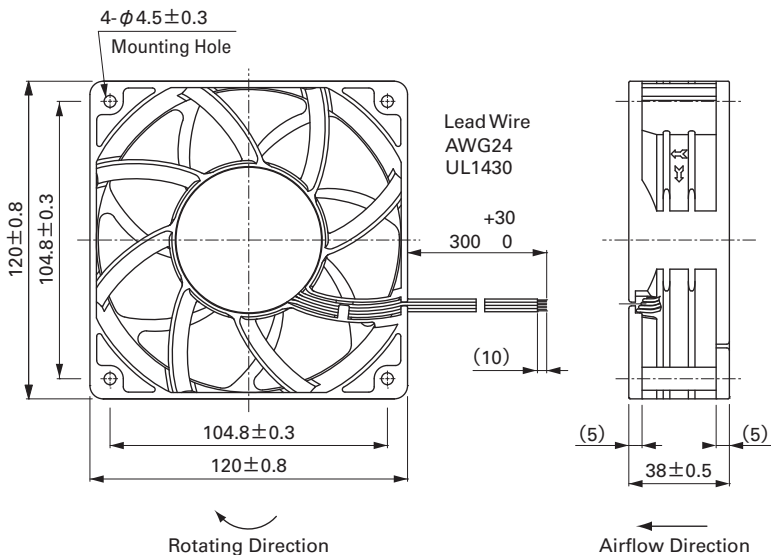
Model No.	Rated Voltage [V]	Operating Voltage Range [V]	PWM duty cycle※ [%]	Rated Current [A]	Rated Input [W]	Rated Speed [min ⁻¹]	Max. Airflow [m ³ /min] [CFM]	Max. Static Pressure [Pa] [inchH ₂ O]	SPL [dB(A)]	Operating Temperature [°C]	Expected Life [h]
9GV1212P1J01	12	10.2 to 13.8	100	3.00	36.00	6,400	6.35 224.0	360.0 1.45	64	-20 to +70	40,000
			0	0.19	2.28	1,500	1.49 52.6	19.8 0.08	33		
9GV1212P1G01	12	10.2 to 13.8	100	2.1	25.2	5,500	5.45 192.6	265 1.06	60	-10 to +70	
			0	0.19	2.28	1,500	1.49 52.6	19.8 0.08	33		
9GV1224P1J01 (Note)	24	20.4 to 27.6	100	1.5	36.00	6,400	6.35 224.0	360 1.45	64	-20 to +70	
9GV1224P1H01 (Note)			100	0.8	19.2	5,200	5.16 182.3	237 0.95	58		
9GV1248P1J01	48	40.8 to 55.2	100	0.75	36.00	6,400	6.35 224.0	360.0 1.45	64		
			0	0.06	2.88	1,500	1.49 52.6	26.1 0.106	33		
9GV1248P1B10 (Note)	48	40.8 to 55.2	100	0.43	20.64	5,250	5.2 183.7	242 0.97	59		

Note: Fan does not rotate when PWM duty cycle is 0%.

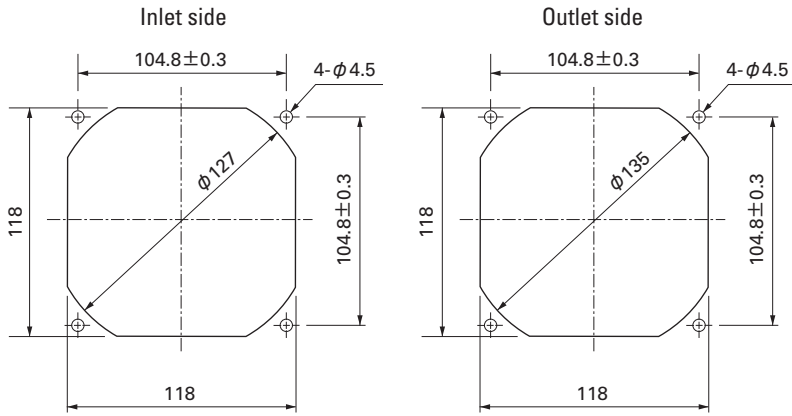
※ PWM Frequency : 25kHz
 9GV1248P1B10 only: 1.4 kHz

Some models can also be equipped without sensors or with pulse sensors (no PWM control functions) as an option. Please refer to the index (pp. 417 to 437).

Dimensions (unit : mm) (With ribs)



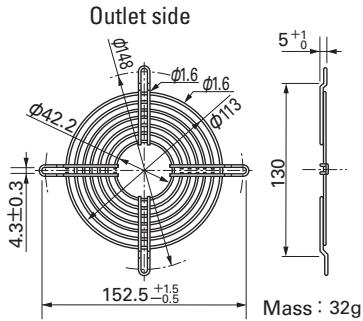
Reference Dimension of Mounting Holes and Vent Opening (unit : mm)



Options (unit : mm)

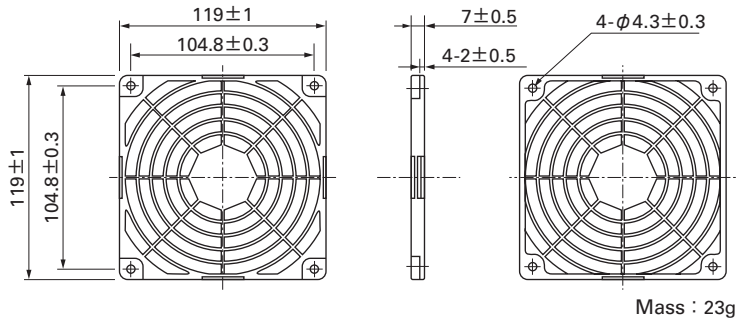
Finger Guards

Model : 109-019C Surface treatment : Nickel-chrome plating (silver) Color : 109-019H : Cation electropainting (black)

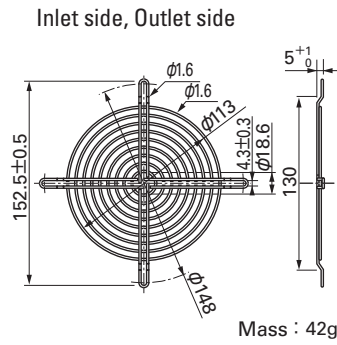


Resin Finger Guards

Model : 109-1000G

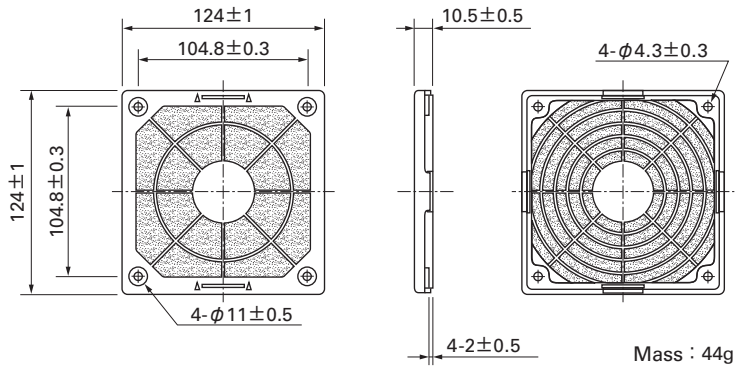


Model : 109-019E Surface treatment : Nickel-chrome plating (silver) Color : 109-019K : Cation electropainting (black)



Resin Filter Kits

Model : 109-1000F13 (13PPI), 109-1000F20 (20PPI) : 109-1000F30 (30PPI), 109-1000F40 (40PPI)



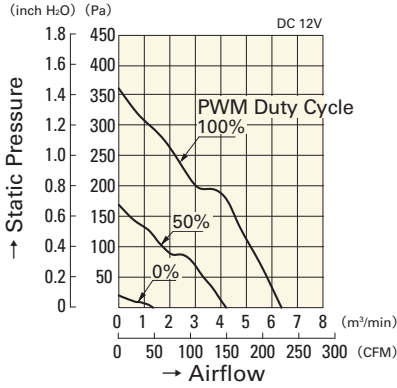
120mm sq.

San Ace 120

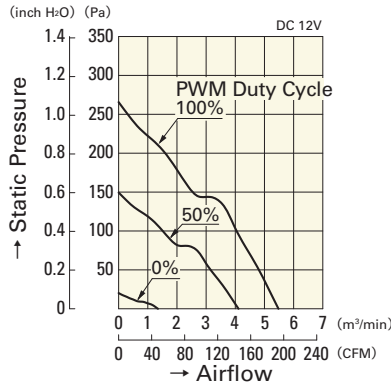
120×120×38mm [Mass : 360g]

Airflow - Static Pressure Characteristics

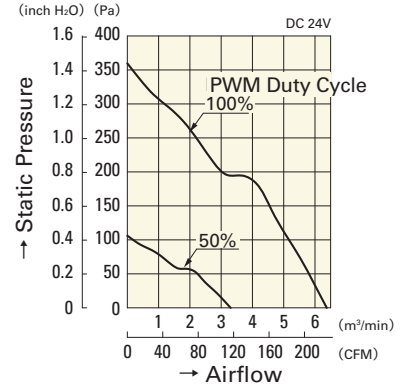
PWM Duty Cycle



9GV1212P1J01

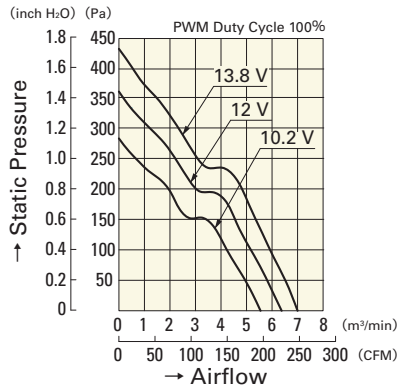


9GV1212P1G01

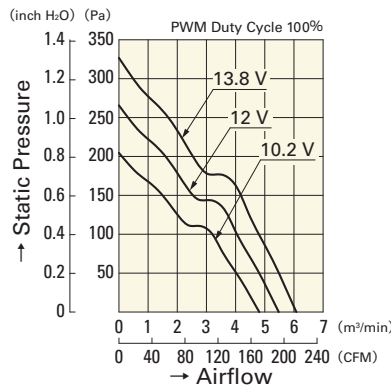


9GV1224P1J01

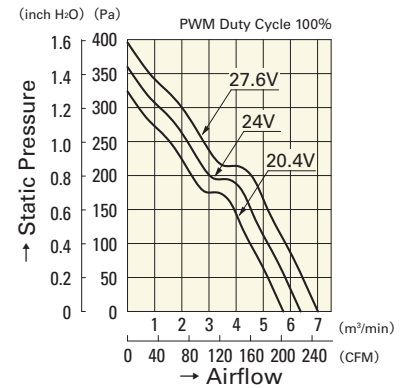
Operating Voltage Range



9GV1212P1J01

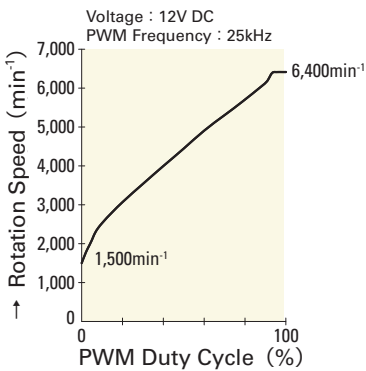


9GV1212P1G01

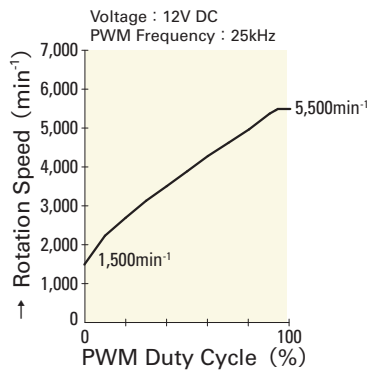


9GV1224P1J01

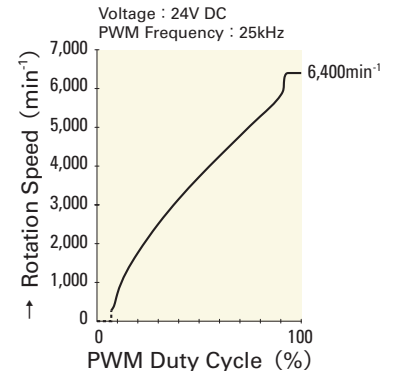
PWM Duty - Speed Characteristics Example



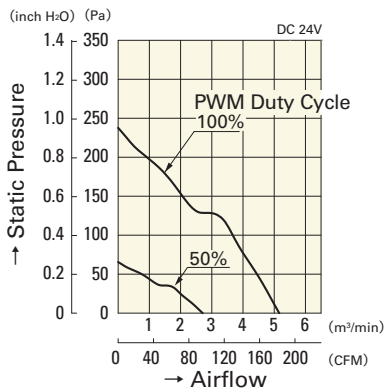
9GV1212P1J01



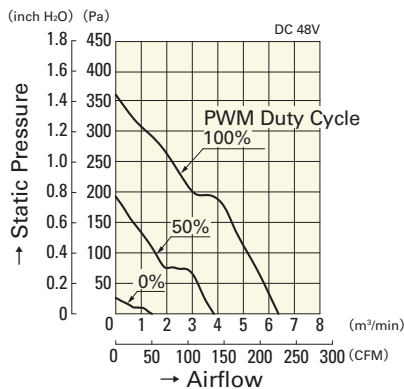
9GV1212P1G01



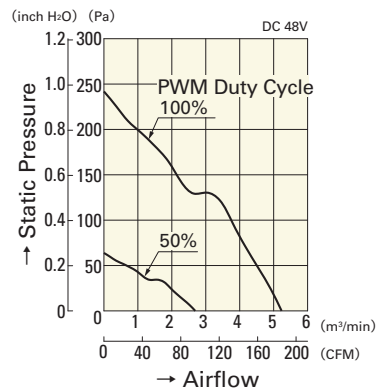
9GV1224P1J01



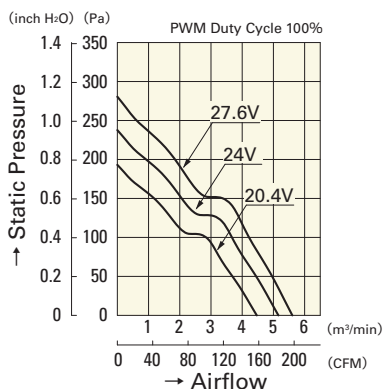
9GV1224P1H01



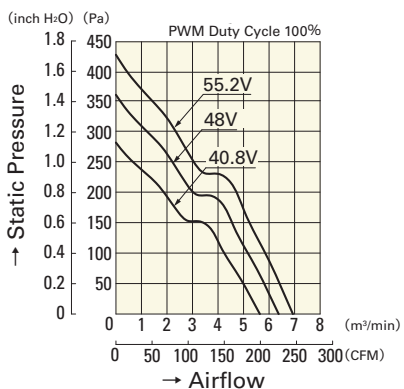
9GV1248P1J01



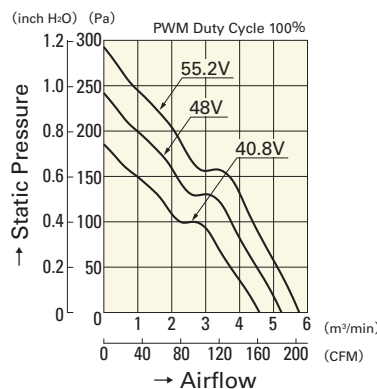
9GV1248P1B10



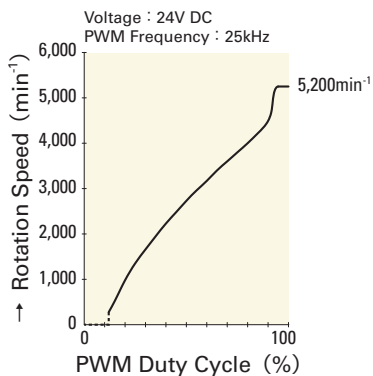
9GV1224P1H01



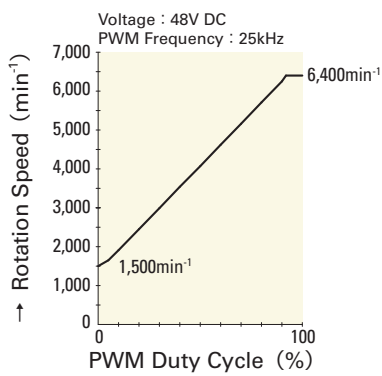
9GV1248P1J01



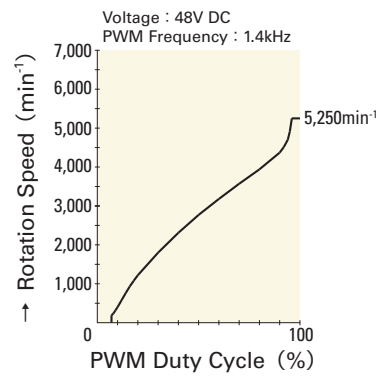
9GV1248P1B10



9GV1224P1H01



9GV1248P1J01



9GV1248P1B10