

**120**mm sq.

# San Ace 120

25mm thick (9S type), 25mm thick (9GV type)  
 25mm thick (9G type), **38mm thick (9HV type)**  
 38mm thick (9GV type), 38mm thick (9G type)  
 38mm thick (9SG type)



## General Specifications

- Material ..... Frame: Aluminum,  
 Impeller: Plastics (Flammability: UL94V-1)
- Expected Life ..... Refer to specifications (L10:Survival rate:90% at 60°C ,  
 rated voltage, and continuously run in a free air state)
- Lead Wire ..... ⊕red ⊖black (Sensor) yellow (Control) brown
- Storage Temperature ..... -30°C to +70°C (Non-condensing)

**120×120×38mm** (Mass : 460g) **9HV type**

## Specifications

The following nos. **have PWM controls and pulse sensors.**

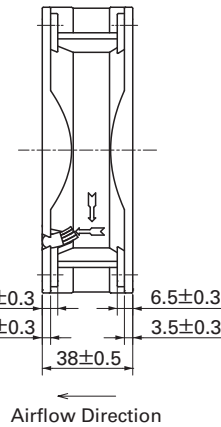
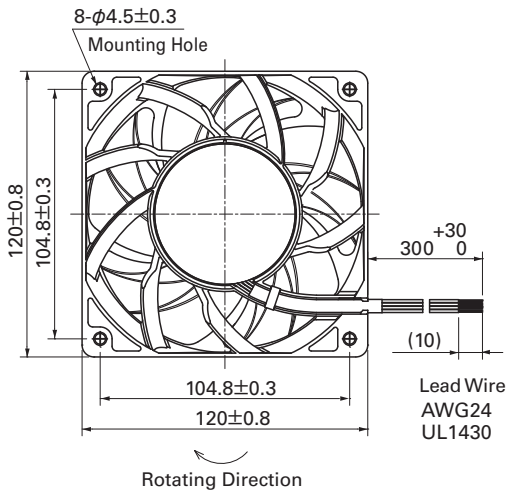
Model No.	Rated Voltage [V]	Operating Voltage Range [V]	PWM duty cycle※ [%]	Rated Current [A]	Rated Input [W]	Rated Speed [min <sup>-1</sup> ]	Max. Airflow [m <sup>3</sup> /min] [CFM]	Max. Static Pressure [Pa] [inchH <sub>2</sub> O]	SPL [dB(A)]	Operating Temperature [°C]	Expected Life <sup>typ</sup> [h]
9HV1248P1G001	48	36 to 60	100	2.0	96	11,500	8.3 293	1,300 5.22	75	-20 to +70	40,000/60°C (70,000/40°C)
			0	0.23	11	3,800	2.7 95	161 0.65	46		
9HV1248P1H001			100	1.4	67	10,000	7.2 254	1,050 4.22	72		
			0	0.23	11	3,800	2.7 95	161 0.65	46		

Note: Expected life at 40°C ambient is just reference value.

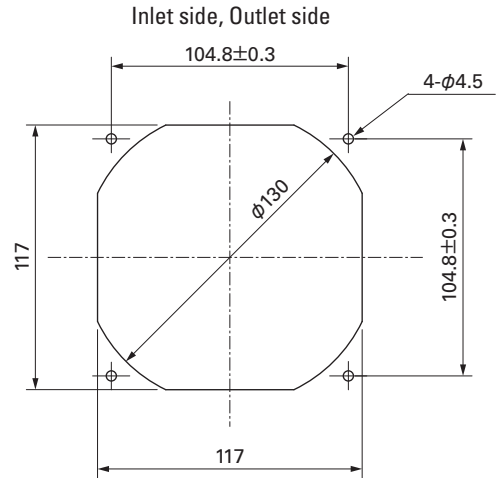
※PWM Frequency : 25kHz

Some models can also be equipped without sensors or with pulse sensors (no PWM control functions) as an option. Please refer to the index (pp. 417 to 437).

## Dimensions (unit : mm)



## Reference Dimension of Mounting Holes and Vent Opening (unit : mm)

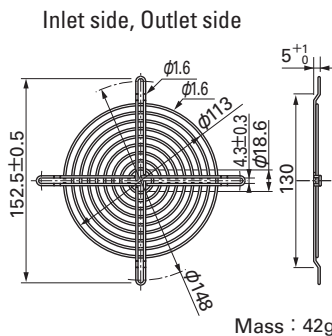
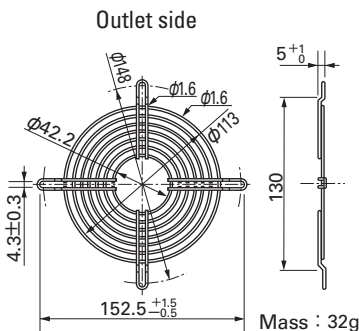


## Options (unit : mm)

### Finger Guards

Model : 109-019C Surface treatment : Nickel-chrome plating (silver) Color : 109-019H : Cation electropainting (black)

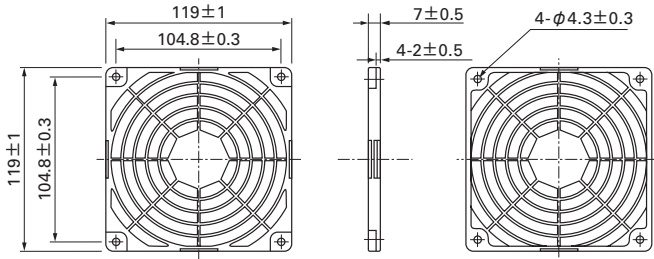
Model : 109-019E Surface treatment : Nickel-chrome plating (silver) Color : 109-019K : Cation electropainting (black)



Options (unit : mm)

Resin Finger Guards

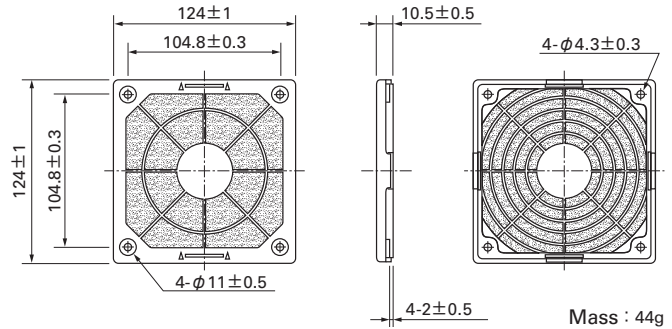
Model : 109-1000G



Mass : 23g

Resin Filter Kits

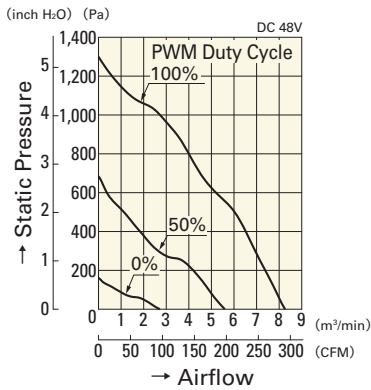
Model : 109-1000F13 (13PPI), 109-1000F20 (20PPI)  
: 109-1000F30 (30PPI), 109-1000F40 (40PPI)



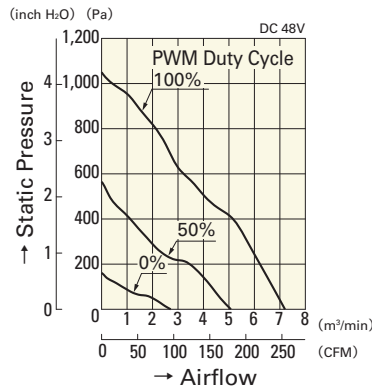
Mass : 44g

Airflow - Static Pressure Characteristics

PWM Duty Cycle

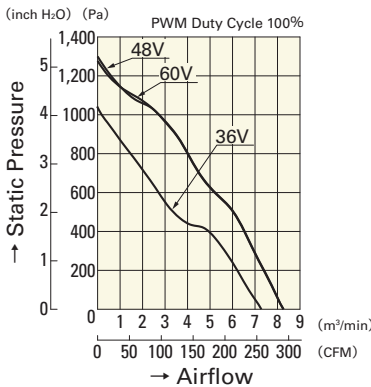


9HV1248P1G001

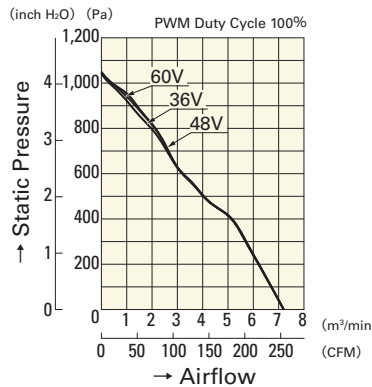


9HV1248P1H001

Operating Voltage Range

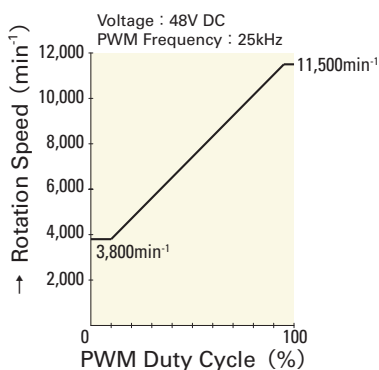


9HV1248P1G001

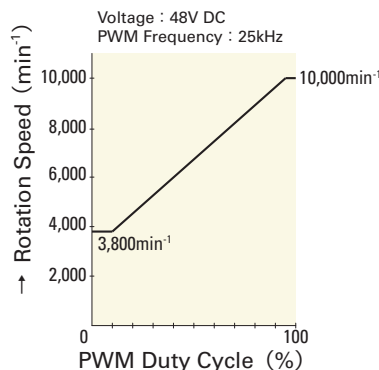


9HV1248P1H001

PWM Duty - Speed Characteristics Example



9HV1248P1G001



9HV1248P1H001