

92mm sq.

San Ace 92

25mm thick (9GA type), 25mm thick (9S type)
 25mm thick (9P type), 25mm thick (San Cooler) (9A type)
 32mm thick (9G type), 38mm thick (9GA type)
 38mm thick (9HV type), 38mm thick (9GV type)
 38mm thick (9G type)



General Specifications

- Material Frame: Plastics (Flammability: UL94V-0),
 Impeller: Plastics (Flammability: UL94V-0)
- Expected Life Refer to specifications (L10: Survival rate: 90% at 60°C ,
 rated voltage, and continuously run in a free air state)
- Lead Wire ⊕red ⊖black (Sensor) yellow (Control) brown
- Storage Temperature -30°C to +70°C (Non-condensing)

92×92×38mm (Mass : 240g) **9GA type** **Low Power Consumption Fan**

Specifications

The following nos. **have PWM controls, pulse sensors, and ribs.**
For ribless, append "1" to the model no. (9GA0924P1H01 is with ribs only)

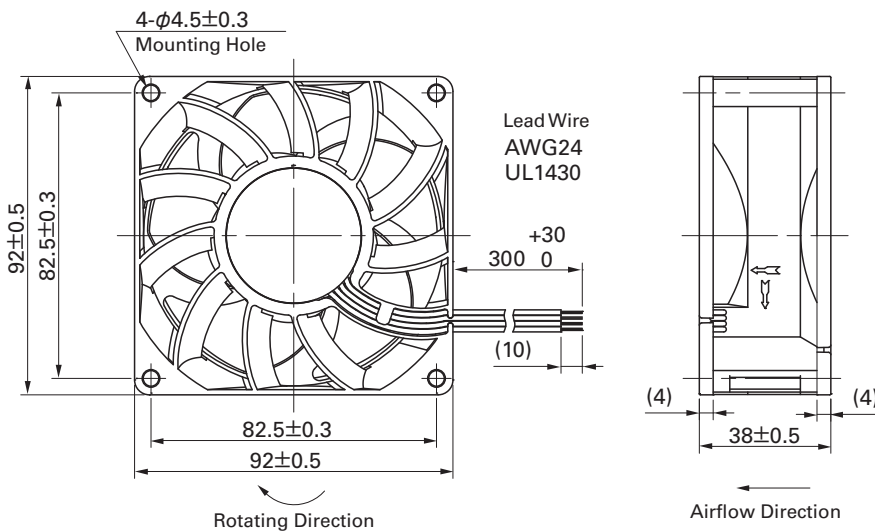
Model No.	Rated Voltage [V]	Operating Voltage Range [V]	PWM duty cycle* [%]	Rated Current [A]	Rated Input [W]	Rated Speed [min ⁻¹]	Max. Airflow [m ³ /min] [CFM]	Max. Static Pressure [Pa] [inchH ₂ O]	SPL [dB(A)]	Operating Temperature [°C]	Expected Life ^(Note2) [h]
9GA0912P1H03	12	10.2 to 13.8	100	2.10	25.2	9,700	4.00 141	500 2.01	63	-20 to +70	40,000/60°C (70,000/40°C)
			0	0.16	1.92	2,500	0.97 34.3	33 0.13	29		
9GA0924P1H01	24	20.4 to 27.6	100	1.1	26.4	9,700	4 141	500 2.01	63	-10 to +70	
			0	0.07	1.68	2,500	0.97 34.3	33 0.13	29		
9GA0948P1H03 ^(Note1)	48	40.8 to 55.2	100	0.55	26.4	9,700	4.00 141	500 2.01	63	-20 to +70	

Note 1: Rated voltage 48V fans do not rotate when PWM duty cycle is 0%.
 Note 2: Expected life at 40°C ambient is just reference value.

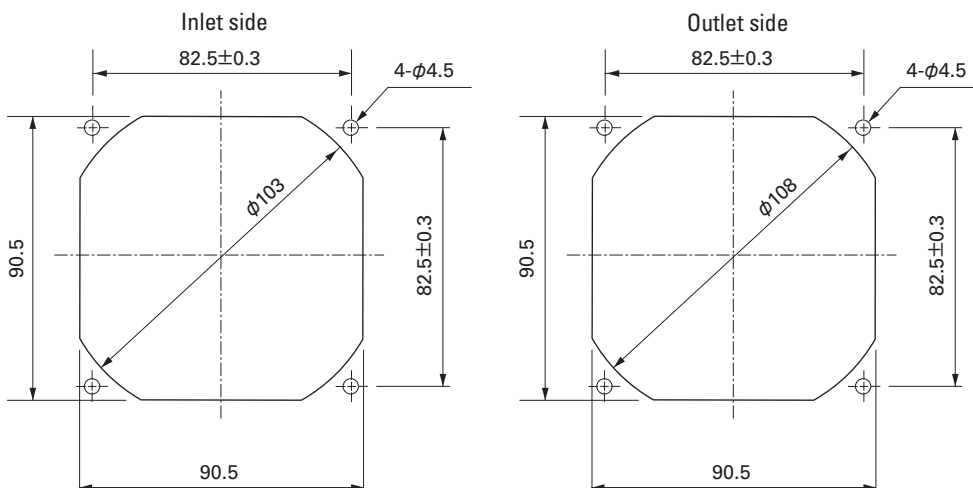
※PWM Frequency : 25kHz

Some models can also be equipped without sensors or with pulse sensors (no PWM control functions) as an option. Please refer to the index (pp. 417 to 437).

Dimensions (unit : mm) (With ribs)



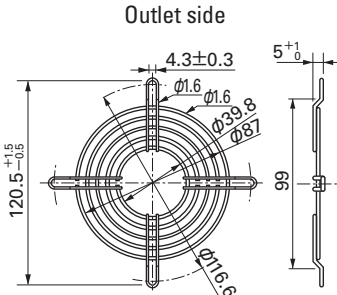
Reference Dimension of Mounting Holes and Vent Opening (unit : mm)



Options (unit : mm)

Finger Guards

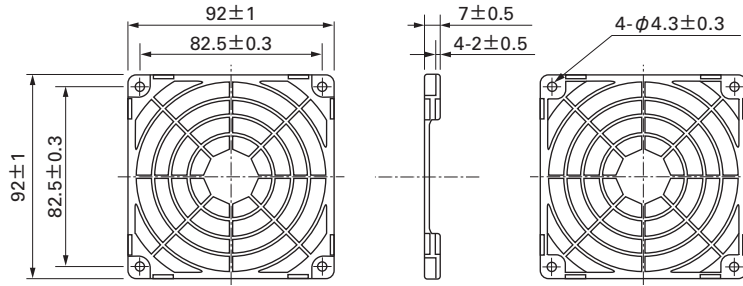
Model : 109-099C Color : Nickel-chrome plating (silver)



Mass : 22g

Resin Finger Guards

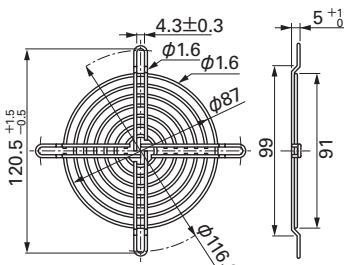
Model : 109-1001G



Mass : 12g

Model : 109-099E Color : Nickel-chrome plating (silver)
Model : 109-099H Color : Cation electropainting (black)

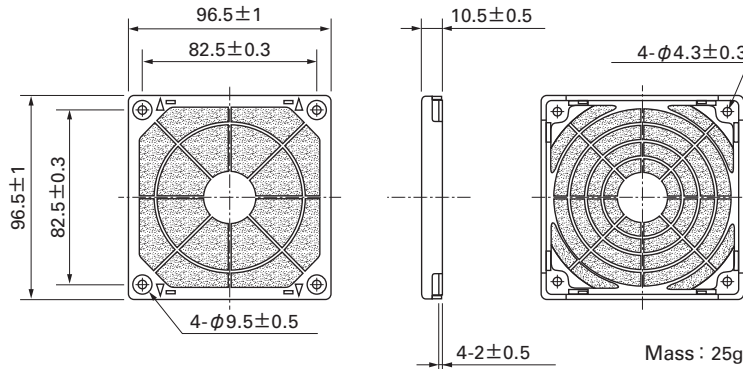
Inlet side, Outlet side



Mass : 29g

Resin Filter Kits

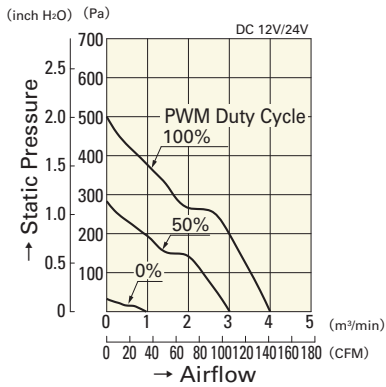
Model : 109-1001F13 (13PPI), 109-1001F20 (20PPI)
Model : 109-1001F30 (30PPI), 109-1001F40 (40PPI)



Mass : 25g

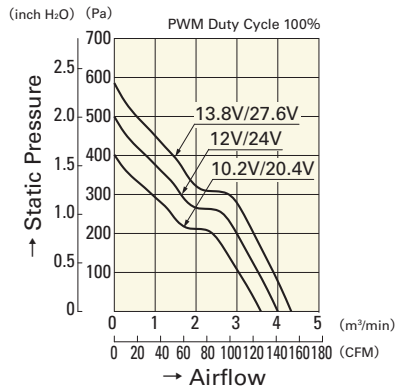
Airflow - Static Pressure Characteristics

PWM Duty Cycle



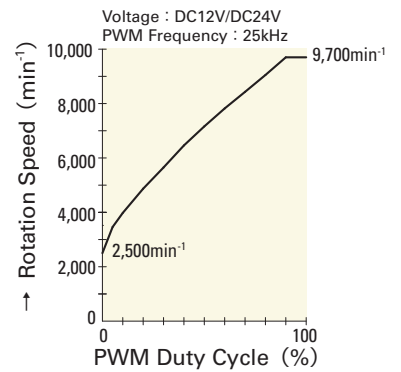
9GA0912P1H03
9GA0924P1H01

Operating Voltage Range

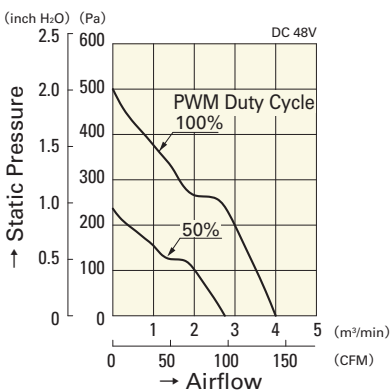


9GA0912P1H03
9GA0924P1H01

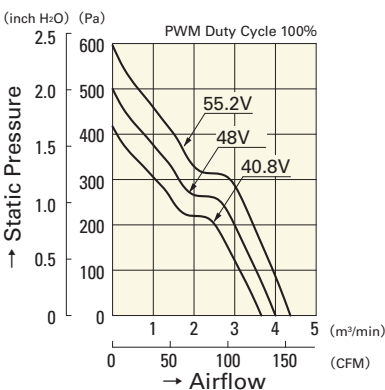
PWM Duty - Speed Characteristics Example



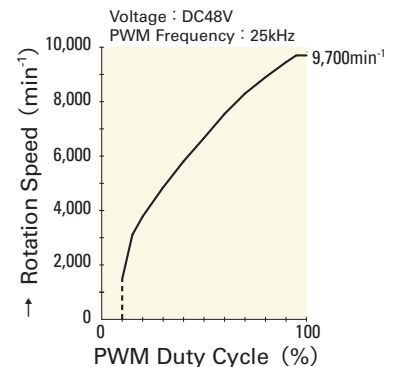
9GA0912P1H03
9GA0924P1H01



9GA0948P1H03



9GA0948P1H03



9GA0948P1H03