

**92**mm sq.

# San Ace 92

25mm thick (9GA type), 25mm thick (9S type)  
 25mm thick (9P type), 25mm thick (San Cooler) (9A type)  
 32mm thick (9G type), 38mm thick (9GA type)  
 38mm thick (9HV type), 38mm thick (9GV type)  
 38mm thick (9G type)



## General Specifications

- Material ..... Frame: Plastics (Flammability: UL94V-0),  
 Impeller: Plastics (Flammability: UL94V-1)
- Expected Life ..... Refer to specifications (L10:Survival rate:90% at 60°C ,  
 rated voltage, and continuously run in a free air state)
- Lead Wire ..... ⊕red ⊖black or blue (Sensor) yellow
- Storage Temperature ..... -30°C to +70°C (Non-condensing)

**92×92×32**mm (Mass : 170g) **9G type**

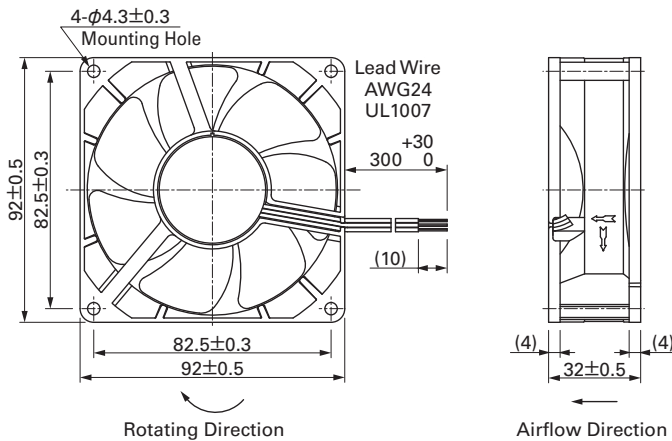
## Specifications

The following nos. **have pulse sensors and ribs**. For ribless, append "1" to the model no.

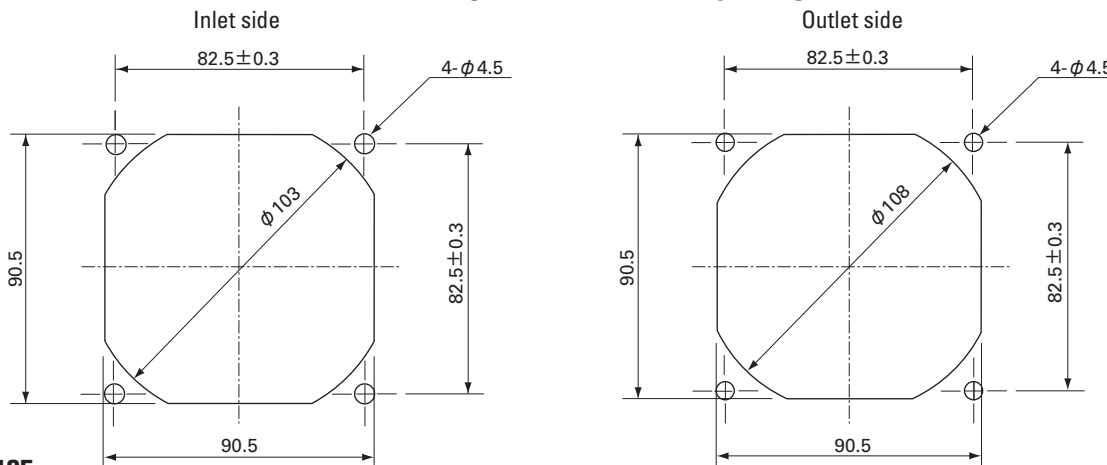
Model No.	Rated Voltage [V]	Operating Voltage Range [V]	Rated Current [A]	Rated Input [W]	Rated Speed [min <sup>-1</sup> ]	Max. Airflow [m <sup>3</sup> /min] [CFM]	Max. Static Pressure [Pa] [inchH <sub>2</sub> O]	SPL [dB(A)]	Operating Temperature [°C]	Expected Life [h]
9G0912A201	12	10.2 to 13.8	0.58	6.96	4,300	2.50 88.3	115 0.462	44	-20 to +70	40,000
9G0912S201			0.38	4.56	3,500	2.00 70.7	77 0.309	38		
9G0912H201			0.23	2.76	2,850	1.59 56.2	51 0.205	32		
9G0912M201			0.13	1.56	2,100	1.20 42.4	27 0.108	25		
9G0924A201	24	20.4 to 27.6	0.30	7.20	4,300	2.50 88.3	115 0.462	44	-20 to +60	
9G0924S201			0.19	4.56	3,500	2.00 70.7	77 0.309	38		
9G0924H201			0.12	2.88	2,850	1.59 56.2	51 0.205	32		
9G0924M201			0.08	1.92	2,100	1.20 42.4	27 0.108	25		
9G0948A201	48	40.8 to 55.2	0.16	7.68	4,300	2.50 88.3	115 0.462	44	-20 to +70	
9G0948S201			0.11	5.28	3,500	2.00 70.7	77 0.309	38		
9G0948H201			0.08	3.84	2,850	1.59 56.2	51 0.205	32		
9G0948M201			0.05	2.40	2,100	1.20 42.4	27 0.108	25		

Some models can also be equipped without sensors as an option. Please refer to the index (pp. 417 to 437).

## Dimensions (unit : mm) (With ribs)



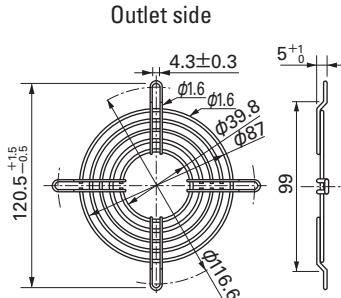
## Reference Dimension of Mounting Holes and Vent Opening (unit : mm)



Options (unit : mm)

**Finger Guards**

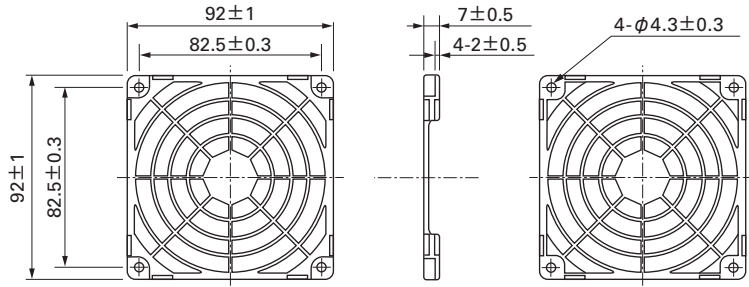
Model : 109-099C Surface treatment : Nickel-chrome plating (silver) Color : 109-099H : Cation electropainting (black)



Mass : 22g

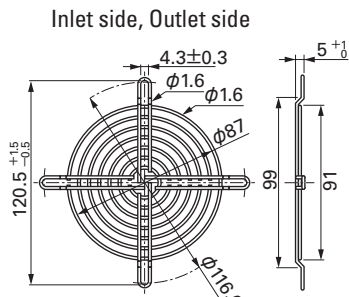
**Resin Finger Guards**

Model : 109-1001G



Mass : 12g

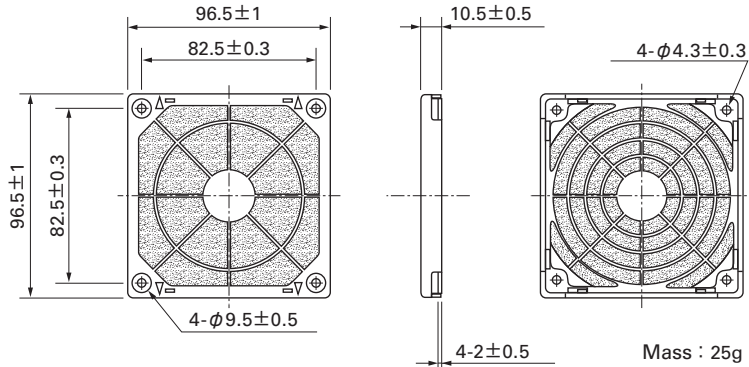
Model : 109-099E Surface treatment : Nickel-chrome plating (silver) Color : 109-099H : Cation electropainting (black)



Mass : 29g

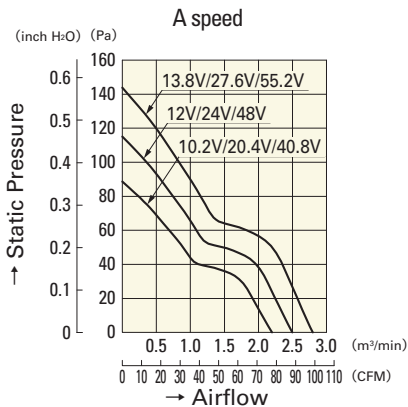
**Resin Filter Kits**

Model : 109-1001F13 (13PPI), 109-1001F20 (20PPI) : 109-1001F30 (30PPI), 109-1001F40 (40PPI)

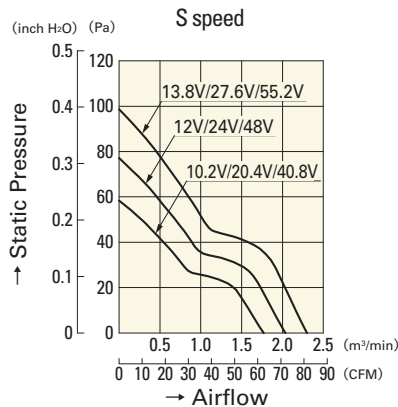


Mass : 25g

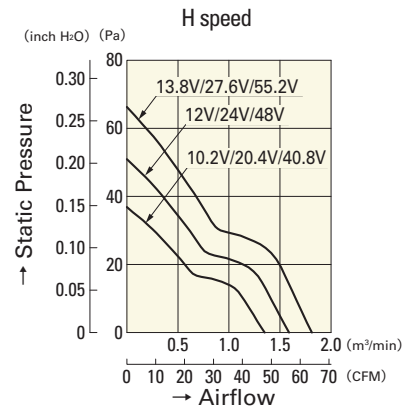
**Airflow - Static Pressure Characteristics**



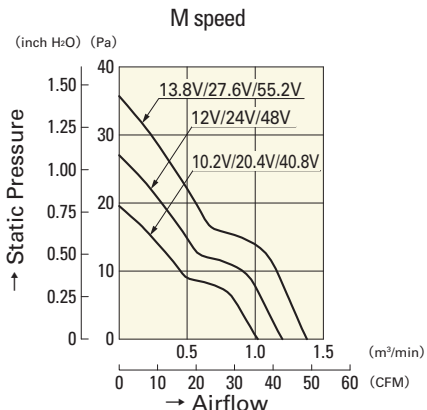
- 9G0912A201
- 9G0924A201
- 9G0948A201



- 9G0912S201
- 9G0924S201
- 9G0948S201



- 9G0912H201
- 9G0924H201
- 9G0948H201



- 9G0912M201
- 9G0924M201
- 9G0948M201