

**80**mm sq.

# San Ace 80

15mm thick (9GA type), 15mm thick (9P type), 20mm thick (9GA type)  
 20mm thick (9P type), 25mm thick (9GA type), 25mm thick (9S type)  
 25mm thick (9GV type), 25mm thick (9R type)  
 25mm thick (San Cooler) (9A type), 32mm thick (9GA type)  
**32mm thick (9P type)**, 38mm thick (9HV type), 38mm thick (9GA type)  
 38mm thick (9GV type), 38mm thick (9G type)



## General Specifications

- Material ..... Frame: Plastics (Flammability: UL94V-0),  
Impeller: Plastics (Flammability: UL94V-1)
- Expected Life ..... Refer to specifications (L10:Survival rate:90% at 60°C ,  
rated voltage, and continuously run in a free air state)
- Lead Wire ..... ⊕red ⊖black or blue (Sensor) yellow
- Storage Temperature ..... -30°C to +70°C (Non-condensing)

**80×80×32mm** (Mass : 150g) **9P type**

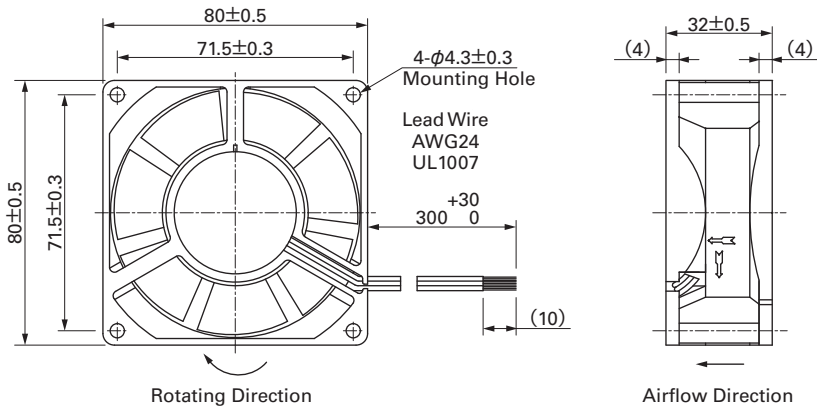
## Specifications

The following nos. **have pulse sensors and ribs**. For ribless, append "1" to the model no.

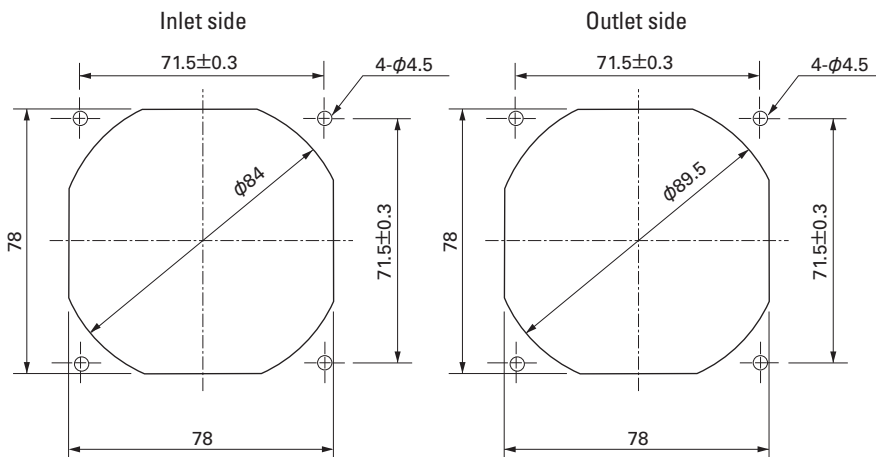
Model No.	Rated Voltage [V]	Operating Voltage Range [V]	Rated Current [A]	Rated Input [W]	Rated Speed [min <sup>-1</sup> ]	Max. Airflow [m <sup>3</sup> /min] [CFM]	Max. Static Pressure [Pa] [inchH <sub>2</sub> O]	SPL [dB(A)]	Operating Temperature [°C]	Expected Life [h]		
<b>109P0812A201</b>	12	6 to 13.2	0.56	6.72	4,600	1.52	53.7	91.1	0.366	45	-20 to +55	40,000(+55°C)
0.16			1.92	3,150	1.05	37.1	43.1	0.173	33	-20 to +70	40,000	
10.2 to 13.8		0.07	0.84	2,000	0.65	23.0	18.6	0.075	21	60,000		
<b>109P0824A201</b>	24	12 to 26.4	0.29	6.96	4,600	1.52	53.7	91.1	0.366	45	-20 to +60	40,000
0.09			2.16	3,150	1.05	37.1	43.1	0.173	33	-20 to +70	40,000	
20.4 to 27.6		0.04	0.96	2,000	0.65	23.0	18.6	0.075	21	60,000		
<b>109P0824M201</b>	48	43 to 53	0.06	2.88	3,350	1.10	38.9	50.9	0.204	35	-20 to +70	40,000
<b>109P0848H201</b>												

Some models can also be equipped without sensors as an option. Please refer to the index (pp. 417 to 437).

## Dimensions (unit : mm) (With ribs)



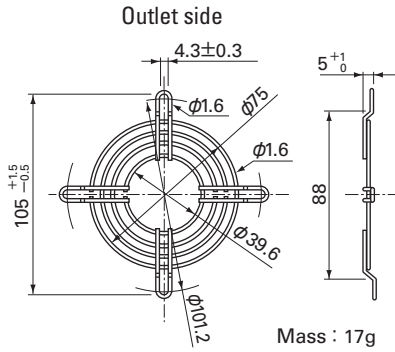
## Reference Dimension of Mounting Holes and Vent Opening (unit : mm)



Options (unit : mm)

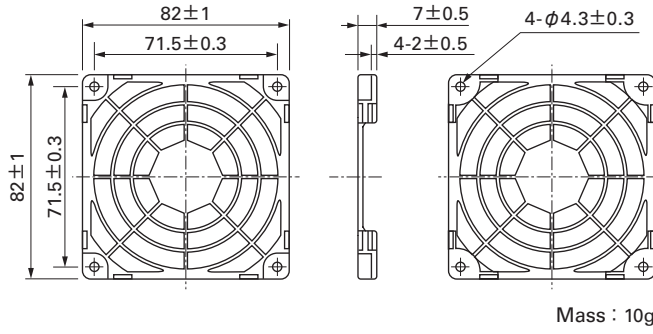
Finger Guards

Model : 109-049C Surface treatment : Nickel-chrome plating (silver) Color : 109-049H Surface treatment : Nickel-chrome plating (silver) : Cation electropainting (black)



Resin Finger Guards

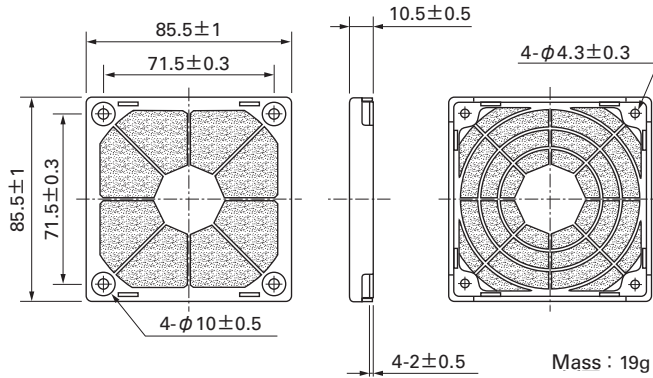
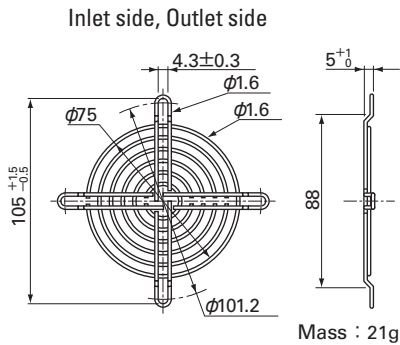
Model : 109-1002G



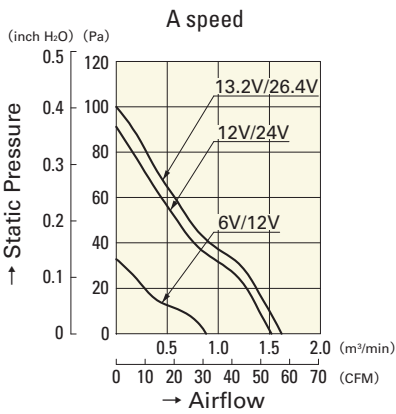
Model : 109-049E Surface treatment : Nickel-chrome plating (silver) : 109-049H Surface treatment : Cation electropainting (black)

Resin Filter Kits

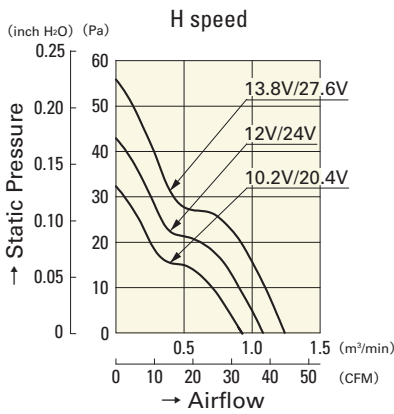
Model : 109-1002F13 (13PPI), 109-1002F20 (20PPI) : 109-1002F30 (30PPI), 109-1002F40 (40PPI)



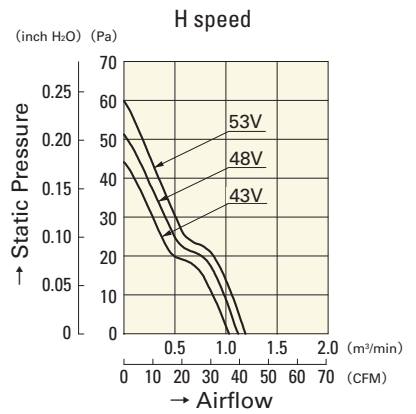
Airflow - Static Pressure Characteristics



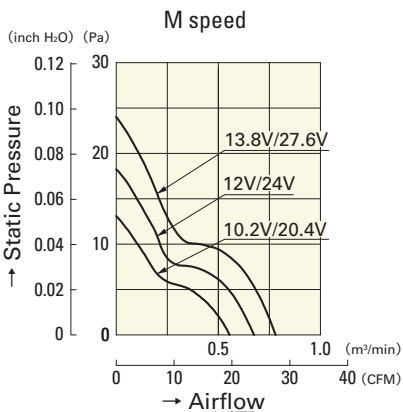
109P0812A201  
109P0824A201



109P0812H201  
109P0824H201



109P0848H201



109P0812M201  
109P0824M201