

**60**mm sq.

# San Ace 60

- 15mm thick (9GA type), 15mm thick (9P type)
- 20mm thick (9GA type), 20mm thick (9P type)
- 25mm thick (9S type), 25mm thick (9G type)
- 25mm thick (9R type), 25mm thick (San Cooler) (9A type)
- 38mm thick (9GA type), 38mm thick (9GV type)
- 38mm thick (9G type)



## General Specifications

- Material ..... Frame: Plastics (Flammability: UL94V-0),  
Impeller: Plastics (Flammability: UL94V-0)
- Expected Life ..... Refer to specifications (L10:Survival rate:90% at 60°C ,  
rated voltage, and continuously run in a free air state)
- Lead Wire ..... ⊕red ⊖black (Sensor) yellow
- Storage Temperature ..... -30°C to +70°C (Non-condensing)

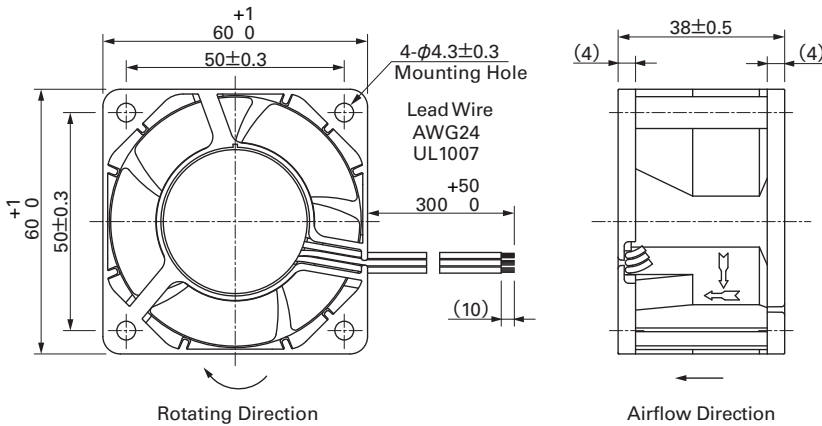
**60×60×38mm** [Mass : 110g] **9G type**

**Specifications** The following nos. **have pulse sensors and ribs.** For ribless, append "1" to the model no.

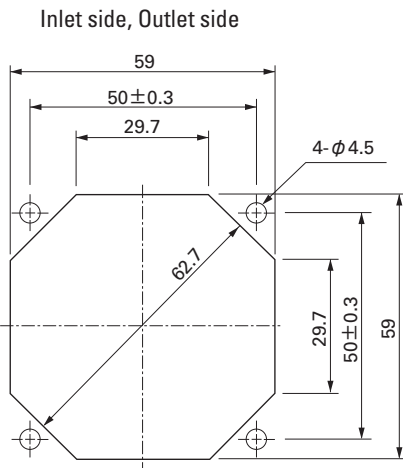
| Model No.  | Rated Voltage [V] | Operating Voltage Range [V] | Rated Current [A] | Rated Input [W] | Rated Speed [min <sup>-1</sup> ] | Max. Airflow [m <sup>3</sup> /min] [CFM] | Max. Static Pressure [Pa] [inchH <sub>2</sub> O] | SPL [dB(A)] | Operating Temperature [°C] | Expected Life [h] |
|------------|-------------------|-----------------------------|-------------------|-----------------|----------------------------------|--|--|-------------|----------------------------|-------------------|
| 9G0612G101 | 12                | 7.0 to 13.8                 | 1.54              | 18.5            | 11,800                           | 1.84 65                                  | 435 1.747  | 58          | -20 to +70                 | 40,000            |
| 9G0612S101 |                   |                             | 1.36              | 16.3            | 10,800                           | 1.70 60                                  | 370 1.486  | 56          |                            |                   |
| 9G0624G101 | 24                | 14.0 to 27.6                | 0.85              | 20.4            | 11,800                           | 1.84 65                                  | 435 1.747  | 58          |                            |                   |
| 9G0624S101 |                   |                             | 0.70              | 16.8            | 10,800                           | 1.70 60                                  | 370 1.486  | 56          |                            |                   |
| 9G0624H101 | 48                | 28 to 55.2                  | 0.57              | 13.68           | 9,800                            | 1.54 54.4                                | 304.6 1.223                                      | 54          |                            |                   |
| 9G0648G101 |                   |                             | 0.35              | 16.8            | 11,800                           | 1.84 65                                  | 435 1.747  | 58          |                            |                   |
| 9G0648S101 | 0.29              | 13.9                        | 10,800            | 1.70 60         | 370 1.486                        | 56                                       |  |             |                            |                   |

Some models can also be equipped without sensors or with PWM control functions as an option. Please refer to the index (pp. 417 to 437).

## Dimensions (unit : mm) (With ribs)



## Reference Dimension of Mounting Holes and Vent Opening (unit : mm)

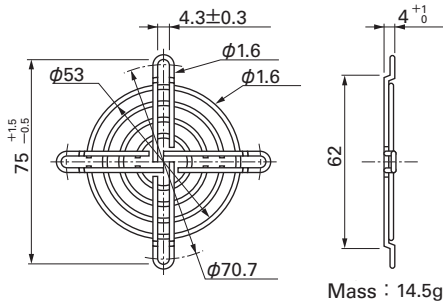


**Options (unit : mm)**

**Finger Guards**

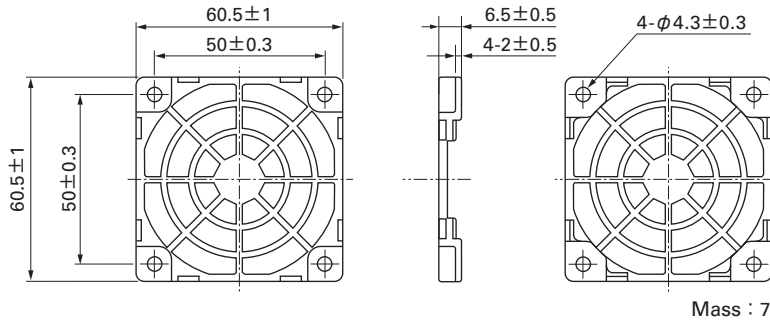
Model : 109-139E Surface treatment : Nickel-chrome plating (silver) Color  
 : 109-139H : Cation electropainting (black)

Inlet side, Outlet side



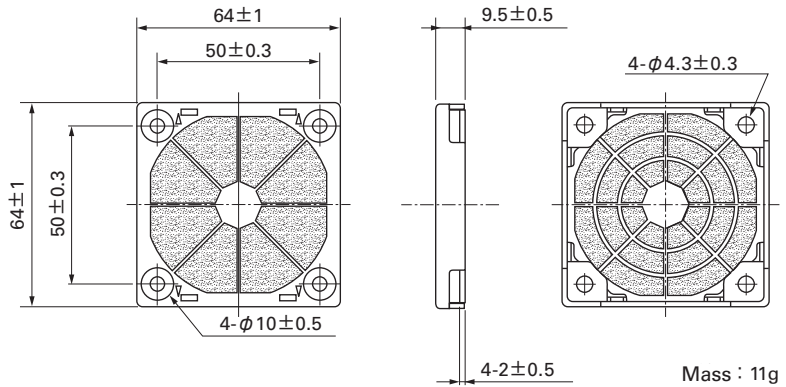
**Resin Finger Guards**

Model : 109-1003G

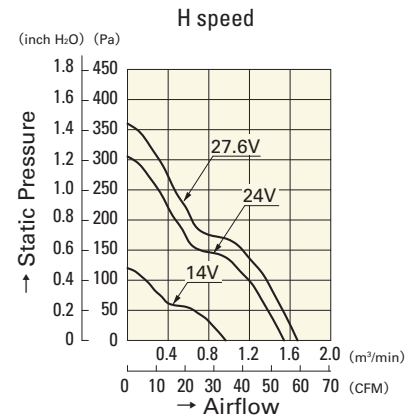
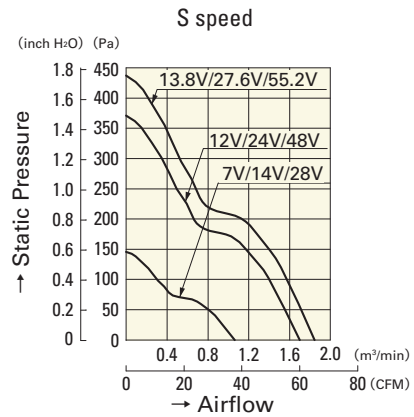
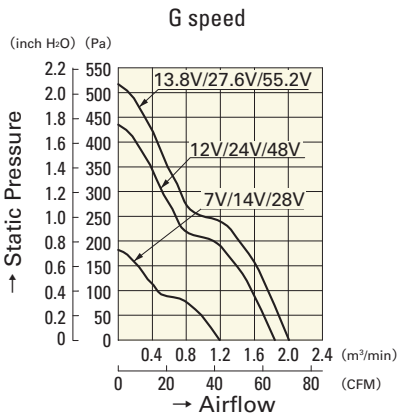


**Resin Filter Kits**

Model : 109-1003F13 (13PPI), 109-1003F20 (20PPI)  
 : 109-1003F30 (30PPI), 109-1003F40 (40PPI)



**Airflow - Static Pressure Characteristics**



- 9G0612G101**
- 9G0624G101**
- 9G0648G101**

- 9G0612S101**
- 9G0624S101**
- 9G0648S101**

- 9G0624H101**