

60mm sq.

San Ace 60

- 15mm thick (9GA type), 15mm thick (9P type)
- 20mm thick (9GA type), **20mm thick (9P type)**
- 25mm thick (9S type), 25mm thick (9G type)
- 25mm thick (9R type), 25mm thick (San Cooler) (9A type)
- 38mm thick (9GA type), 38mm thick (9GV type)
- 38mm thick (9G type)



General Specifications

- Material Frame: Plastics (Flammability: UL94V-0), Impeller: Plastics (Flammability: UL94V-1)
- Expected Life Refer to specifications (L10:Survival rate:90% at 60°C , rated voltage, and continuously run in a free air state)
- Lead Wire ⊕red ⊖black or blue (Sensor) yellow
- Storage Temperature -30°C to +70°C (Non-condensing)

60×60×20mm [Mass : 90g] **9P** type

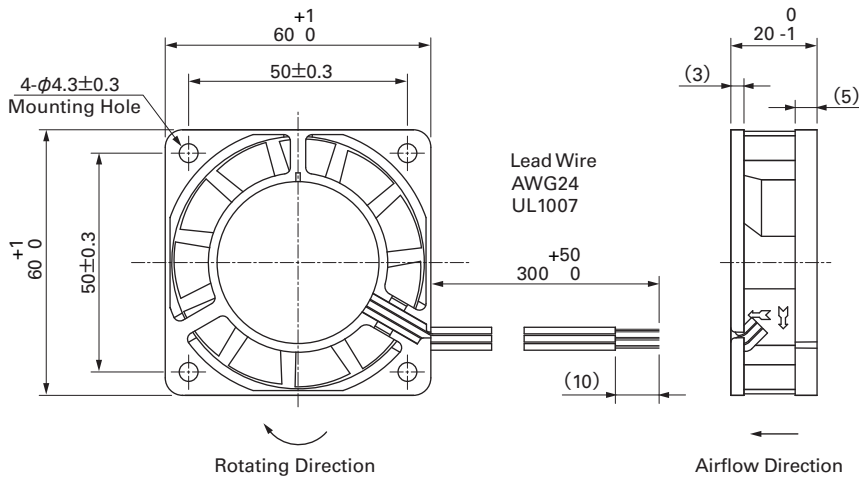
Specifications

The following nos. **have pulse sensors and ribs.**

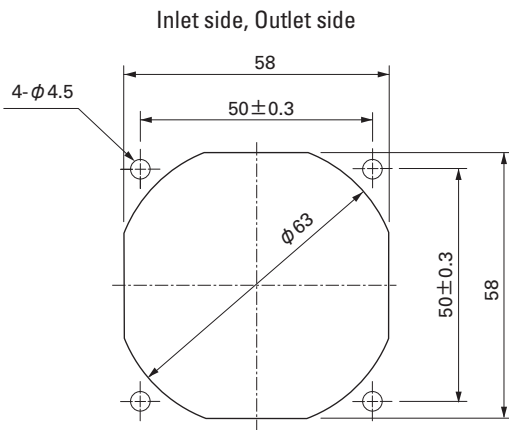
Model No.	Rated Voltage [V]	Operating Voltage Range [V]	Rated Current [A]	Rated Input [W]	Rated Speed [min ⁻¹]	Max. Airflow [m ³ /min] [CFM]	Max. Static Pressure [Pa] [inchH ₂ O]	SPL [dB(A)]	Operating Temperature [°C]	Expected Life [h]
109P0612W601	12	6 to 16	0.13	1.56	4,200	0.42 14.8	31.8 0.128	31	-20 to +70	60,000
109P0612H601		10.2 to 13.8	0.13	1.56	4,200	0.42 14.8	31.8 0.128	31		
109P0612M601			0.09	1.08	3,200	0.30 10.6	18.8 0.076	25		
109P0624W601	24	12 to 30	0.07	1.68	4,200	0.42 14.8	31.8 0.128	31		
109P0624H601		20.4 to 27.6	0.07	1.68	4,200	0.42 14.8	31.8 0.128	31		
109P0624M601			0.05	1.20	3,200	0.30 10.6	18.8 0.076	25		
109P0648H601	48	43 to 53	0.07	3.36	5,600	0.55 19.4	52.9 0.212	41	40,000	

Some models can also be equipped without sensors as an option. Please refer to the index (pp. 417 to 437).

Dimensions (unit : mm)



Reference Dimension of Mounting Holes and Vent Opening (unit : mm)



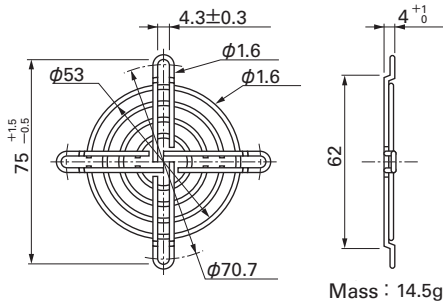
Options (unit : mm)

Finger Guards

Model : 109-139E Surface treatment : Nickel-chrome plating (silver)
 : 109-139H : Cation electropainting (black)

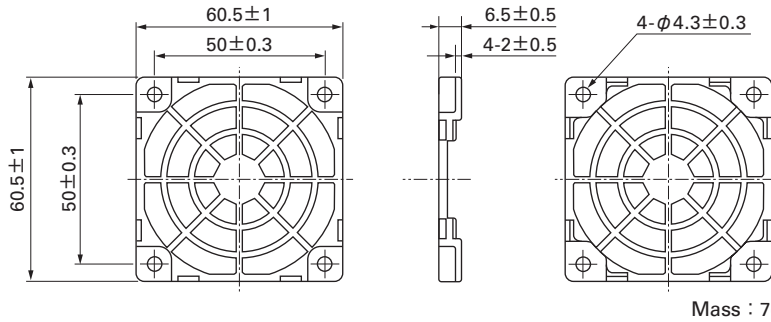
Color

Inlet side, Outlet side



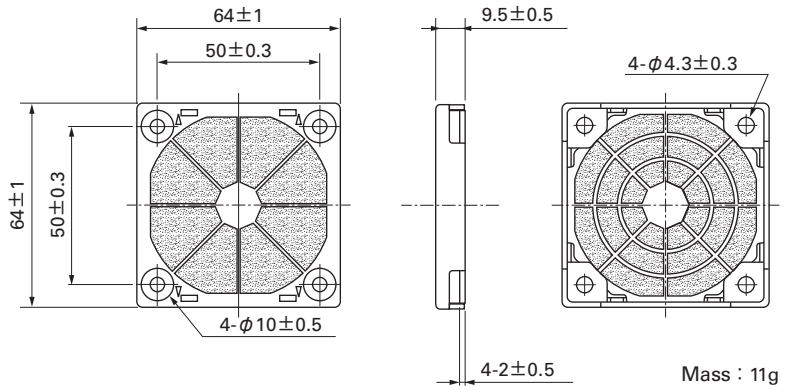
Resin Finger Guards

Model : 109-1003G

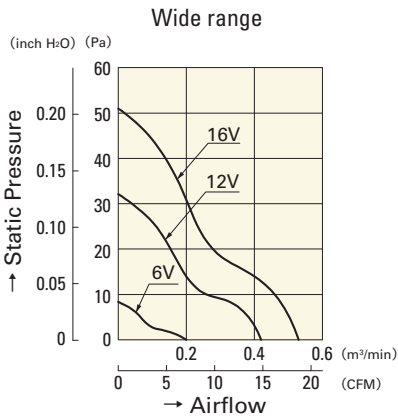


Resin Filter Kits

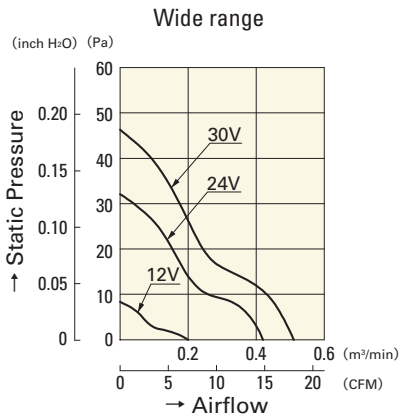
Model : 109-1003F13 (13PPI), 109-1003F20 (20PPI)
 : 109-1003F30 (30PPI), 109-1003F40 (40PPI)



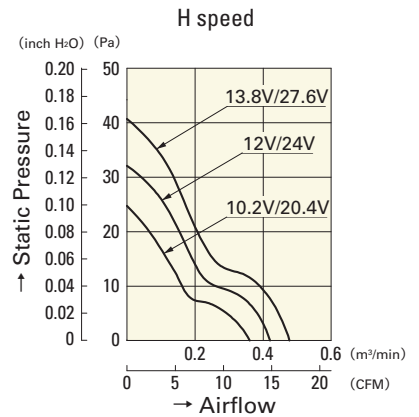
Airflow - Static Pressure Characteristics



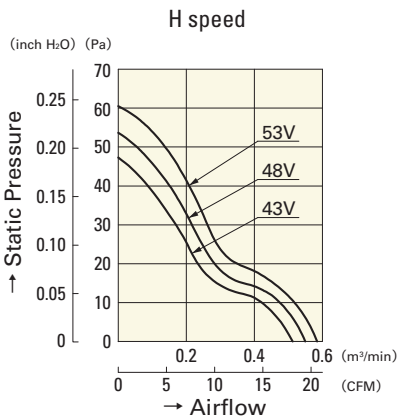
109P0612W601



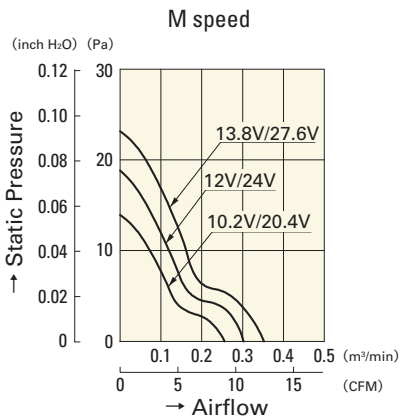
109P0624W601



109P0612H601
109P0624H601



109P0648H601



109P0612M601
109P0624M601