

60mm sq.

San Ace 60

- 15mm thick (9GA type), 15mm thick (9P type)
- 20mm thick (9GA type), 20mm thick (9P type)
- 25mm thick (9S type), 25mm thick (9G type)
- 25mm thick (9R type), 25mm thick (San Cooler) (9A type)
- 38mm thick (9GA type), 38mm thick (9GV type)
- 38mm thick (9G type)



General Specifications

- Material Frame: Plastics (Flammability: UL94V-0), Impeller: Plastics (Flammability: UL94V-0)
- Expected Life Refer to specifications (L10: Survival rate: 90% at 60°C, rated voltage, and continuously run in a free air state)
- Lead Wire ⊕red ⊖black (Sensor) yellow (Control) brown
- Storage Temperature -30°C to +70°C (Non-condensing)

60×60×20mm (Mass : 70g) **9GA type** **Low Power Consumption Fan**



Specifications

The following nos. **have PWM controls, pulse sensors, and ribs.**

Model No.	Rated Voltage [V]	Operating Voltage Range [V]	PWM duty cycle ^{Note1)} [%]	Rated Current [A]	Rated Input [W]	Rated Speed [min ⁻¹]	Max. Airflow [m ³ /min] [CFM]	Max. Static Pressure [Pa] [inchH ₂ O]	SPL [dB(A)]	Operating Temperature [°C]	Expected Life ^{Note2)} [h]
9GA0612P6G001	12	10.8 to 13.2	100	0.26	3.12	6,850	0.88 31.1	125 0.50	43	-20 to +70	40,000/60°C (70,000/40°C)
9GA0612P6S001			100	0.15	1.80	5,500	0.70 24.7	81 0.33	36		
9GA0624P6G001	24	21.6 to 26.4	100	0.12	2.88	6,850	0.88 31.1	125 0.50	43		
9GA0624P6S001			100	0.07	1.68	5,500	0.70 24.7	81 0.33	36		

Note 1: Fan does not rotate when PWM duty cycle is 0%.
 Note 2: Expected life at 40°C ambient is just reference value.

※PWM Frequency : 25kHz

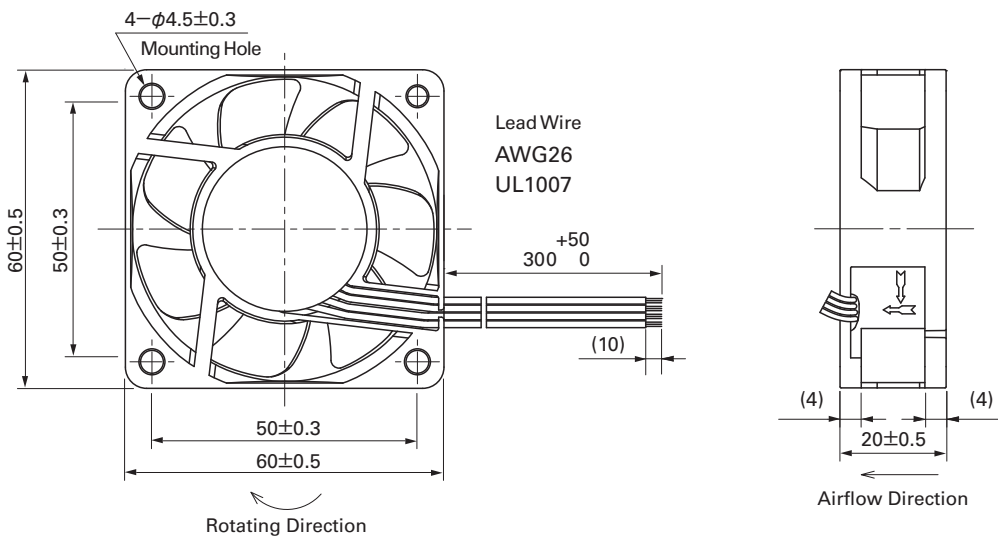
The following nos. **have pulse sensors and ribs.**

Model No.	Rated Voltage [V]	Operating Voltage Range [V]	Rated Current [A]	Rated Input [W]	Rated Speed [min ⁻¹]	Max. Airflow [m ³ /min] [CFM]	Max. Static Pressure [Pa] [inchH ₂ O]	SPL [dB(A)]	Operating Temperature [°C]	Expected Life [h]
9GA0612H6001	12	10.8 to 13.2	0.09	1.08	4,100	0.52 18.4	45 0.18	29	-20 to +70	60,000
9GA0612M6001			0.05	0.60	2,700	0.34 12.0	20 0.08	18		
9GA0624H6001	24	21.6 to 26.4	0.04	0.96	4,100	0.52 18.4	45 0.18	29		
9GA0624M6001			0.03	0.72	2,700	0.34 12.0	20 0.08	18		

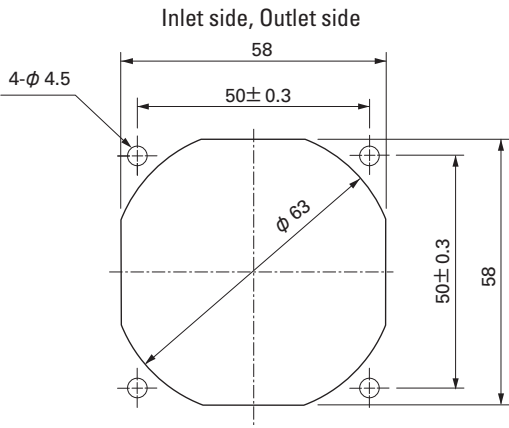
Some models can also be equipped without sensors as an option. Please refer to the index (pp. 417 to 437).

Dimensions (unit : mm)

(With PWM speed control function · With pulse sensor)



Reference Dimension of Mounting Holes and Vent Opening (unit : mm)



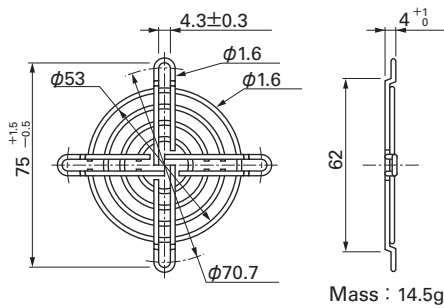
Options (unit : mm)

Finger Guards

Model : 109-139E Surface treatment : Nickel-chrome plating (silver)
 : 109-139H : Cation electropainting (black)

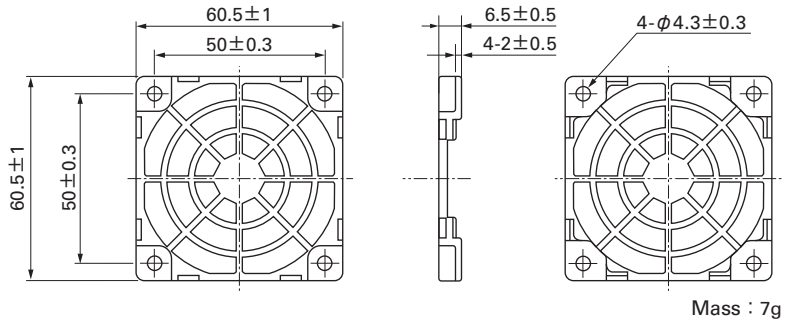
Color

Inlet side, Outlet side



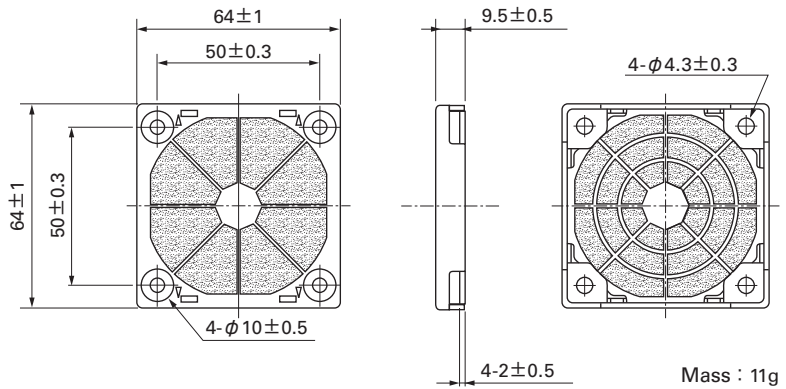
Resin Finger Guards

Model : 109-1003G



Resin Filter Kits

Model : 109-1003F13 (13PPI), 109-1003F20 (20PPI)
 : 109-1003F30 (30PPI), 109-1003F40 (40PPI)



60mm sq.

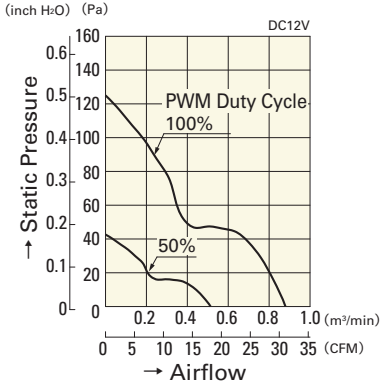
San Ace 60

60×60×20mm [Mass : 70g]

Airflow - Static Pressure Characteristics

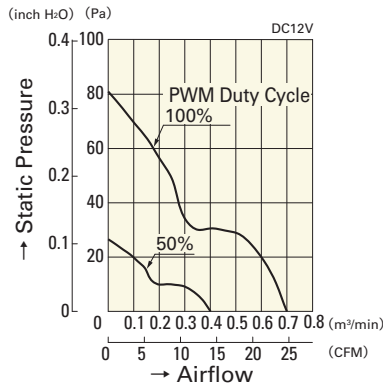
PWM Duty Cycle

With PWM speed control function · With pulse sensor



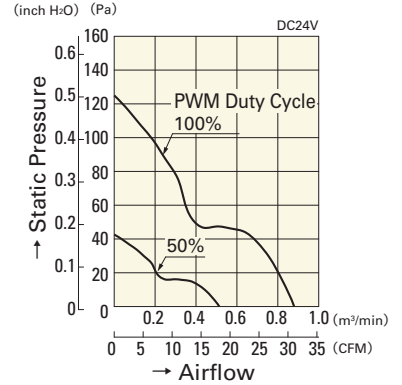
9GA0612P6G001

With PWM speed control function · With pulse sensor



9GA0612P6S001

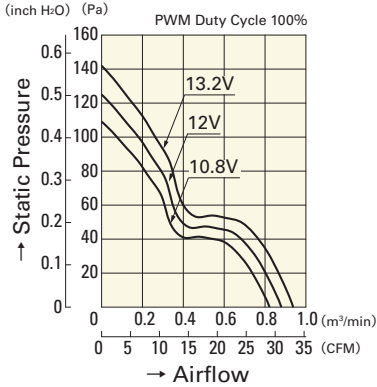
With PWM speed control function · With pulse sensor



9GA0624P6G001

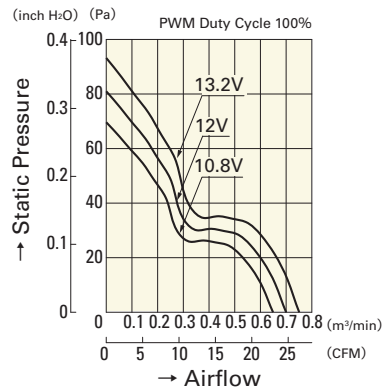
Operating Voltage Range

With PWM speed control function · With pulse sensor



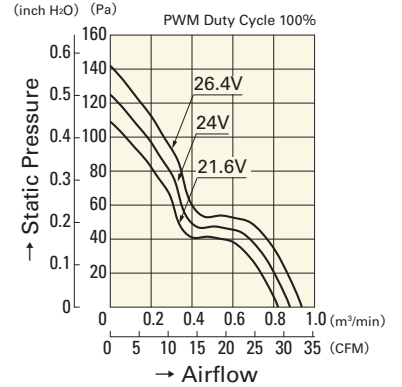
9GA0612P6G001

With PWM speed control function · With pulse sensor



9GA0612P6S001

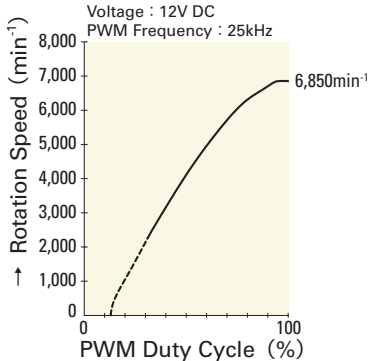
With PWM speed control function · With pulse sensor



9GA0624P6G001

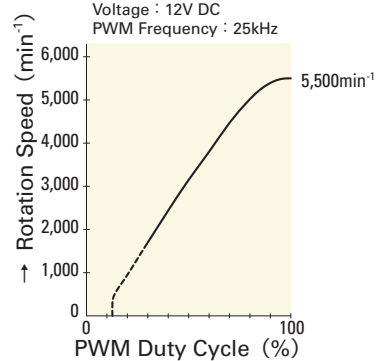
PWM Duty - Speed Characteristics Example

With PWM speed control function · With pulse sensor



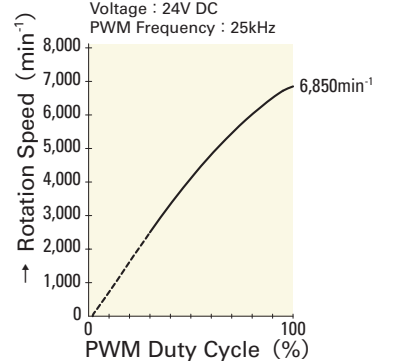
9GA0612P6G001

With PWM speed control function · With pulse sensor



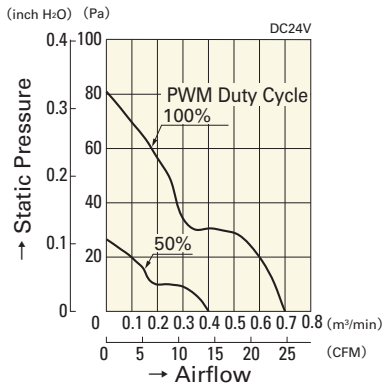
9GA0612P6S001

With PWM speed control function · With pulse sensor



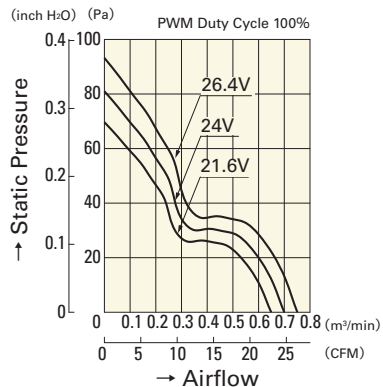
9GA0624P6G001

With PWM speed control function · With pulse sensor



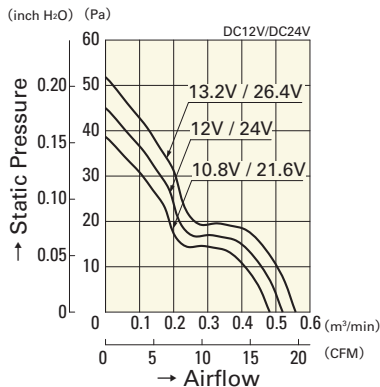
9GA0624P6S001

With PWM speed control function · With pulse sensor



9GA0624P6S001

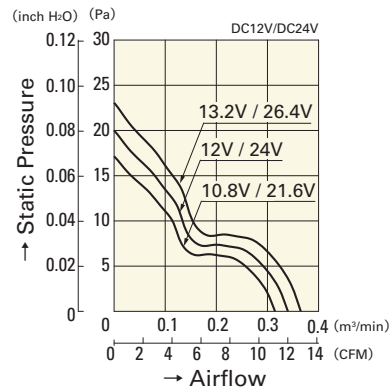
With pulse sensor



9GA0612H6001

9GA0624H6001

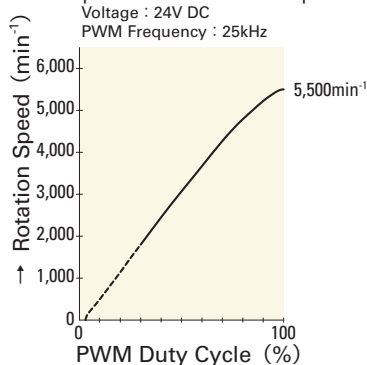
With pulse sensor



9GA0612M6001

9GA0624M6001

With PWM speed control function · With pulse sensor



9GA0624P6S001