

San Ace 60 ^{9GA type} Low Power Consumption Fan

Features

Low Power Consumption

Achieves a low power consumption of 3.24 W.*

High Static Pressure and High Airflow

Achieves a maximum static pressure of 66 Pa, and a maximum airflow of 0.62 m³/min.*

* : Specification of Model No. 9GA0612G9001.



60×60×10_{mm}

Specifications

The following nos. have **pulse sensors**.

| Model No. | Rated voltage [V] | Operating voltage range [V] | Rated current [A] | Rated input [W] | Rated speed [min ⁻¹] | Max. Aiflow [m ³ /min] [CFM] | Max. Static pressure [Pa] [inchHzO] | SPL [dB(A)] | Operating temperature [°C] | Expected life [h] |
|--------------|-------------------|-----------------------------|-------------------|-----------------|----------------------------------|---|-------------------------------------|-------------|----------------------------|------------------------------------|
| 9GA0612G9001 | 12 | 7 to 13.2 | 0.27 | 3.24 | 6,200 | 0.62 21.9 | 66 0.26 | 43 | -20 to +60 | 40,000 / 60 °C (70,000 / 40 °C) |
| 9GA0612H9001 | | 7 to 13.8 | 0.14 | 1.68 | 5,000 | 0.50 17.6 | 42.9 0.17 | 37 | -20 to +70 | |
| 9GA0612L9001 | | 7 to 13.8 | 0.03 | 0.36 | 2,300 | 0.23 8.1 | 9.1 0.037 | 17 | -10 to +70 | |

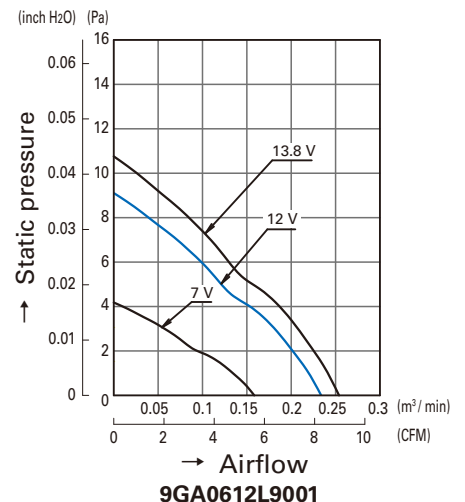
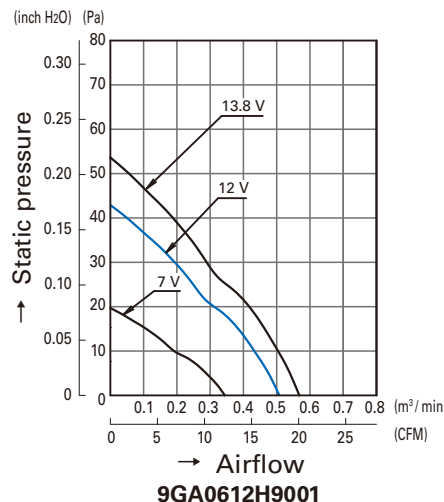
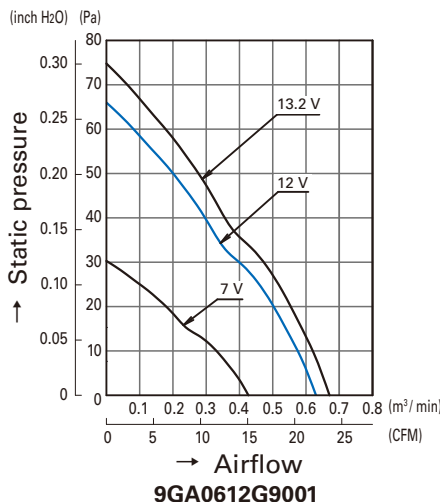
Available options: **Without sensor** **Lock sensor**

Common Specifications

- Material Frame, Impeller: Plastics (Flammability: UL94V-0)
- Expected life Refer to specifications
(L10: Survival rate: 90% at 60 °C, rated voltage, and continuously run in a free air state)
- Motor protection system Current blocking function and reverse polarity protection
- Dielectric strength 50 / 60 Hz, 500 VAC, 1 minute (between lead conductor and frame)
- Sound pressure level (SPL) Expressed as the value at 1 m from air inlet side
- Operating temperature Refer to specifications (Non-condensing)
- Storage temperature -30 °C to +70 °C (Non-condensing)
- Lead wire ⊕Red ⊖Black Sensor: Yellow
- Mass Approx. 35 g

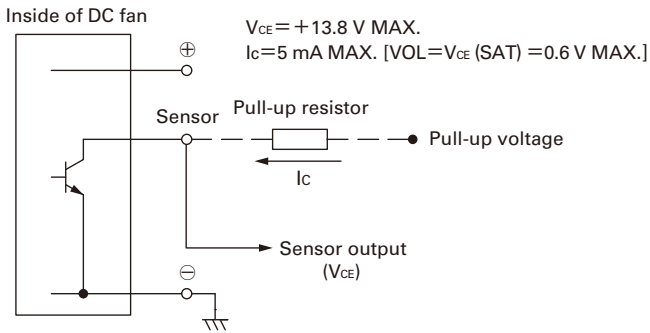
Airflow - Static Pressure Characteristics

- Operating voltage range

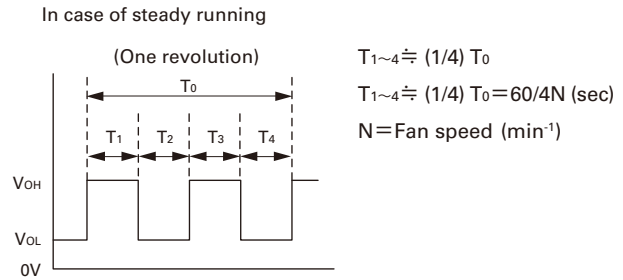


Specifications for Pulse Sensors

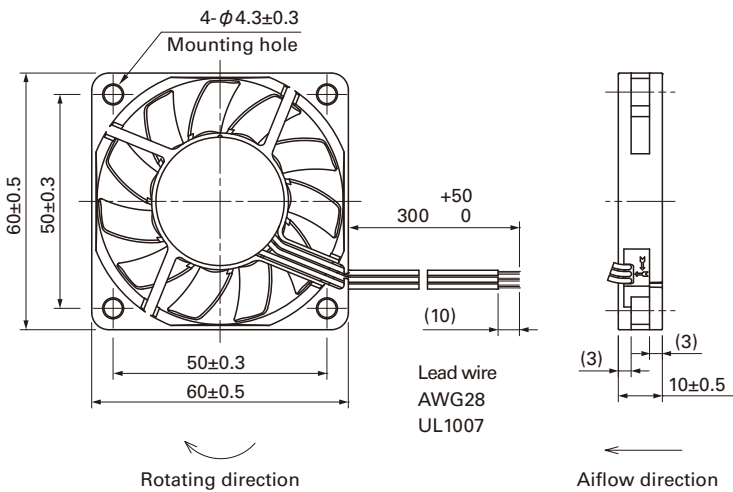
Output circuit: Open collector



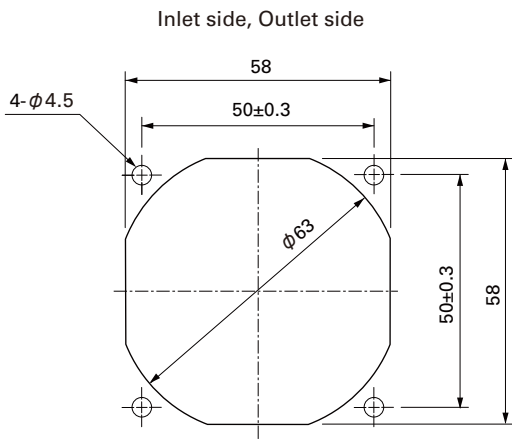
Output waveform (Need pull-up resistor)



Dimensions (unit: mm)



Reference Dimensions of Mounting Holes and Vent Opening (unit: mm)



Notice

- Please read the "Safety Instructions" on our website once you have decided on a product for use.
- The products shown in this catalog are subject to Japanese Export Control Law. Diversion contrary to the law of exporting country is prohibited.
- To protect against electrolytic corrosion that may occur in locations with strong electromagnetic noise, we provide fans that are unaffected by electrolytic corrosion.

SANYO DENKI CO., LTD. 3-33-1, Minami-Otsuka, Toshima-ku, Tokyo, 170-8451, Japan TEL: +81 3 5927 1020

<http://www.sanyodenki.com>

The names of companies and/or their products specified in this catalog are the trade names, and/or trademarks and/or registered trademarks of such respective companies.
 "San Ace" is a trademark of SANYO DENKI CO.,LTD.

Specifications are subject to change without notice.

CATALOG No. C1038B001 '14.11