

**80** mm sq.

# San Ace 80

20mm thick  
25mm thick, 38mm thick, 42mm thick



## General Specifications

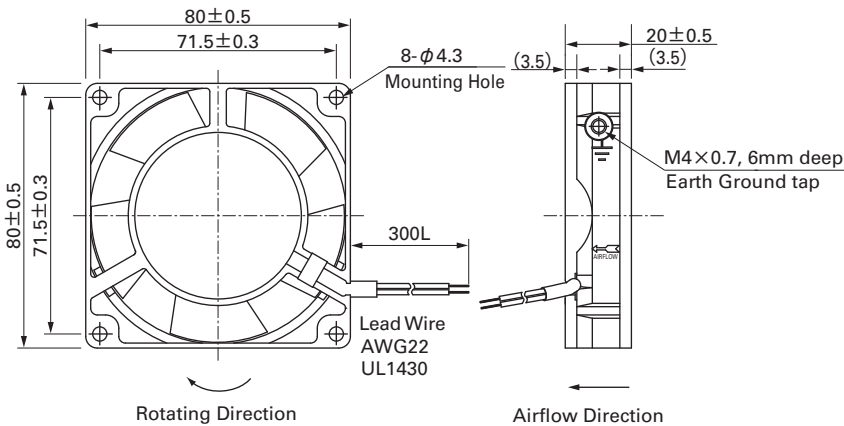
- Material ..... Frame: Aluminum,  
Impeller:Plastics (Flammability: UL94V-1)
- Expected Life ..... Refer to specifications (L10:Survival rate: 90% at 60°C ,  
rated voltage,and continuously run in a free air state)
- Dielectric Strength ..... 50/60Hz 1,500VAC 1minute (between input terminal and frame  
or between lead conductor and frame)
- Lead Wire ..... Black, 2pcs
- Storage Temperature ..... -30°C to +70°C (Non-condensing)
- Operating Voltage Range ..... Voltage of each model ± 10%

**80×80×20**mm (Mass : 180g)

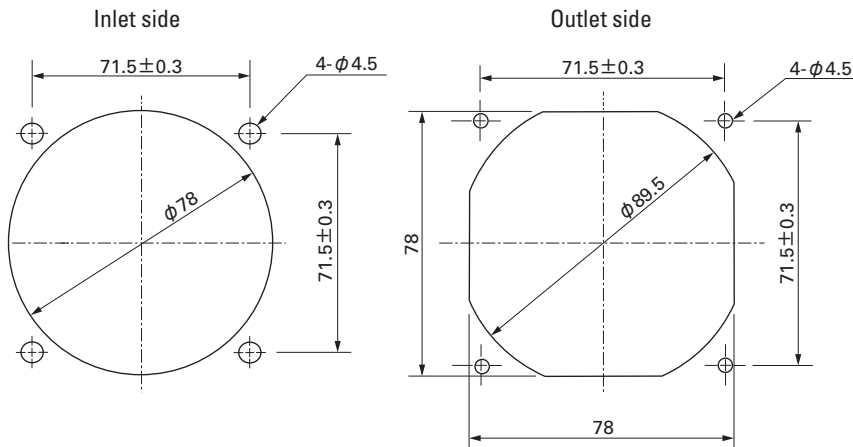
## Specifications

Model No.	Voltage [V]	Frequency [Hz]	Input [W]	Current [A]	Locked Rotor Current [A]	Rated Speed [min <sup>-1</sup> ]	Max. Airflow [m <sup>3</sup> /min] (CFM)	Max. Static Pressure [Pa] (inchH <sub>2</sub> O)	SPL [dB(A)]	Operating Temperature [°C]	Expected Life [h]
109-210	100	50/60	6/5	0.07/0.06	0.07/0.06	2,500/3,000	0.44/0.53 15.5/18.7	23.5/31.4 0.094/0.126	26/31	-30 to +60	25,000
109-213	115			0.06/0.05	0.06/0.05						

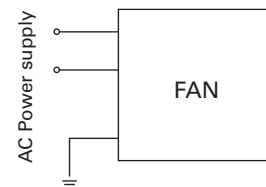
## Dimensions (unit : mm)



## Reference Dimension of Mounting Holes and Vent Opening (unit : mm)



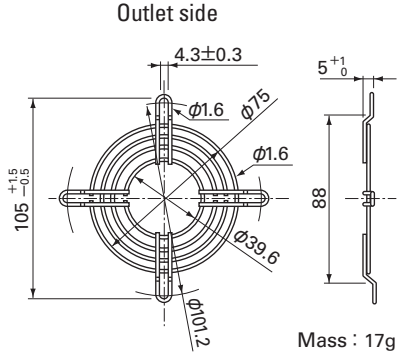
## Wiring Diagram



## Options (unit : mm)

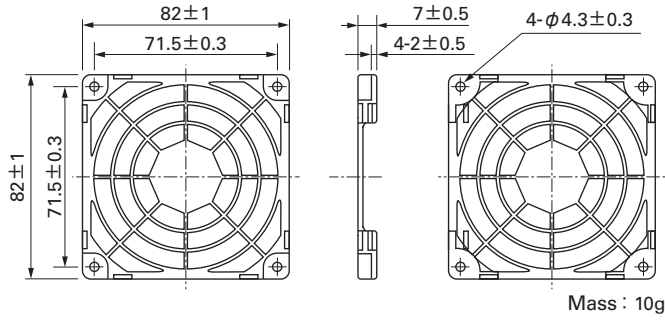
### Finger Guards

Model : 109-049C Color : Nickel-chrome plating (silver)  
 Surface treatment : Nickel-chrome plating (silver)

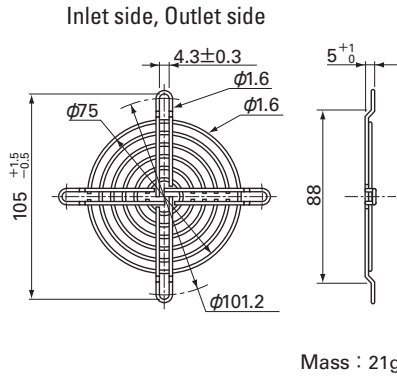


### Resin Finger Guards

Model : 109-1002G

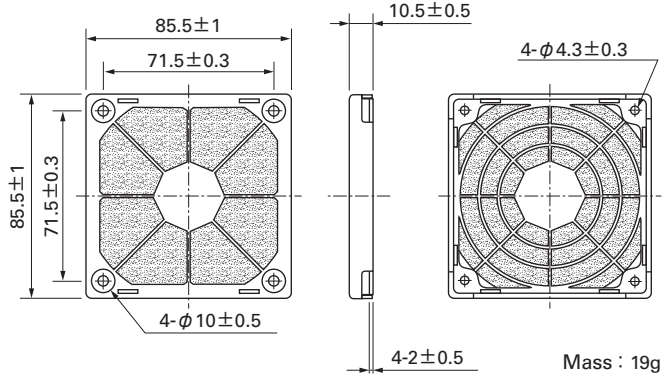


Model : 109-049E Color : Nickel-chrome plating (silver)  
 Surface treatment : Nickel-chrome plating (silver)  
 : 109-049H Color : Cation electropainting (black)

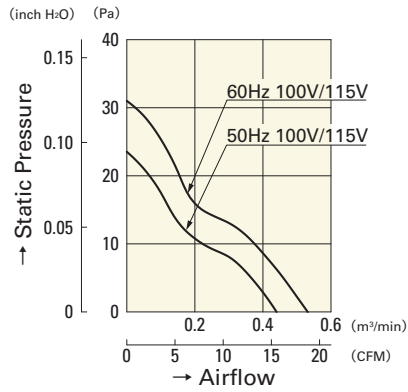


### Resin Filter Kits

Model : 109-1002F13 (13PPI), 109-1002F20 (20PPI)  
 : 109-1002F30 (30PPI), 109-1002F40 (40PPI)



## Airflow - Static Pressure Characteristics



**109-210**

**109-213**