

AC Fan San Ace 92AD

Features

Low Power Consumption

Power consumption is reduced by approximately 44% compared with our conventional AC fan.*

High Airflow and Static Pressure

The maximum airflow of the San Ace 92AD type is approximately 1.5 times and the maximum static pressure is approximately 2.3 times higher than that of our conventional AC fan.*

Long Life

The San Ace 92AD type has an expected life of 60,000 hours (approximately 6 years), approximately 2.4 times that of our conventional AC fan.*

Wide Range

A rated voltage range of 100 to 240 VAC allows for usage in both 100 VAC and 200 VAC systems. Rotation speed remains constant even at different input voltages.

*: Our conventional AC fan is 92 x 92 x 25 mm "San Ace 92", Model No. 109S091 (50Hz 100V).



92×92×38mm

Specifications

The model no. below has **ribs and no sensors**. For models without ribs, append "1" to the model no.

Model No.	Rated voltage [V]	Operating voltage range [V]	Frequency (Note) [Hz]	Rated current [A]	Rated input [W]	Rated speed [min ⁻¹]	Max. Airflow [m ³ /min] [CFM]	Max. Static pressure [Pa] [inchH ₂ O]	SPL [dB(A)]	Operating temperature [°C]	Expected life [h]
9AD0901H12	100 to 240	90 to 264	50 / 60	0.08	4.5	3,850	1.50 53.0	90 0.36	40	-20 to +75	60,000 / 60 °C
9AD0901M12				0.06	3.0	3,100	1.18 41.7	56 0.22	33		

Note: 50/60 Hz compatible.

The model no. below has **ribs and low-speed sensors**. For models without ribs, append "1" to the model no.

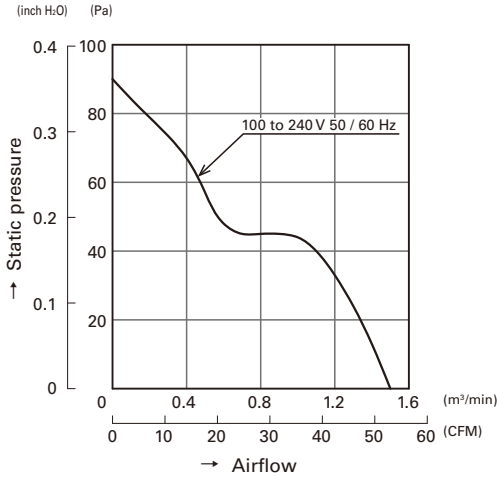
Model No.	Rated voltage [V]	Operating voltage range [V]	Frequency (Note) [Hz]	Rated current [A]	Rated input [W]	Rated speed [min ⁻¹]	Max. Airflow [m ³ /min] [CFM]	Max. Static pressure [Pa] [inchH ₂ O]	SPL [dB(A)]	Operating temperature [°C]	Expected life [h]
9AD0901H1H	100 to 240	90 to 264	50 / 60	0.08	4.5	3,850	1.50 53.0	90 0.36	40	-20 to +75	60,000 / 60 °C
9AD0901M1H				0.06	3.0	3,100	1.18 41.7	56 0.22	33		

Note: 50/60 Hz compatible.

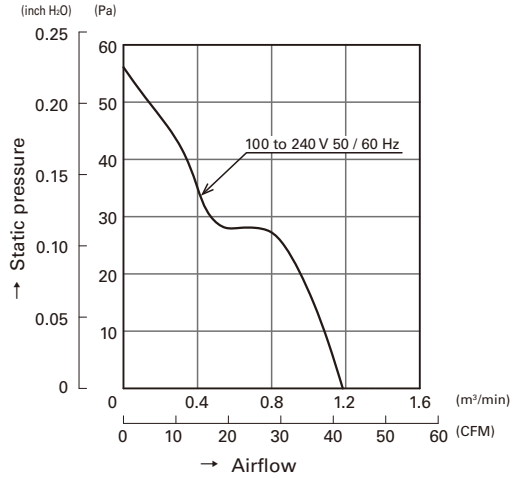
Common Specifications

- Material Frame: Plastics (Flammability: UL94V-0), Impeller: Plastics (Flammability: UL94V-0)
- Expected Life Refer to specifications
(L10: Survival rate: 90% at 60 °C, rated voltage, and continuously run in a free air state)
- Motor Protection System Burnout protection at locked rotor condition
- Dielectric Strength 50/60 Hz, 1,500 VAC, 1 minute
(between power terminal and frame or between lead conductor and frame)
- Sound Pressure Level (SPL) Expressed as the value at 1 m from air inlet side
- Operating Temperature Refer to specifications (Non-condensing)
- Storage Temperature -30 °C to +75 °C (Non-condensing)
- Mass Approx. 250 g

Airflow - Static Pressure Characteristics



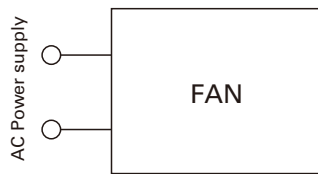
9AD0901H12
9AD0901H1H



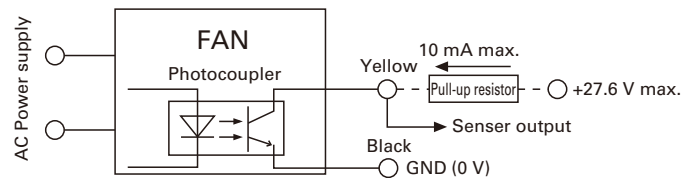
9AD0901M12
9AD0901M1H

Wiring Diagram

Standard



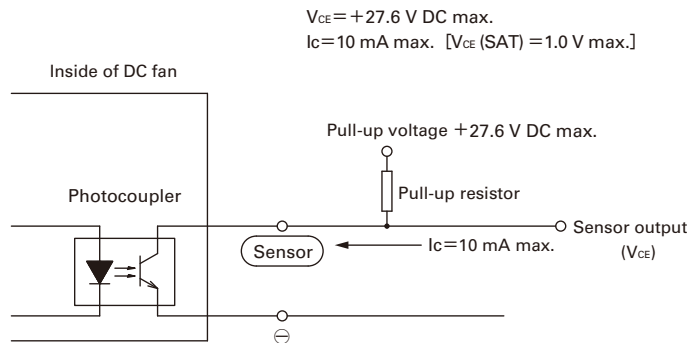
with Sensor



Specifications for Low-speed Sensors

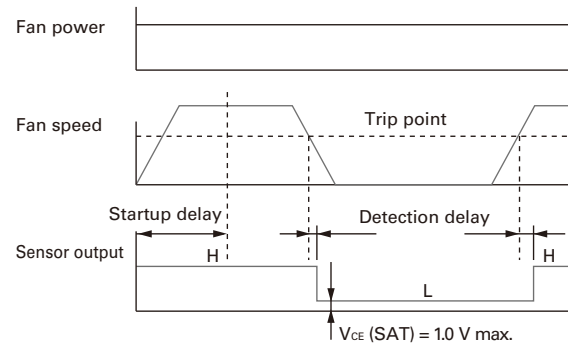
Typical standard model: 9AD0901H1H

Output circuit: Open collector

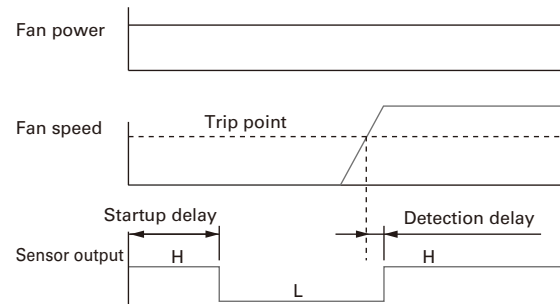


Sensor scheme

Example 1: when steady running



Example 2: when the rotor is locked when the fan motor is turned on and released after the start-up delay time.



9AD0901H1H

Startup delay: $18 \pm 3 \text{ sec.}$

Detection delay: 3 sec. max.

Trip point: $1,700 \text{ min}^{-1}$

9AD0901M1H

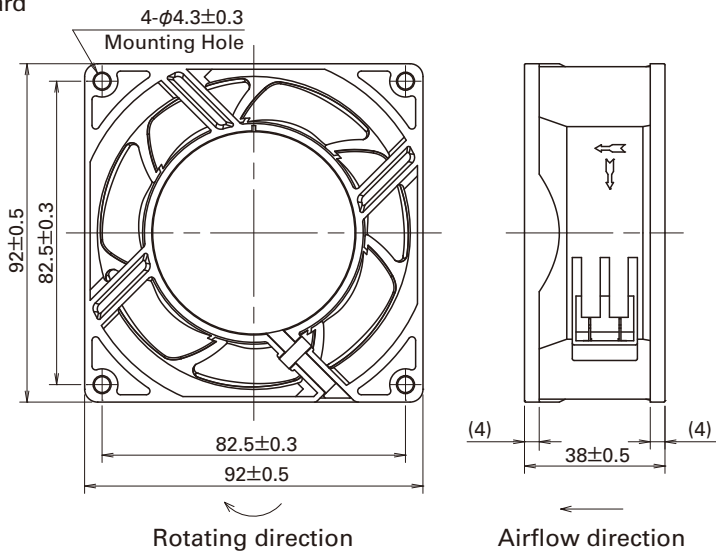
Startup delay: $36 \pm 3 \text{ sec.}$

Detection delay: 3 sec. max.

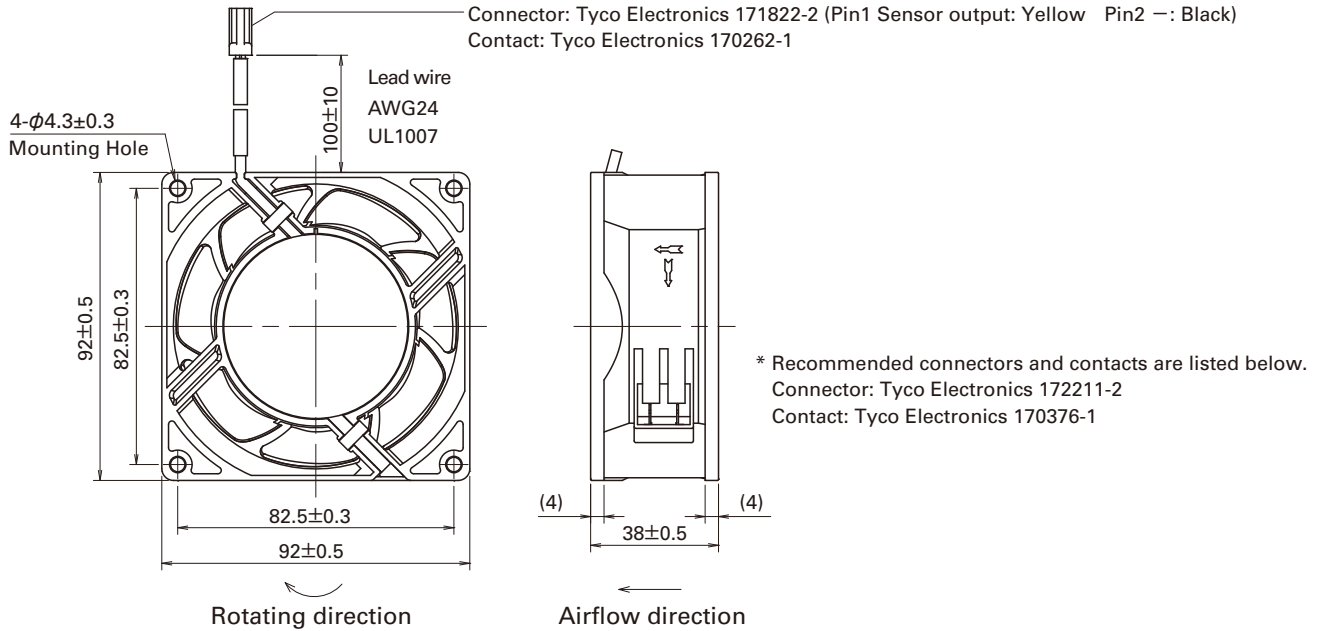
Trip point: 850 min^{-1}

■ Dimensions (unit: mm) (With ribs)

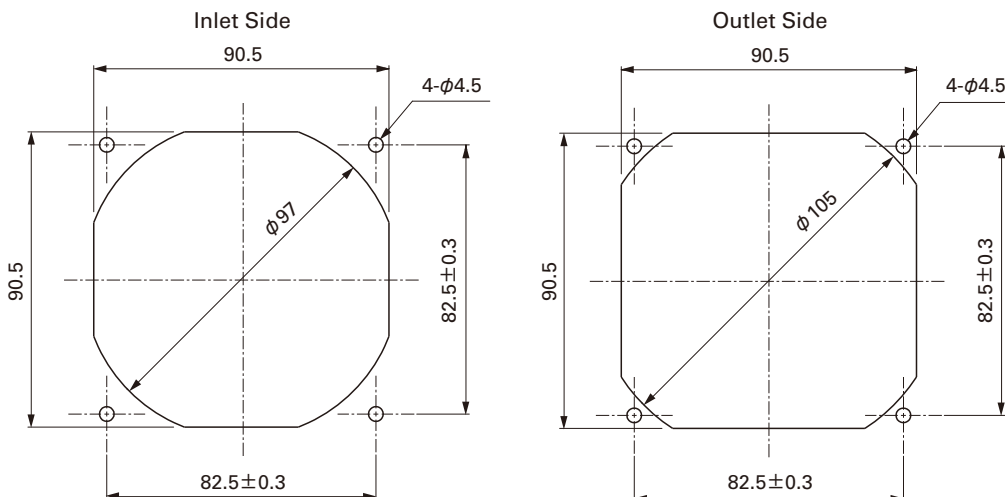
Standard



with Sensor



■ Reference Dimension of Mounting Holes and Vent Opening (unit: mm)



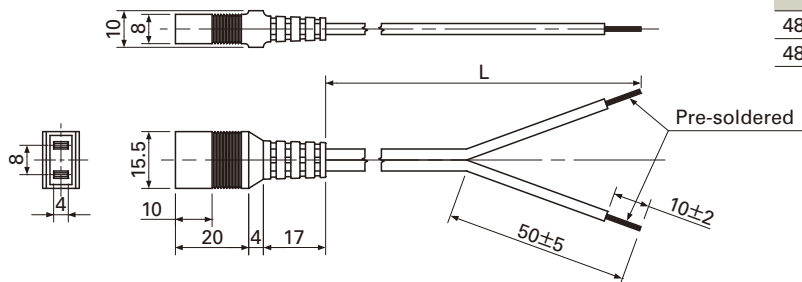
Option (unit: mm)

Plug cord

Model: 489-1635-L10, 489-1635-L21

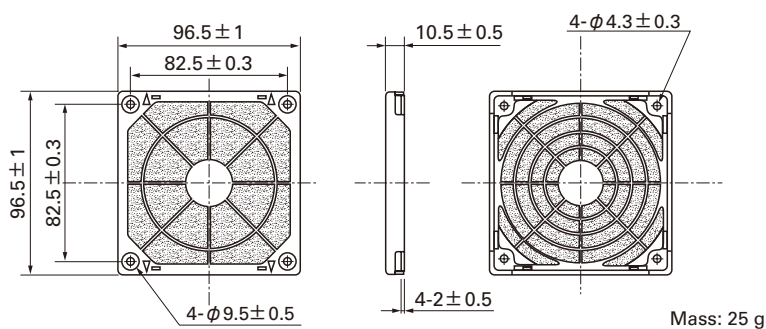
Products compliant with Electrical Appliance and Material Safety Law,
UL/CSA [c-UL] Certified UL FILE No.E43202

Model	Power cord length (L) [mm]	Mass [g]
489-1635-L10	1,000	38
489-1635-L21	2,100	74



Resin filter kits

Model: 109-1001F13 (13PPI), 109-1001F20 (20PPI), 109-1001F30 (30PPI), 109-1001F40 (40PPI)



Finger guards

Model: 109-099C Surface treatment: Nickel-chrome plating (silver)

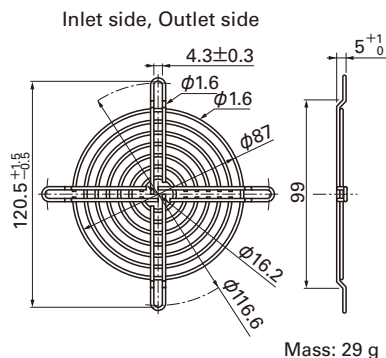
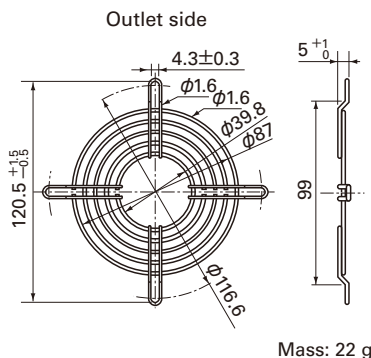
Color

Model: 109-099E Surface treatment: Nickel-chrome plating (silver)

Color

: 109-099H

: Cation electropainting (black)



Notice

- Please read the "Safety Instructions" on our website once you have decided on a product for use.
- The products shown in this catalog are subject to Japanese Export Control Law. Diversion contrary to the law of exporting country is prohibited.
- To protect against electrolytic corrosion that may occur in locations with strong electromagnetic noise, we provide fans that are unaffected by electrolytic corrosion.

SANYO DENKI CO., LTD. 3-33-1, Minami-Otsuka, Toshima-ku, Tokyo, 170-8451, Japan TEL: +81 3 5927 1020

<http://www.sanyodenki.com>

The names of companies and/or their products specified in this catalog are the trade names, and/or trademarks and/or registered trademarks of such respective companies.
"San Ace" is a trademark of SANYO DENKI CO.,LTD.

Specifications are subject to change without notice.

CATALOG No. C1051B001 '15.6