

140mm sq.

San Ace 140W

38mm thick (9W type), 51mm thick (9WB type)



General Specifications

- Material Frame: Aluminum,
Impeller: Plastics (Flammability: UL94V-1)
- Expected Life Refer to specifications (Indoor, L10:Survival rate: 90% at 60°C, rated voltage, and continuously run in a free air state)
- Lead Wire ⊕red ⊖black or blue (Sensor) yellow
- Storage Temperature -30°C to +70°C (Non-condensing)

140×140×51mm (Mass : 700g) **IP 68** **9WB type**

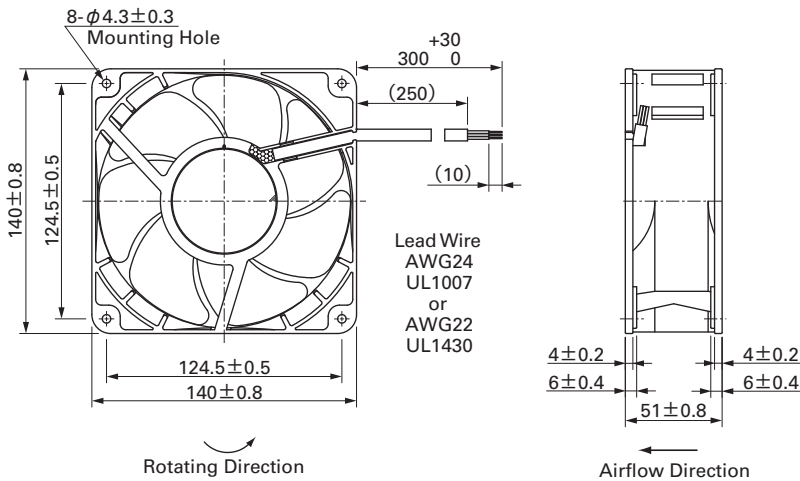
Specifications

The following nos. **have pulse sensors.**

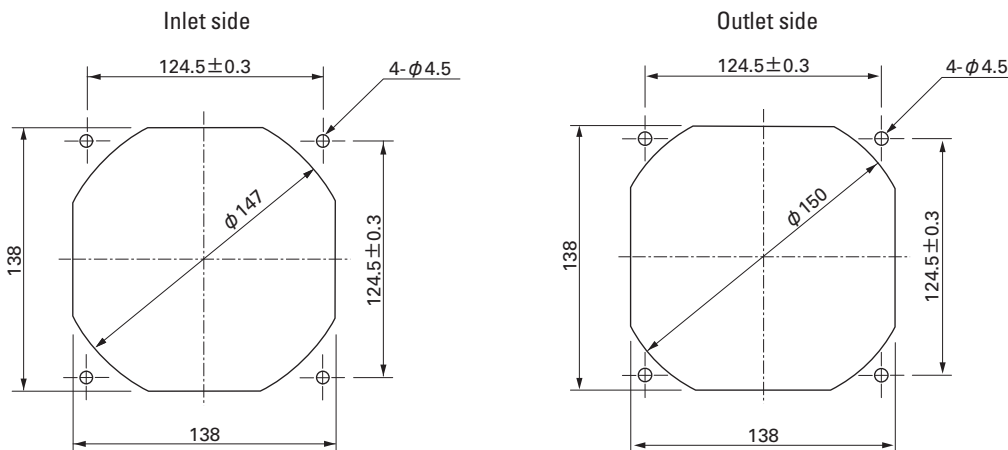
Model No.	Rated Voltage [V]	Operating Voltage Range [V]	Rated Current [A]	Rated Input [W]	Rated Speed [min ⁻¹]	Max. Airflow [m ³ /min] [CFM]	Max. Static Pressure [Pa] [inchH ₂ O]	SPL [dB(A)]	Operating Temperature [°C]	Expected Life [h]
9WB1412S501	12	10.2 to 13.8	2.7	32.4	4,200	8.1 286.2	240 0.96	57	- 20 to + 70	60,000
9WB1412H501			1.25	15	3,100	5.9 208.5	130 0.52	49		100,000
9WB1412M501			0.46	5.52	2,050	3.9 138	63 0.25	39		100,000
9WB1424H501	24	20.4 to 27.6	0.6	14.4	3,100	5.9 208.5	130 0.52	49		60,000
9WB1424M501			0.22	5.28	2,050	3.9 138	63 0.25	39		100,000
9WB1448S501	48	40.8 to 55.2	0.71	34.08	4,200	8.1 286.2	240 0.96	57		60,000
9WB1448H501			0.27	12.96	3,100	5.9 208.5	130 0.52	49	100,000	

Some models can also be equipped without sensors as an option. Please refer to the index (pp. 417 to 437).

Dimensions (unit : mm)



Reference Dimension of Mounting Holes and Vent Opening (unit : mm)



Options (unit : mm)

Finger Guards

Model : 109-719

Surface treatment : Nickel-chrome plating

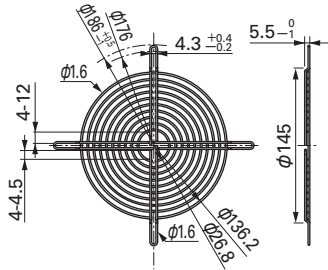
Color (silver)

Model : 109-719H

Surface treatment : Cation electropainting

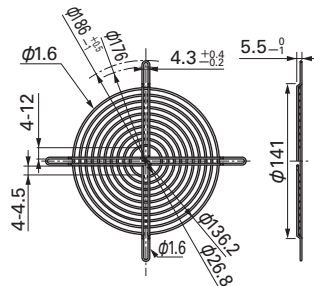
Color (black)

Inlet side, Outlet side



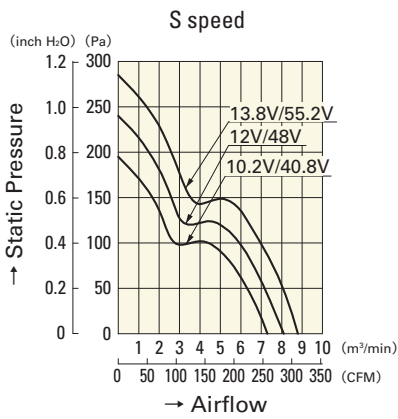
Mass : 51g

Inlet side, Outlet side



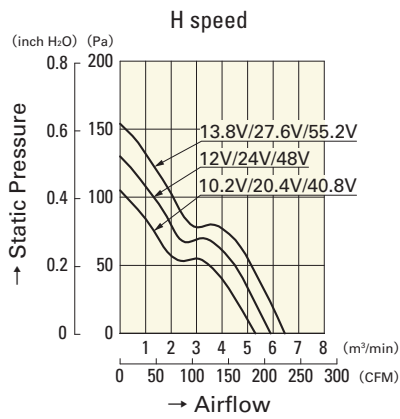
Mass : 51g

Airflow - Static Pressure Characteristics



9WB1412S501

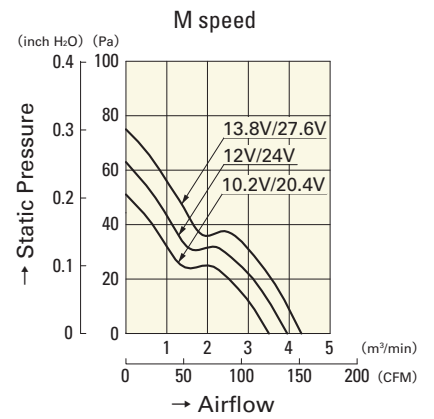
9WB1448S501



9WB1412H501

9WB1424H501

9WB1448H501



9WB1412M501

9WB1424M501