

92mm sq.

San Ace 92WS

- 25mm thick (9WL type)
- 25mm thick (9WS type)
- 25mm thick (9WP type)
- 38mm thick (9VV type)



General Specifications

- Material Frame: Plastics (Flammability: UL94V-0),
Impeller: Plastics (Flammability: UL94V-1)
- Expected Life Refer to specifications (Indoor, L10:Survival rate: 90% at 60°C,
rated voltage, and continuously run in a free air state)
- Lead Wire ⊕red ⊖black or blue (Sensor) yellow
- Storage Temperature -30°C to +70°C (Non-condensing)

92×92×25mm (Mass : 150g) **IP 54** **9WS type**

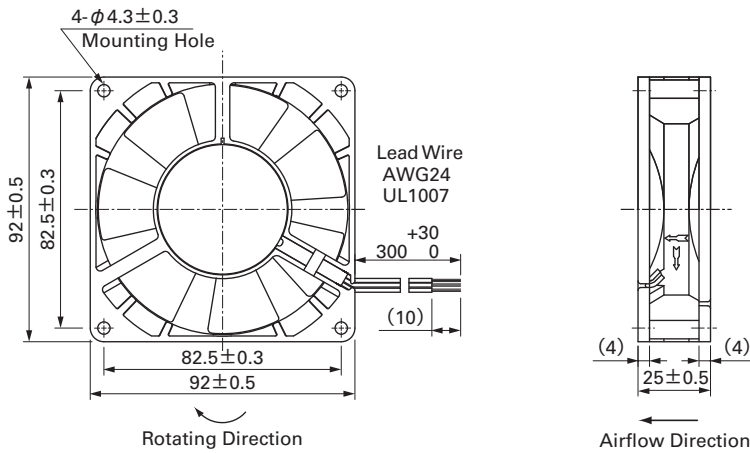
Specifications

The following nos. have pulse sensors and ribs.

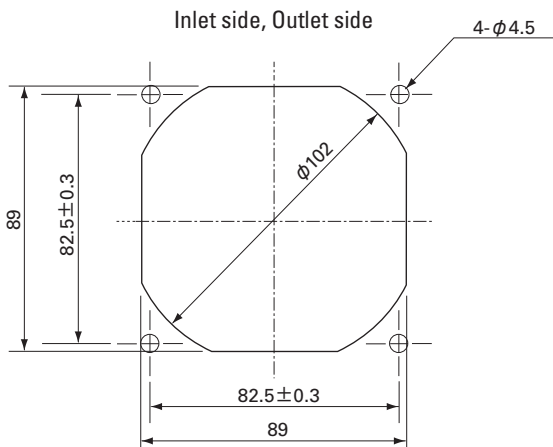
Model No.	Rated Voltage [V]	Operating Voltage Range [V]	Rated Current [A]	Rated Input [W]	Rated Speed [min ⁻¹]	Max. Airflow [m ³ /min] [CFM]	Max. Static Pressure [Pa] [inchH ₂ O]	SPL [dB(A)]	Operating Temperature [°C]	Expected Life [h]
9WS0912H401	12	10.2 to 13.8	0.17	2.04	2,850	1.38 48.7	45.1 0.181	33	- 20 to + 70	40,000
9WS0912F401			0.13	1.56	2,450	1.18 41.7	32.3 0.130	30		
9WS0912M401			0.1	1.2	2,100	1.01 35.7	23.5 0.094	27		
9WS0912L401			0.06	0.72	1,700	0.8 28.2	16.7 0.067	23		
9WS0924H401	24	20.4 to 27.6	0.1	2.4	2,850	1.38 48.7	45.1 0.181	33		
9WS0924F401			0.07	1.68	2,450	1.18 41.7	32.3 0.130	30		
9WS0924M401			0.06	1.44	2,100	1.01 35.7	23.5 0.094	27		
9WS0924L401			0.05	1.2	1,700	0.8 28.2	16.7 0.067	23		

Some models can also be equipped without sensors as an option. Please refer to the index (pp. 417 to 437).

Dimensions (unit : mm)



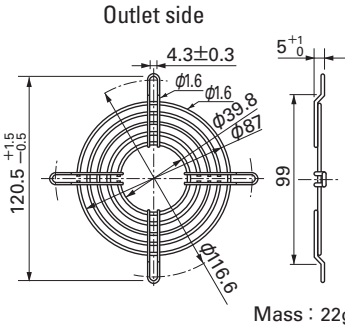
Reference Dimension of Mounting Holes and Vent Opening (unit : mm)



Options (unit : mm)

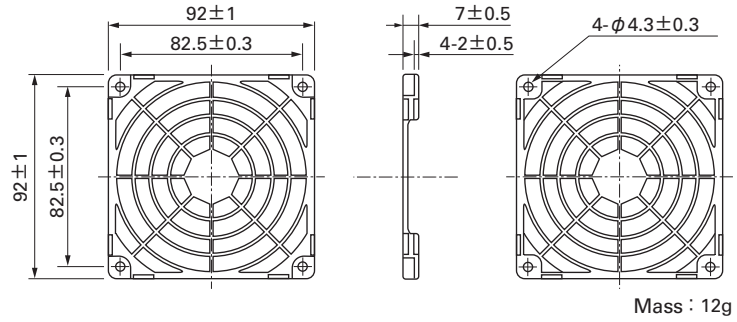
Finger Guards

Model : 109-099C Surface treatment : Nickel-chrome plating (silver) Color : Nickel-chrome plating (silver)



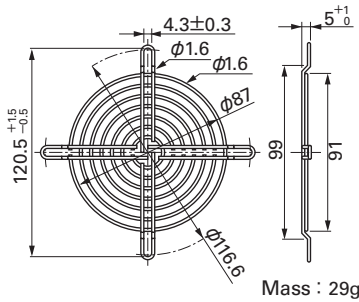
Resin Finger Guards

Model : 109-1001G

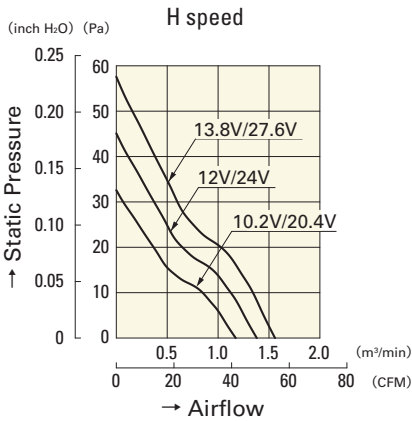


Model : 109-099E Surface treatment : Nickel-chrome plating (silver) Color : Nickel-chrome plating (silver)
: 109-099H : Cation electropainting (black)

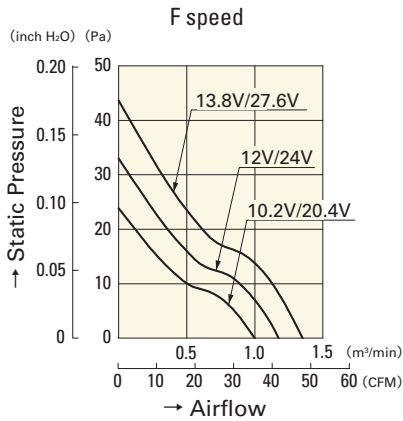
Inlet side, Outlet side



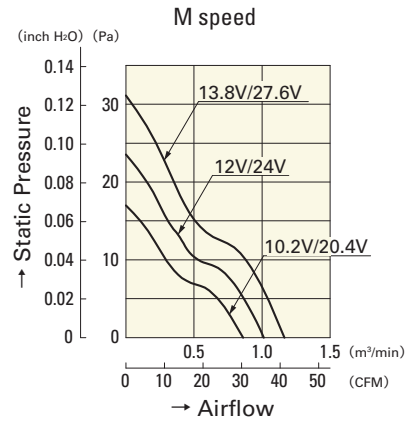
Airflow - Static Pressure Characteristics



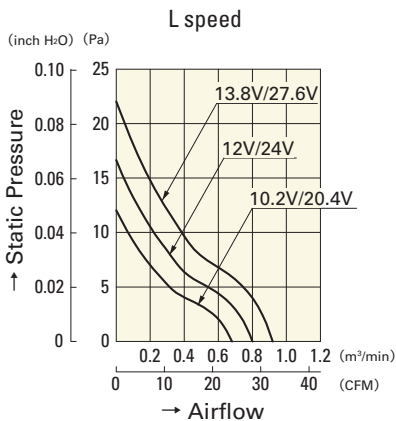
9WS0912H401
9WS0924H401



9WS0912F401
9WS0924F401



9WS0912M401
9WS0924M401



9WS0912L401
9WS0924L401

DC
Splash Proof Fan 92mm