

92mm sq.

San Ace 92W

- 25mm thick (9WL type)
- 25mm thick (9WS type)
- 25mm thick (9WP type)
- 38mm thick (9WV type)



General Specifications

- Material Frame: Aluminum (Black coating),
Impeller: Plastics (Flammability: UL94V-1)
- Expected Life Refer to specifications (L10:Survival rate:90% at 60°C ,
rated voltage, and continuously run in a free air state)
- Lead Wire ⊕red ⊖black (Sensor) yellow (Control) brown
- Storage Temperature -30°C to +70°C (Non-condensing)

92×92×25mm (Mass : 170g) **IP 68** **9WL type** **High Airflow Long Life Fan**

Specifications

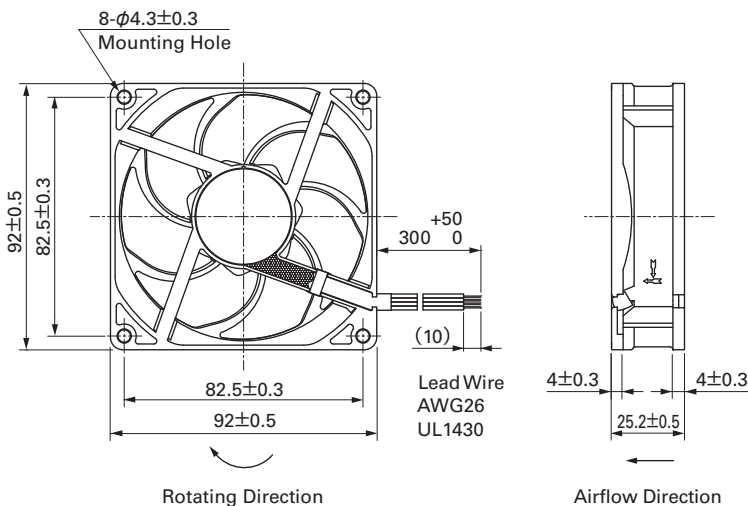
The following nos. **have PWM controls and pulse sensors.**

Model No.	Rated Voltage [V]	Operating Voltage Range [V]	PWM duty cycle ^(Note 2) [%]	Rated Current [A]	Rated Input [W]	Rated Speed [min ⁻¹]	Max. Airflow [m ³ /min] [CFM]	Max. Static Pressure [Pa] [inchH ₂ O]	SPL [dB(A)]	Operating Temperature Range [°C]	Expected Life [h]		
9WL0912P4J001	12	10.8 to 13.2	100	0.42	5.04	5,000	2.2 77.7	105 0.42	44	-20 to +70	180,000		
			20	0.04	0.48	1,200	0.52 18.4	6.04 0.024	11				
9WL0912P4G001			100	0.30	3.60	4,400	1.93 68.2	81 0.33	40				
			20	0.04	0.48	1,000	0.43 15.1	4.18 0.016	8				
9WL0912P4S001			100	0.22	2.64	3,850	1.69 59.7	62.1 0.25	37				
			30	0.04	0.48	1,400	0.61 21.5	8.21 0.032	13				
9WL0912P4H001			100	0.15	1.80	3,150	1.38 48.7	41.6 0.17	32				
			30	0.04	0.48	1,100	0.48 16.9	5.07 0.020	9				
9WL0924P4J001			24	21.6 to 26.4	100	0.21	5.04	5,000	2.2 77.7			105 0.42	44
					20	0.02	0.48	1,100	0.48 16.9			5.07 0.020	9
9WL0924P4S001					100	0.11	2.64	3,850	1.69 59.7			62.1 0.25	37
					30	0.02	0.48	1,300	0.57 20.1			7.08 0.028	12
9WL0924P4H001	100	0.07			1.68	3,150	1.38 48.7	41.6 0.17	32				
	30	0.02			0.48	1,000	0.43 15.1	4.18 0.016	8				

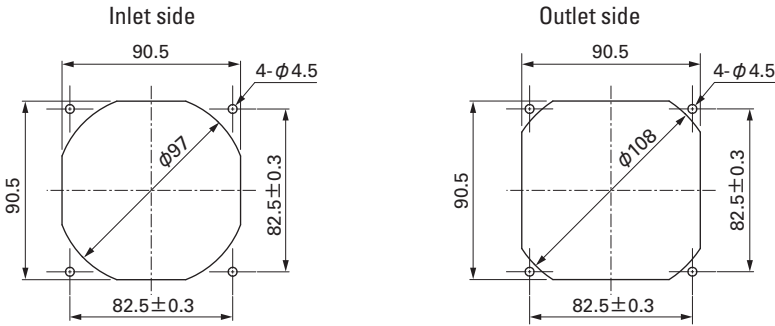
Note : Fan does not rotate when PWM duty cycle is 0%.

※PWM Frequency : 25kHz

Dimensions (unit : mm)



Reference Dimension of Mounting Holes and Vent Opening (unit : mm)

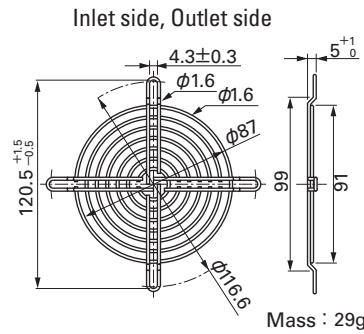
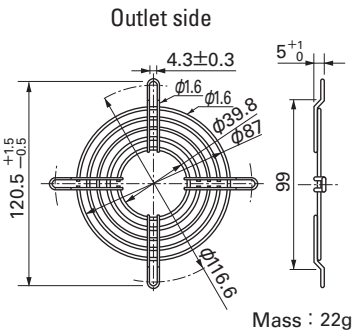


Options (unit : mm)

Finger Guards

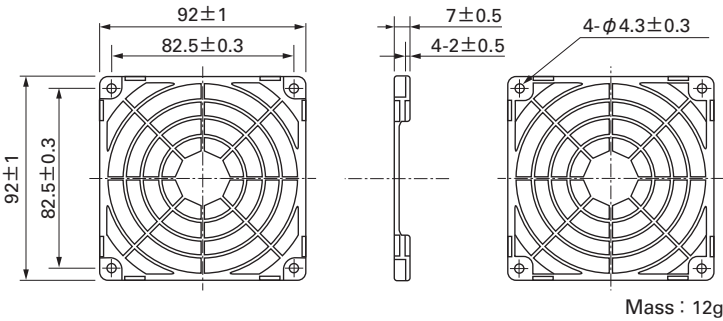
Model : 109-099C Color Surface treatment : Nickel-chrome plating (silver)

Model : 109-099E Color Surface treatment : Nickel-chrome plating (silver)
: 109-099H Color Surface treatment : Cation electropainting (black)



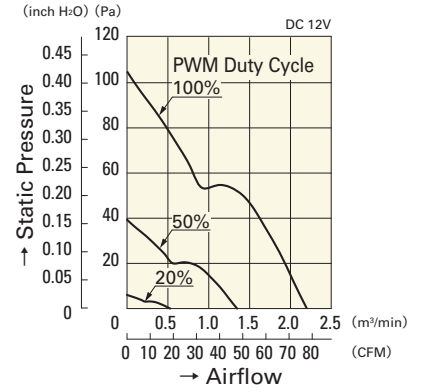
Resin Finger Guards

Model : 109-1001G



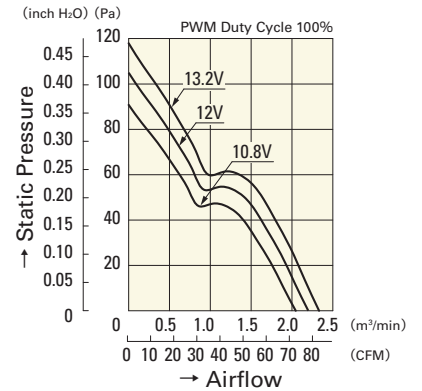
Airflow - Static Pressure Characteristics

PWM Duty Cycle



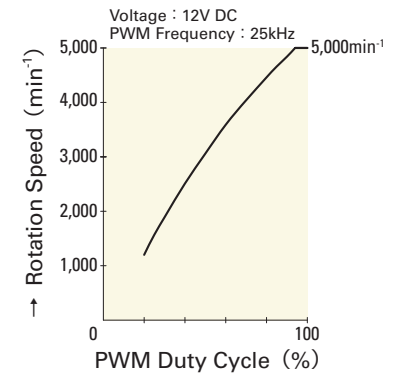
9WL0912P4J001

Operating Voltage Range



9WL0912P4J001

PWM Duty - Speed Characteristics Example



9WL0912P4J001

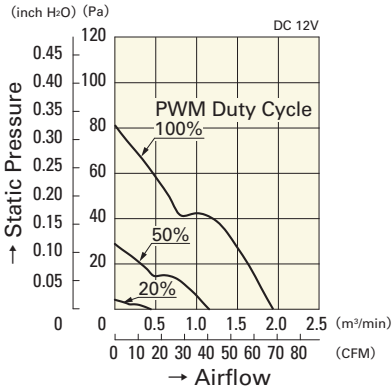
92mm sq.

San Ace 92W

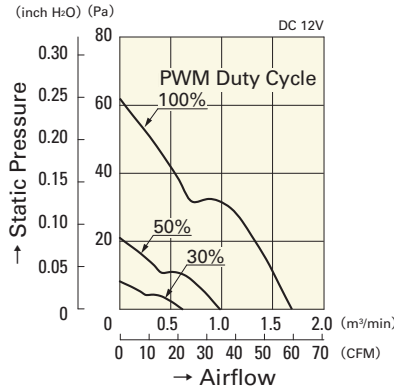
92×92×25mm [Mass : 170g]

Airflow - Static Pressure Characteristics

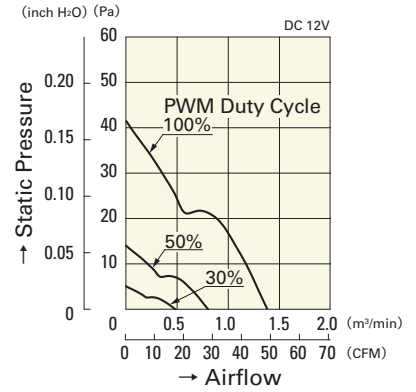
PWM Duty Cycle



9WL0912P4G001

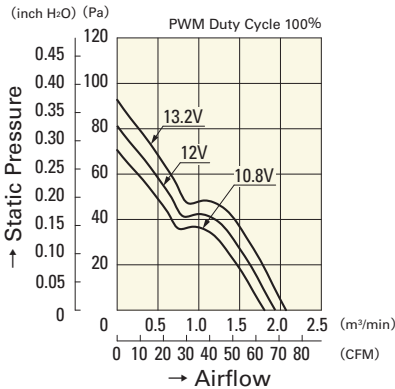


9WL0912P4S001

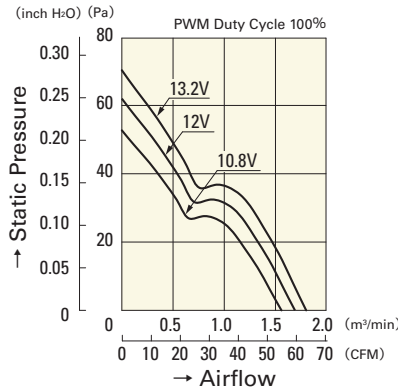


9WL0912P4H001

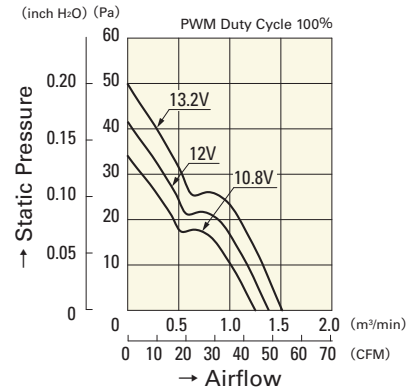
Operating Voltage Range



9WL0912P4G001

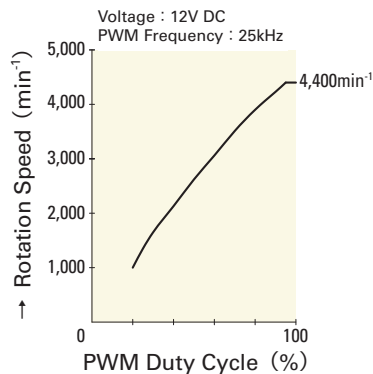


9WL0912P4S001

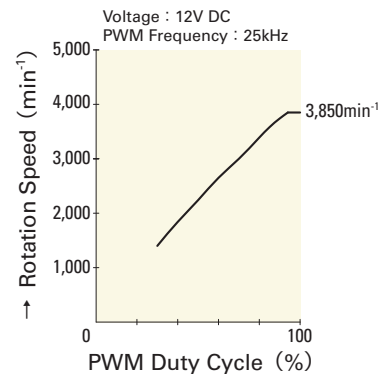


9WL0912P4H001

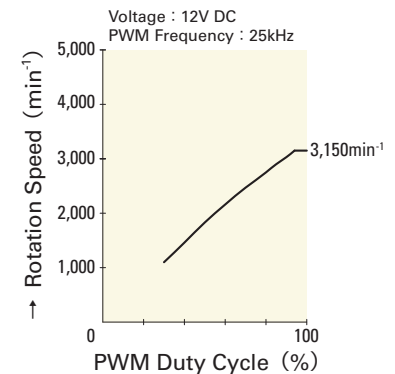
PWM Duty - Speed Characteristics Example



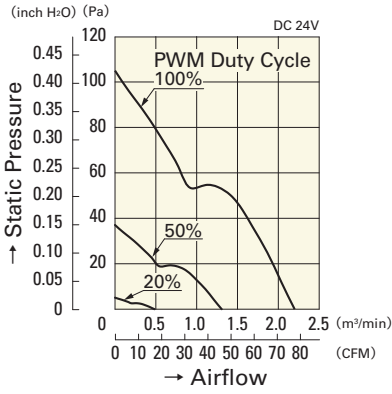
9WL0912P4G001



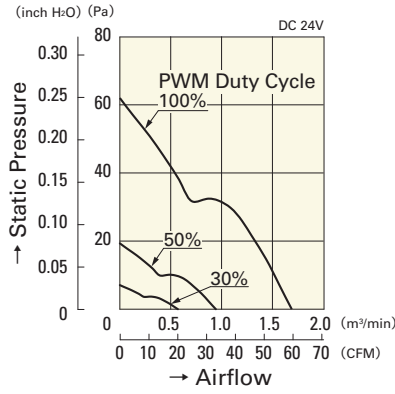
9WL0912P4S001



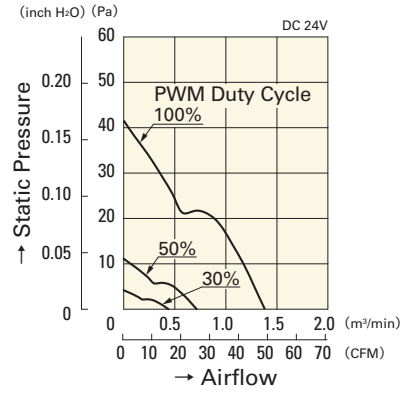
9WL0912P4H001



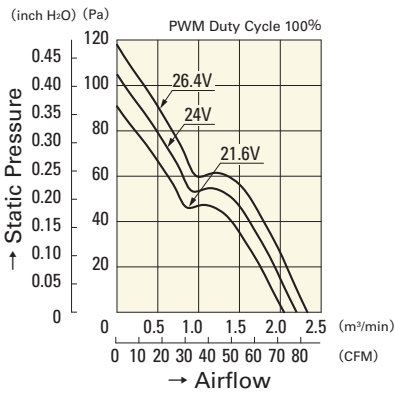
9WL0924P4J001



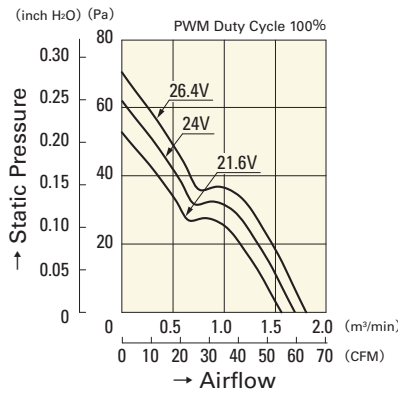
9WL0924P4S001



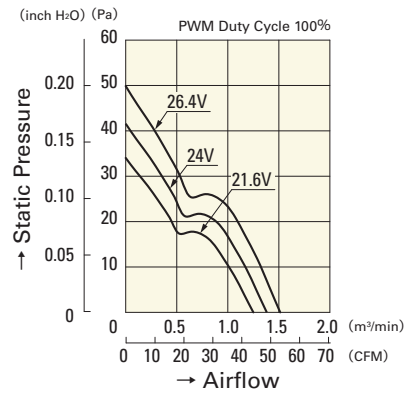
9WL0924P4H001



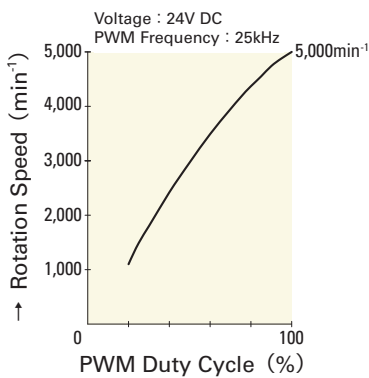
9WL0924P4J001



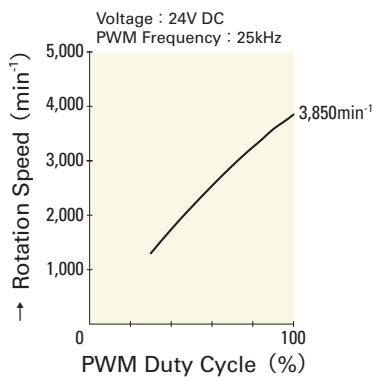
9WL0924P4S001



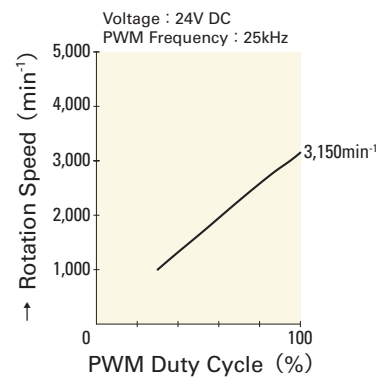
9WL0924P4H001



9WL0924P4J001



9WL0924P4S001



9WL0924P4H001