

80mm sq.

San Ace 80W

- 25mm thick (9WL type)
- 25mm thick (9WP type)
- 25mm thick (9WS type)
- 38mm thick (9WV type)



General Specifications

- Material Frame: Plastics (Flammability: UL94V-0),
Impeller: Plastics (Flammability: UL94V-1)
- Expected Life Refer to specifications (Indoor, L10: Survival rate: 90% at 60°C ,
rated voltage, and continuously run in a free air state)
- Lead Wire ⊕red ⊖black (Sensor) yellow (Control) brown
- Storage Temperature -30°C to +70°C (Non-condensing)

80×80×38mm (Mass : 235g) **IP 68** **9WV type**

Specifications

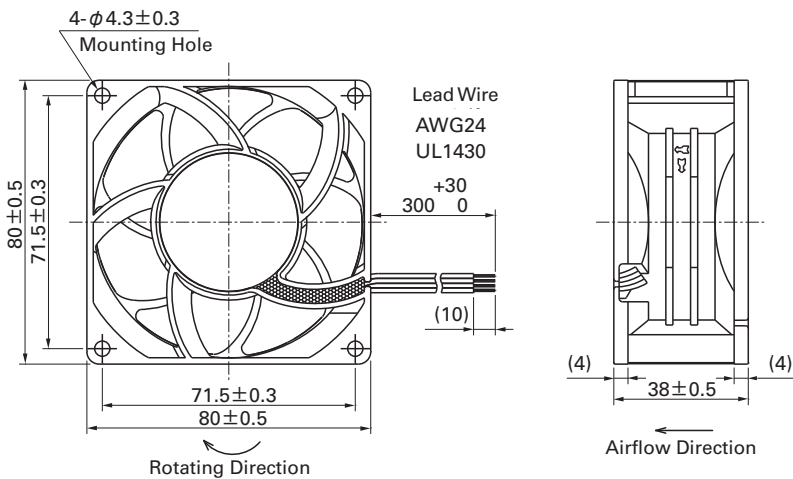
The following nos. **have PWM controls, pulse sensors, and ribs.** For ribless, append "1" to the model no.

Model No.	Rated Voltage [V]	Operating Voltage Range [V]	PWM duty cycle* [%]	Rated Current [A]	Rated Input [W]	Rated Speed [min ⁻¹]	Max. Airflow [m ³ /min] [CFM]	Max. Static Pressure [Pa] [inchH ₂ O]	SPL [dB(A)]	Operating Temperature [°C]	Expected Life ^{typ} [h]
9WV0848P1H001	48	40.8 to 52.8	100	0.75	36	9,700	3.7 131	440 1.77	63	-20 to +70	40,000/60°C (70,000/40°C)
			0	0.15	7.2	4,500	1.72 60.7	94.7 0.38	43		

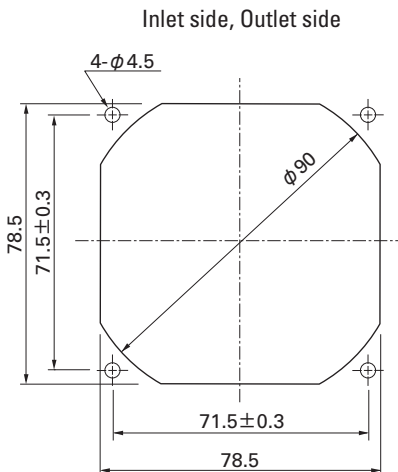
Note: Expected life at 40°C ambient is just reference value.

*PWM Frequency : 25kHz

Dimensions (unit : mm) (With ribs)



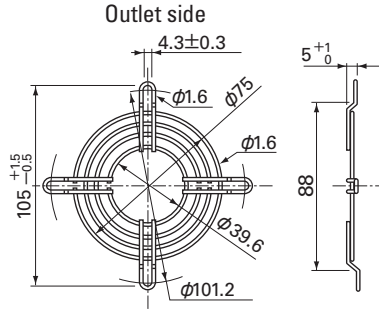
Reference Dimension of Mounting Holes and Vent Opening (unit : mm)



Options (unit : mm)

Finger Guards

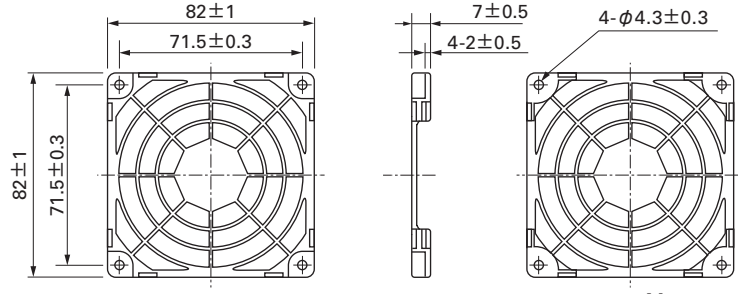
Model : 109-049C Surface treatment : Nickel-chrome plating (silver) Color : Silver



Mass : 17g

Resin Finger Guards

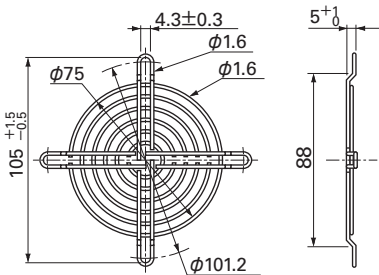
Model : 109-1002G



Mass : 10g

Model : 109-049E Surface treatment : Nickel-chrome plating (silver) Color : Silver
 : 109-049H : Cation electropainting (black)

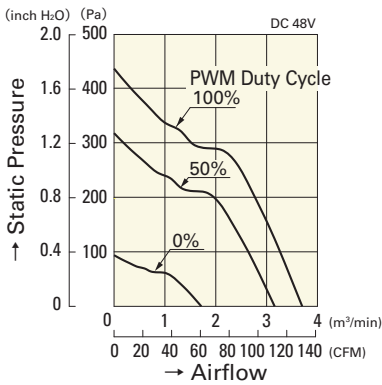
Inlet side, Outlet side



Mass : 21g

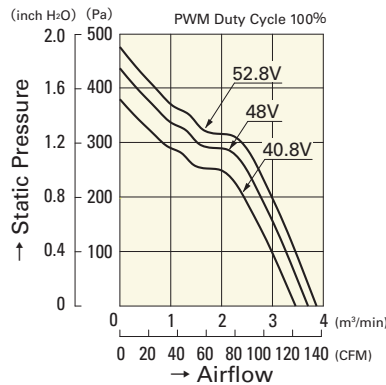
Airflow - Static Pressure Characteristics

PWM Duty Cycle



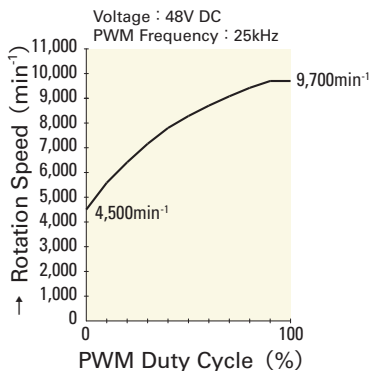
9WV0848P1H001

Operating Voltage Range



9WV0848P1H001

PWM Duty - Speed Characteristics Example



9WV0848P1H001