

80mm sq.

San Ace 80WS

- 25mm thick (9WL type)
- 25mm thick (9WP type)
- 25mm thick (9WS type)
- 38mm thick (9VV type)



General Specifications

- Material Frame: Plastics (Flammability: UL94V-0), Impeller: Plastics (Flammability: UL94V-1)
- Expected Life Refer to specifications (Indoor, L10:Survival rate: 90% at 60°C, rated voltage, and continuously run in a free air state)
- Lead Wire ⊕red ⊖black or blue (Sensor) yellow
- Storage Temperature -30°C to +70°C (Non-condensing)

80×80×25mm (Mass : 120g) **IP 54** **9WS** type

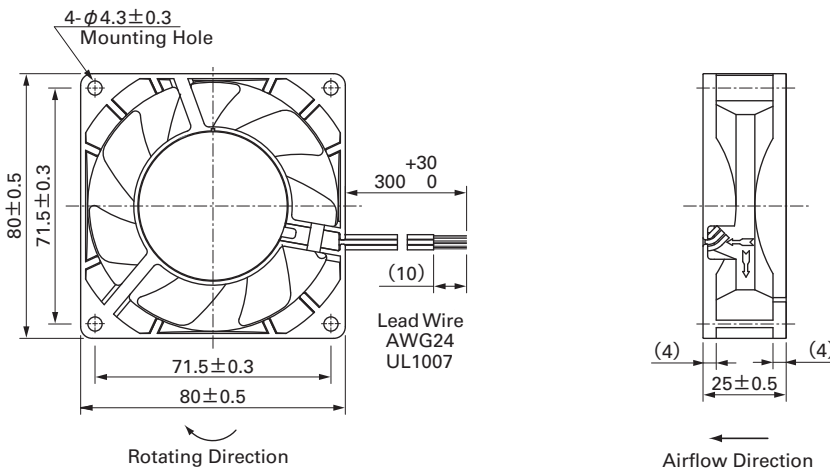
Specifications

The following nos. **have pulse sensors and ribs**. For ribless, append "1" to the model no.

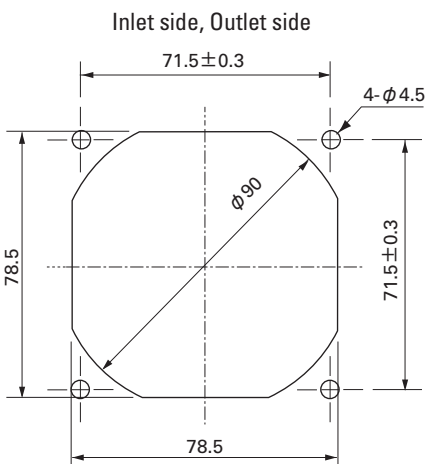
| Model No. | Rated Voltage [V] | Operating Voltage Range [V] | Rated Current [A] | Rated Input [W] | Rated Speed [min ⁻¹] | Max. Airflow [m ³ /min] [CFM] | Max. Static Pressure [Pa] [inchH ₂ O] | SPL [dB(A)] | Operating Temperature [°C] | Expected Life [h] | |
|-------------|-------------------|-----------------------------|-------------------|-----------------|----------------------------------|------------------------------------------|--------------------------------------------------|-------------|----------------------------|-------------------|--------|
| 9WS0812H401 | 12 | 10.2 to 13.8 | 0.16 | 1.92 | 3,100 | 0.94 | 33.2 | 45.1 | 0.181 | - 20 to + 70 | 40,000 |
| 9WS0812F401 | | | 0.13 | 1.56 | 2,700 | 0.83 | 29.3 | 34.3 | 0.138 | | |
| 9WS0812M401 | | | 0.1 | 1.2 | 2,200 | 0.65 | 23.0 | 23.5 | 0.094 | | |
| 9WS0824H401 | 24 | 20.4 to 27.6 | 0.09 | 2.16 | 3,100 | 0.94 | 33.2 | 45.1 | 0.181 | - 20 to + 70 | 40,000 |
| 9WS0824F401 | | | 0.07 | 1.68 | 2,700 | 0.83 | 29.3 | 34.3 | 0.138 | | |
| 9WS0824M401 | | | 0.05 | 1.2 | 2,200 | 0.65 | 23.0 | 23.5 | 0.094 | | |

Some models can also be equipped without sensors as an option. Please refer to the index (pp. 417 to 437).

Dimensions (unit : mm) (With ribs)



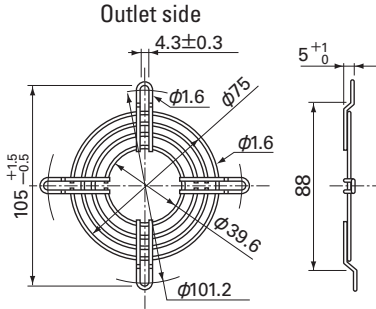
Reference Dimension of Mounting Holes and Vent Opening (unit : mm)



Options (unit : mm)

Finger Guards

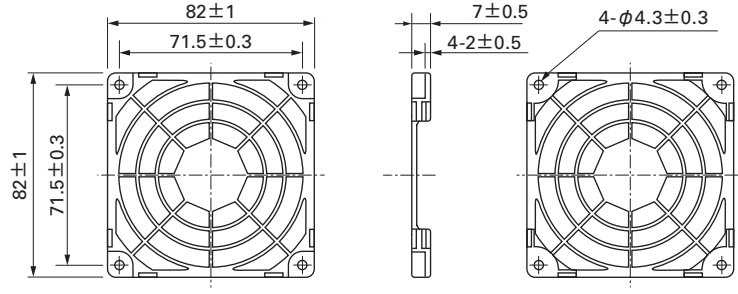
Model : 109-049C Surface treatment : Nickel-chrome plating (silver) Color : Nickel-chrome plating (silver)



Mass : 17g

Resin Finger Guards

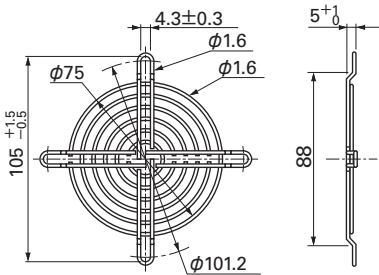
Model : 109-1002G



Mass : 10g

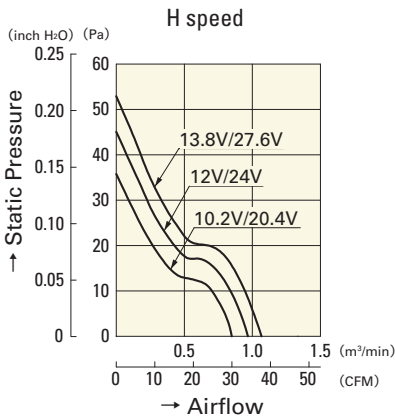
Model : 109-049E Surface treatment : Nickel-chrome plating (silver) Color : Nickel-chrome plating (silver)
 : 109-049H : Cation electropainting (black)

Inlet side, Outlet side

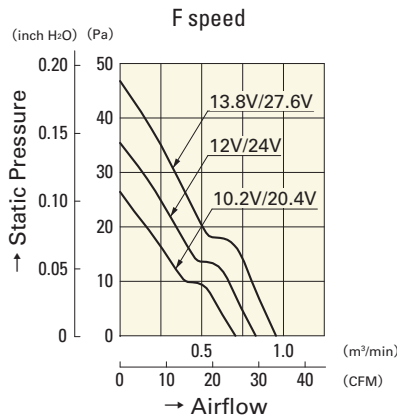


Mass : 21g

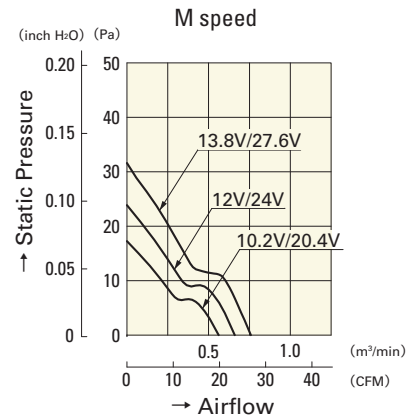
Airflow - Static Pressure Characteristics



9WS0812H401
9WS0824H401



9WS0812F401
9WS0824F401



9WS0812M401
9WS0824M401