

**60**mm sq.

# San Ace 60W

25mm thick (9WL type)  
25mm thick (9WP type)



## General Specifications

- Material ..... Frame: Plastics (Flammability: UL94V-0),  
Impeller: Plastics (Flammability: UL94V-1)
- Expected Life ..... Refer to specifications (Indoor, L10:Survival rate:90% at 60°C ,  
rated voltage, and continuously run in a free air state)
- Lead Wire ..... ⊕red ⊖black (Sensor) yellow
- Storage Temperature ..... -30°C to +70°C (Non-condensing)

**60×60×25**mm (Mass : 110g) **IP 68** **9WP** type

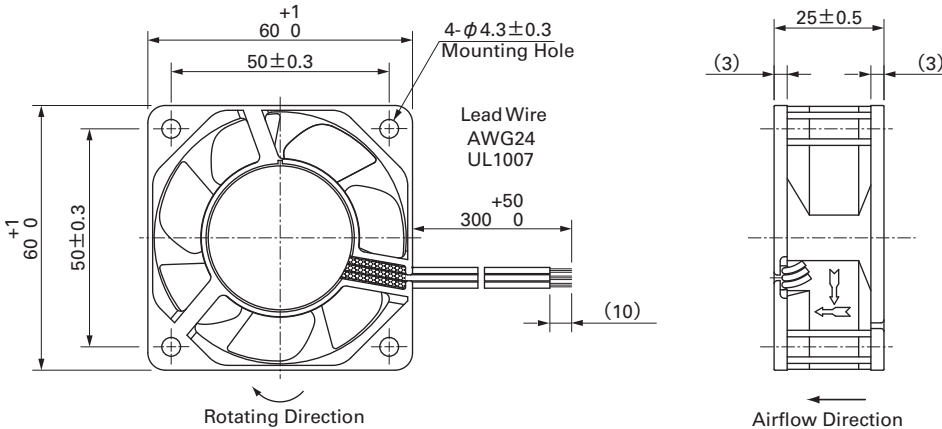
## Specifications

The following nos. **have pulse sensors and ribs**. For ribless, append "1" to the model no.

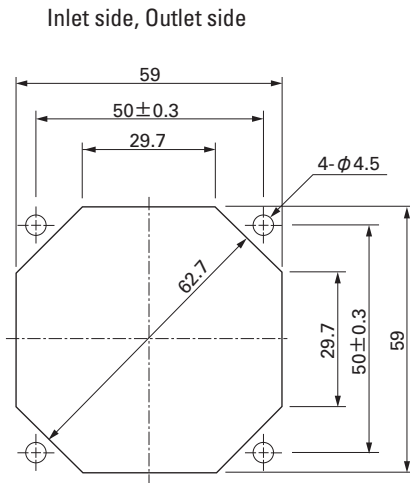
Model No.	Rated Voltage [V]	Operating Voltage Range [V]	Rated Current [A]	Rated Input [W]	Rated Speed [min <sup>-1</sup> ]	Max. Airflow [m <sup>3</sup> /min] [CFM]	Max. Static Pressure [Pa] [inchH <sub>2</sub> O]	SPL [dB(A)]	Operating Temperature [°C]	Expected Life [h]
9WP0612G401	12	10.2 to 13.2	0.21	2.52	5,600	0.78 27.5	87.3 0.351	39	-20 to +60	40,000
9WP0612D401		10.2 to 13.8	0.21	2.52	5,150	0.72 25	73.5 0.30	37	-20 to +70	60,000
9WP0612H401		0.11	1.32	3,800	0.53 18.7	40.2 0.161	28	-20 to +60	40,000	
9WP0624G401	24	20.4 to 27.6	0.13	3.12	5,600	0.78 27.5	87.3 0.351	39	-20 to +60	40,000
9WP0624H401		0.06	1.44	3,800	0.53 18.7	40.2 0.161	28	-20 to +70	60,000	
9WP0648H401		48	40 to 53	0.04	1.92	3,800	0.53 18.7	40.2 0.161	28	-20 to +70

Some models can also be equipped without sensors or with PWM control functions as an option. Please refer to the index (pp. 417 to 437).

## Dimensions (unit : mm) (With ribs)



## Reference Dimension of Mounting Holes and Vent Opening (unit : mm)



**Options (unit : mm)**

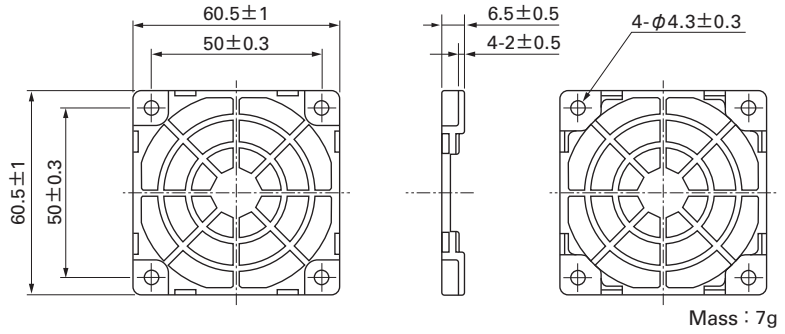
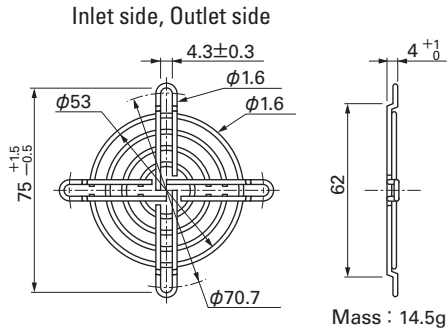
**Finger Guards**

Model : 109-139E Surface treatment : Nickel-chrome plating (silver)  
 : 109-139H : Cation electropainting (black)

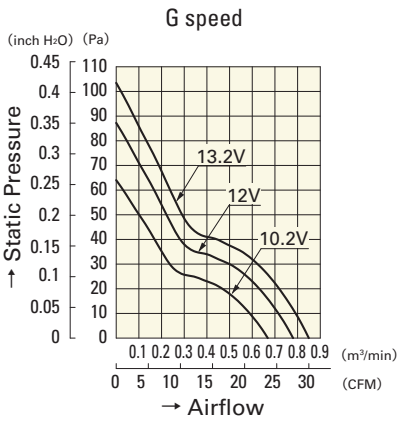
Color

**Resin Finger Guards**

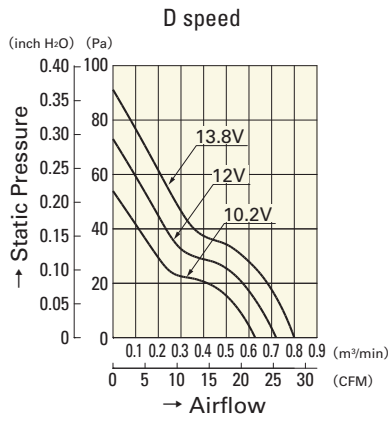
Model : 109-1003G



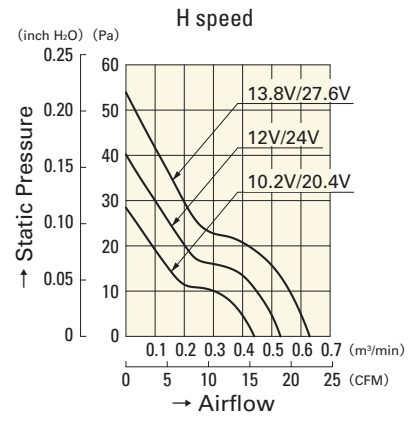
**Airflow - Static Pressure Characteristics**



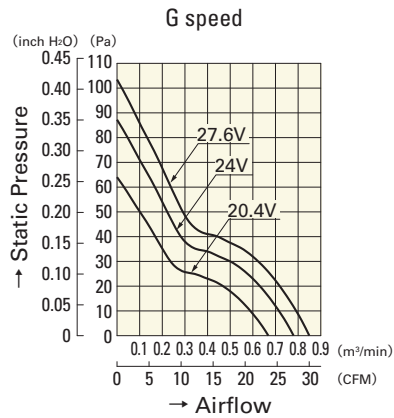
**9WP0612G401**



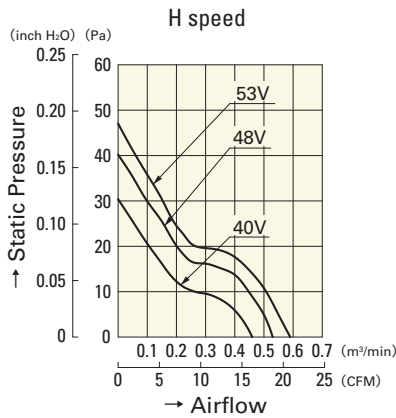
**9WP0612D401**



**9WP0612H401**  
**9WP0624H401**



**9WP0624G401**



**9WP0648H401**