

**40**mm sq.

# San Ace 40W

20mm thick (9WP type)



## General Specifications

- Material ..... Frame: Plastics (Flammability: UL94V-0),  
Impeller: Plastics (Flammability: UL94V-1)
- Expected Life ..... Refer to specifications (Indoor, L10:Survival rate:90% at 60°C ,  
rated voltage, and continuously run in a free air state)
- Lead Wire ..... ⊕red ⊖black Sensor yellow
- Storage Temperature ..... -30°C to +70°C (Non-condensing)

**40×40×20**mm (Mass : 50g) **IP 68** **9WP** type

## Specifications

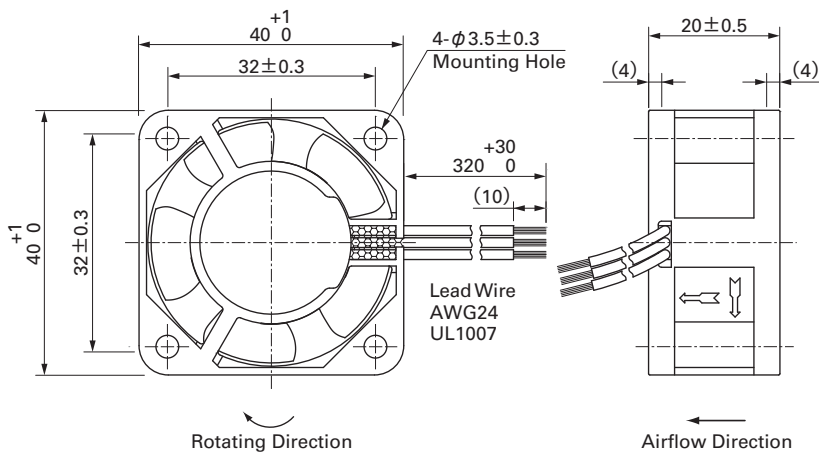
The following nos. **have pulse sensors and ribs.**

Model No.	Rated Voltage [V]	Operating Voltage Range [V]	Rated Current [A]	Rated Input [W]	Rated Speed [min <sup>-1</sup> ]	Max. Airflow [m <sup>3</sup> /min] [CFM]	Max. Static Pressure [Pa] [inchH <sub>2</sub> O]	SPL [dB(A)]	Operating Temperature [°C]	Expected Life [h]
9WP0412H6001	12	7 to 13.8	0.1	1.2	8,000	0.255 8.0	65.7 0.264	33	-10 to +60	40,000/60°C (70,000/40°C)
9WP0412F6001			0.06	0.72	6,500	0.183 6.5	45.1 0.181	28		

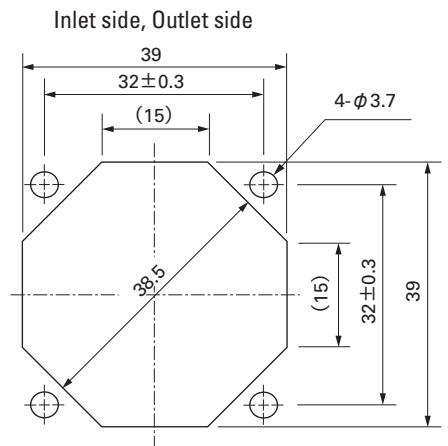
Some models can also be equipped without sensors as an option. Please refer to the index (pp. 417 to 437).

## Dimensions (unit : mm)

(With ribs)



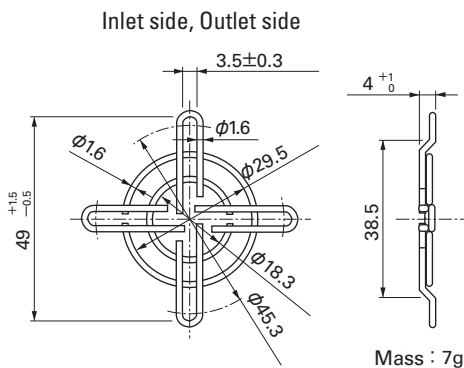
## Reference Dimension of Mounting Holes and Vent Opening (unit : mm)



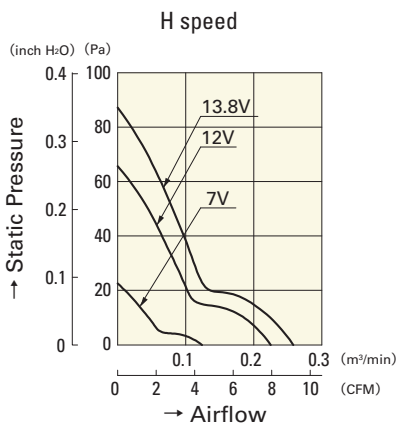
## Options (unit : mm)

### Finger Guards

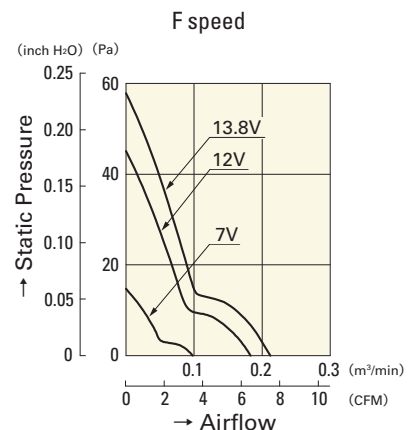
Model : 109-059 Surface treatment : Nickel-chrome plating (silver)  
: 109-059H : Cation electropainting (black)



## Airflow - Static Pressure Characteristics



**9WP0412H6001**



**9WP0412F6001**