

**92**mm sq.

# San Ace 92

25mm thick (9GA type), 25mm thick (9S type)  
 25mm thick (9P type), 25mm thick (San Cooler) (9A type)  
 32mm thick (9G type), 38mm thick (9GA type)  
 38mm thick (9HV type), 38mm thick (9GV type)  
 38mm thick (9G type)



## General Specifications

- Material ..... Frame: Plastics (Flammability: UL94V-0),  
Impeller: Plastics (Flammability: UL94V-0)
- Expected Life ..... Refer to specifications (L10:Survival rate:90% at 60°C ,  
rated voltage, and continuously run in a free air state)
- Lead Wire ..... ⊕red ⊖black or blue (Sensor) yellow
- Storage Temperature ..... -30°C to +70°C (Non-condensing)

**92×92×25mm** (Mass : 100g) **9A type** **San Cooler**

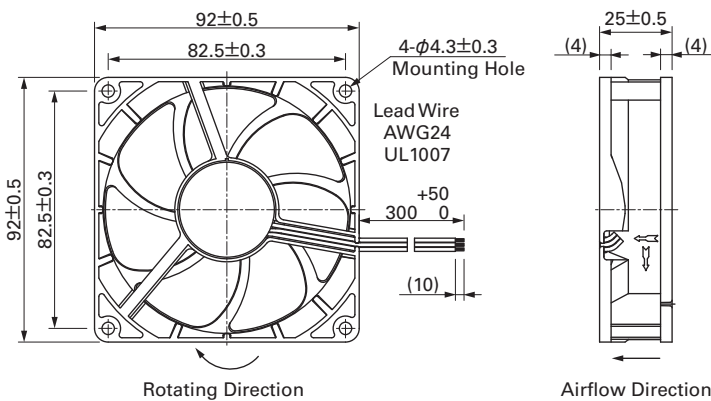
## Specifications

The following nos. **have pulse sensors and ribs**. For ribless, append "1" to the model no.

Model No.	Rated Voltage [V]	Operating Voltage Range [V]	Rated Current [A]	Rated Input [W]	Rated Speed [min <sup>-1</sup> ]	Max. Airflow [m <sup>3</sup> /min] [CFM]	Max. Static Pressure [Pa] [inchH <sub>2</sub> O]	SPL [dB(A)]	Operating Temperature [°C]	Expected Life [h]
9A0912G401	12	6 to 13.8	0.39	4.68	3,900	1.76 62.1	66.5 0.267	43	-20 to +60	30,000
9A0912S401			0.27	3.24	3,550	1.66 58.6	56.1 0.225	39		
9A0912H401			0.21	2.52	3,150	1.45 51.2	44 0.177	33	-20 to +70	
9A0912F401			0.14	1.68	2,650	1.24 43.8	32.2 0.129	30		
9A0912M401			0.12	1.44	2,250	1.04 36.7	22.6 0.091	27		
9A0912L401			0.07	0.84	1,750	0.8 28.2	13.4 0.054	23		
9A0924G401	24	12 to 27.6	0.19	4.56	3,900	1.76 62.1	66.5 0.267	43	-20 to +60	30,000
9A0924S401			0.15	3.6	3,550	1.66 58.6	56.1 0.225	39		
9A0924H401			0.1	2.4	3,150	1.45 51.2	44 0.177	33	-20 to +70	
9A0924F401			0.08	1.92	2,650	1.24 43.8	32.2 0.129	30		
9A0924M401			0.05	1.2	2,250	1.04 36.7	22.6 0.091	27		
9A0924L401			0.04	0.96	1,750	0.8 28.2	13.4 0.054	23		
9A0948S401	48	40.5 to 53	0.08	3.84	3,550	1.66 58.6	56.1 0.225	39	-20 to +60	40,000

Some models can also be equipped without sensors or with PWM control functions as an option. Please refer to the index (pp. 417 to 437).

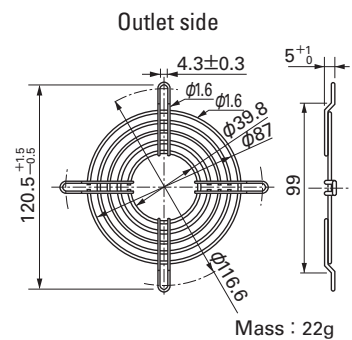
## Dimensions (unit : mm) (With ribs)



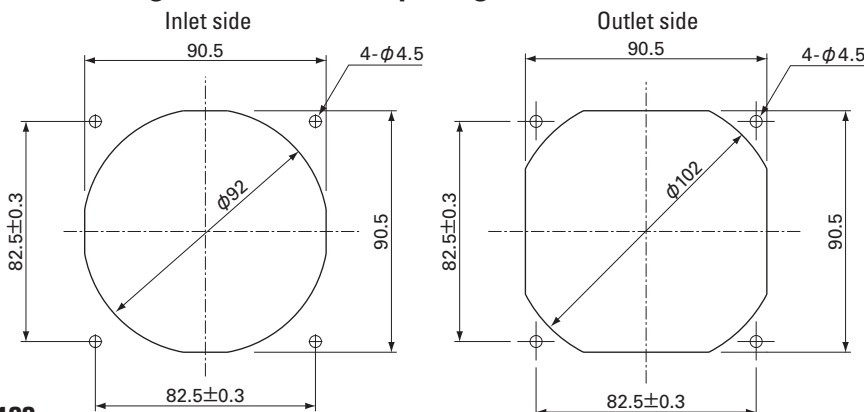
## Options (unit : mm)

### Finger Guards

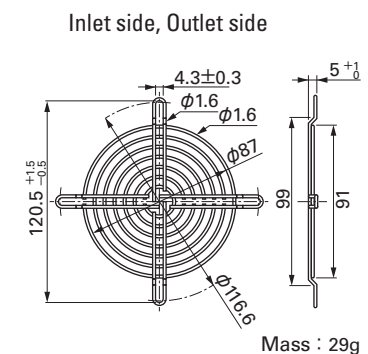
Model : 109-099C Surface treatment : Nickel-chrome plating (silver) Color : Nickel-chrome plating (silver)



## Reference Dimension of Mounting Holes and Vent Opening (unit : mm)



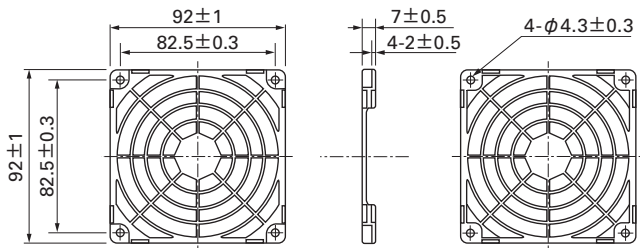
Model : 109-099E Surface treatment : Nickel-chrome plating (silver) Color : Nickel-chrome plating (silver)  
 : 109-099H : Cation electropainting (black)



Options (unit : mm)

Resin Finger Guards

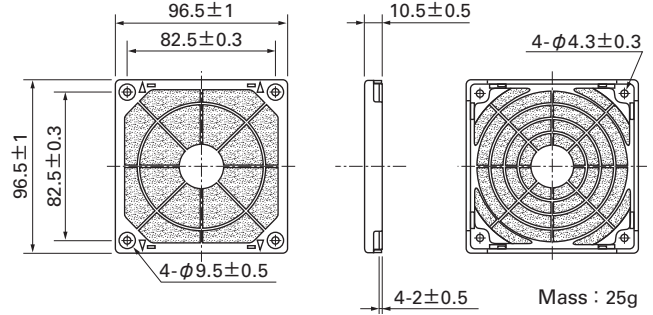
Model : 109-1001G



Mass : 12g

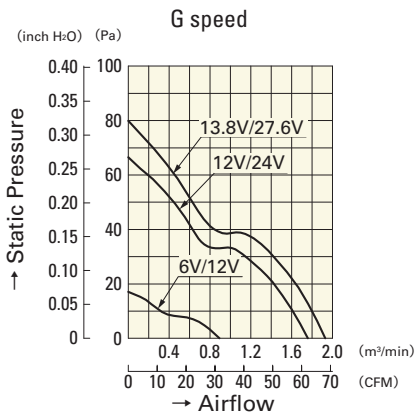
Resin Filter Kits

Model : 109-1001F13 (13PPI), 109-1001F20 (20PPI)  
: 109-1001F30 (30PPI), 109-1001F40 (40PPI)

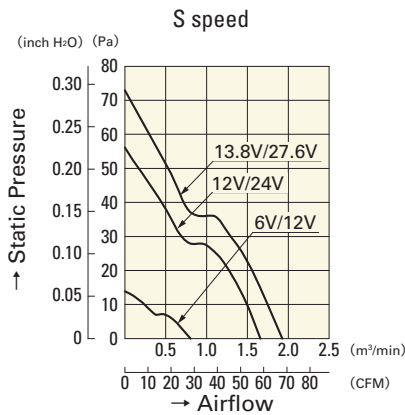


Mass : 25g

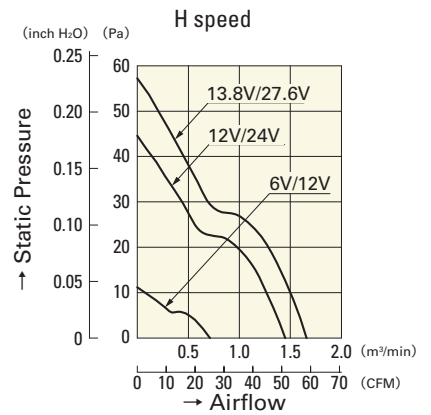
Airflow - Static Pressure Characteristics



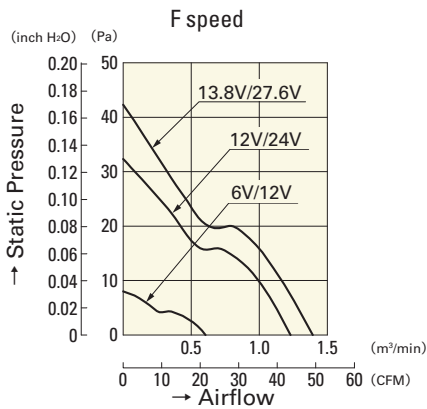
**9A0912G401**  
**9A0924G401**



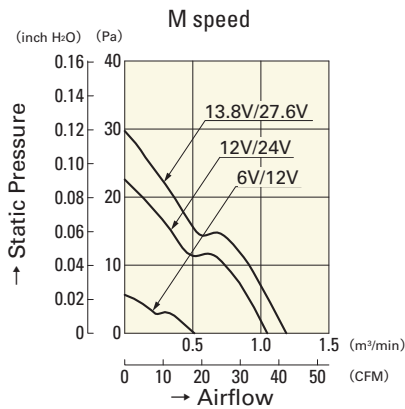
**9A0912S401**  
**9A0924S401**



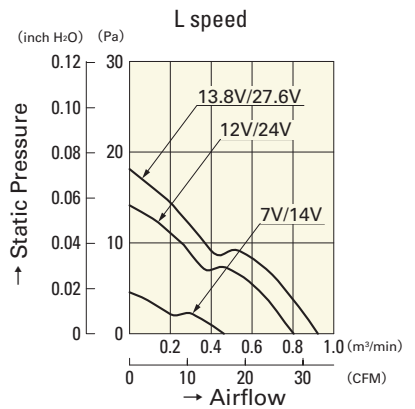
**9A0912H401**  
**9A0924H401**



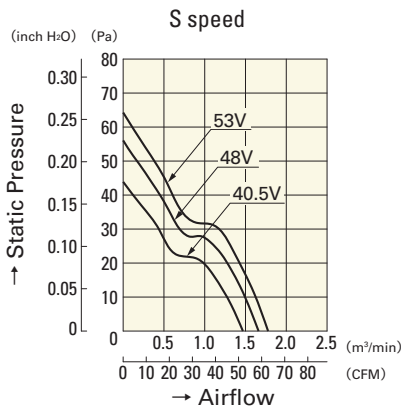
**9A0912F401**  
**9A0924F401**



**9A0912M401**  
**9A0924M401**



**9A0912L401**  
**9A0924L401**



**9A0948S401**