

**80**mm sq.

# San Ace 80

15mm thick (9GA type), 15mm thick (9P type), 20mm thick (9GA type)  
 20mm thick (9P type), 25mm thick (9GA type), 25mm thick (9S type)  
 25mm thick (9GV type), 25mm thick (9R type)  
 25mm thick (San Cooler) (9A type), 32mm thick (9GA type)  
 32mm thick (9P type), 38mm thick (9HV type), 38mm thick (9GA type)  
 38mm thick (9GV type), 38mm thick (9G type)



## General Specifications

- Material ..... Frame: Plastics (Flammability: UL94V-0),  
Impeller: Plastics (Flammability: UL94V-0)
- Expected Life ..... Refer to specifications (L10:Survival rate:90% at 60°C ,  
rated voltage, and continuously run in a free air state)
- Lead Wire ..... ⊕red ⊖black (Sensor) yellow
- Storage Temperature ..... -30°C to +70°C (Non-condensing)

**80×80×38mm** (Mass : 170g) **9G type**

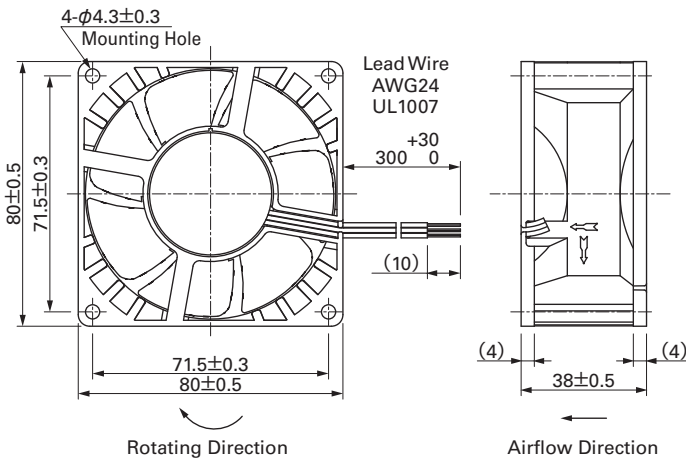
## Specifications

The following nos. **have pulse sensors and ribs**. For ribless, append "1" to the model no.

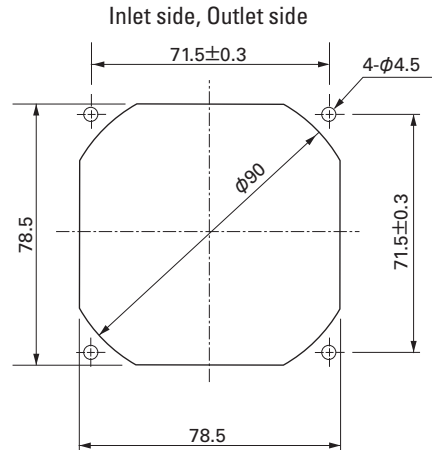
Model No.	Rated Voltage [V]	Operating Voltage Range [V]	Rated Current [A]	Rated Input [W]	Rated Speed [min <sup>-1</sup> ]	Max. Airflow [m <sup>3</sup> /min] [CFM]	Max. Static Pressure [Pa] [inchH <sub>2</sub> O]	SPL [dB(A)]	Operating Temperature [°C]	Expected Life [h]
<b>9G0812K101</b>	12	10.8 to 13.2	1.8	21.6	7,800	3.10 107.3	310 1.285	58	-20 to +60	40,000
<b>9G0812G101</b>		7 to 13.8	1.1	13.2	6,300	2.55 90	211 0.847	51		
<b>9G0812H101</b>		0.9	10.8	5,700	2.28 80	171 0.687	49			
<b>9G0824G101</b>	24	20.4 to 27.6	0.56	13.4	6,300	2.55 90	211 0.847	51	-20 to +70	40,000
<b>9G0824H101</b>			0.42	10.1	5,700	2.28 80	171 0.687	49		
<b>9G0848G101</b>	48	40.8 to 55.2	0.27	13.0	6,300	2.55 90	211 0.847	51	-20 to +70	40,000
<b>9G0848H101</b>			0.20	9.6	5,700	2.28 80	171 0.687	49		

Some models can also be equipped without sensors or with PWM control functions as an option. Please refer to the index (pp. 417 to 437).

## Dimensions (unit : mm) (With ribs)



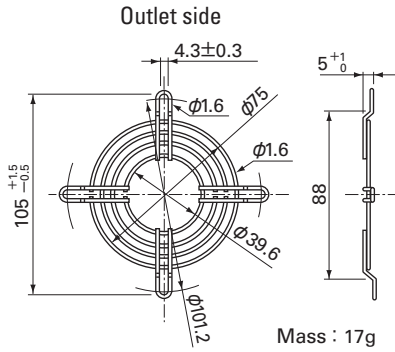
## Reference Dimension of Mounting Holes and Vent Opening (unit : mm)



Options (unit : mm)

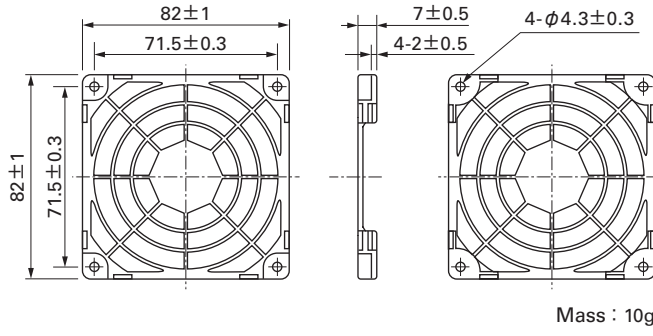
**Finger Guards**

Model : 109-049C Surface treatment : Nickel-chrome plating (silver) Color : Nickel-chrome plating (silver)



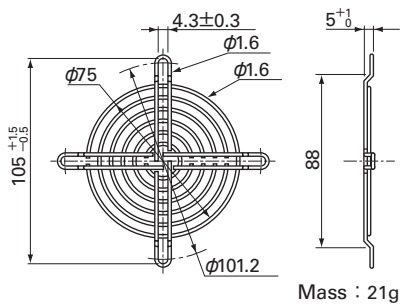
**Resin Finger Guards**

Model : 109-1002G



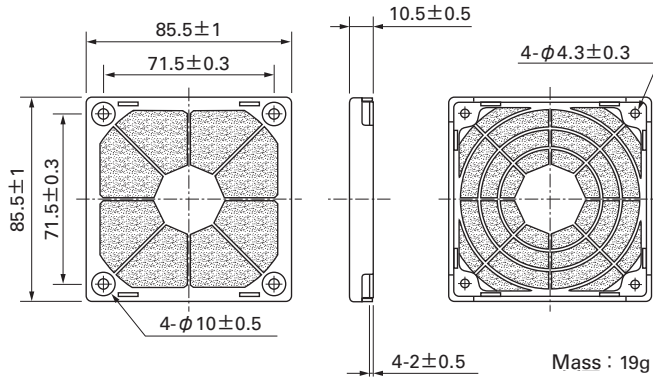
Model : 109-049E Surface treatment : Nickel-chrome plating (silver) Color : Nickel-chrome plating (silver)  
: 109-049H : Cation electropainting (black)

Inlet side, Outlet side

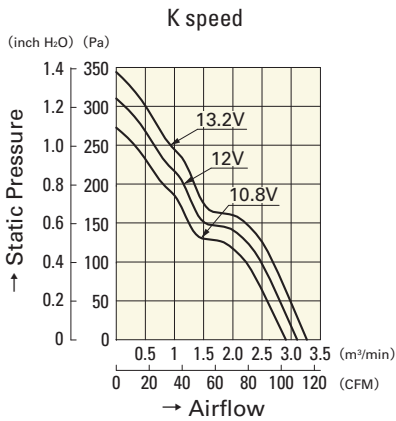


**Resin Filter Kits**

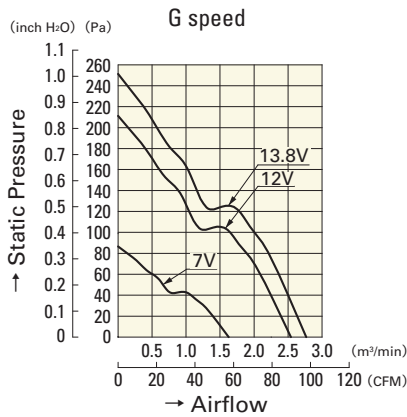
Model : 109-1002F13 (13PPI), 109-1002F20 (20PPI)  
: 109-1002F30 (30PPI), 109-1002F40 (40PPI)



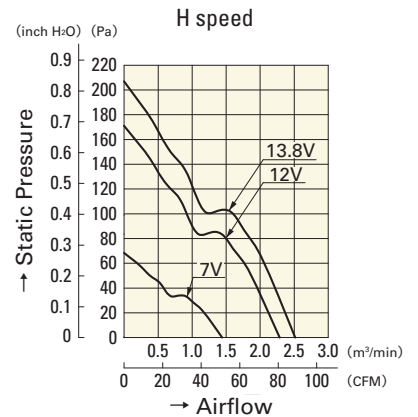
**Airflow - Static Pressure Characteristics**



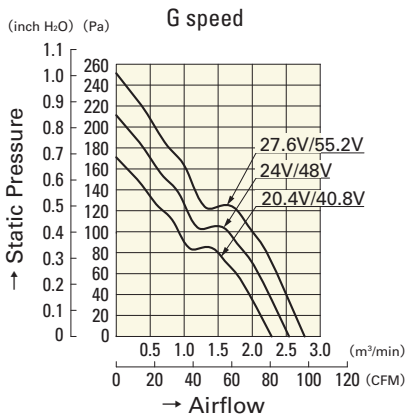
**9G0812K101**



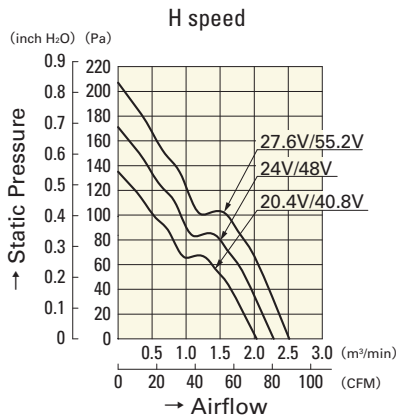
**9G0812G101**



**9G0812H101**



**9G0824G101**  
**9G0848G101**



**9G0824H101**  
**9G0848H101**