

80mm sq.

San Ace 80

15mm thick (9GA type), 15mm thick (9P type), 20mm thick (9GA type)
 20mm thick (9P type), 25mm thick (9GA type), 25mm thick (9S type)
 25mm thick (9GV type), 25mm thick (9R type)
 25mm thick (San Cooler) (9A type), 32mm thick (9GA type)
 32mm thick (9P type), 38mm thick (9HV type), **38mm thick (9GA type)**
 38mm thick (9GV type), 38mm thick (9G type)



General Specifications

- Material Frame: Plastics (Flammability: UL94V-0),
Impeller: Plastics (Flammability: UL94V-0)
- Expected Life Refer to specifications (L10: Survival rate: 90% at 60°C ,
rated voltage, and continuously run in a free air state)
- Lead Wire ⊕red ⊖black (Sensor) yellow (Control) brown
- Storage Temperature -30°C to +70°C (Non-condensing)

80×80×38mm (Mass : 160g) **9GA type** **Low Power Consumption Fan**



Specifications

The following nos. **have PWM controls, pulse sensors, and ribs.** For ribless, append "1" to the model no.

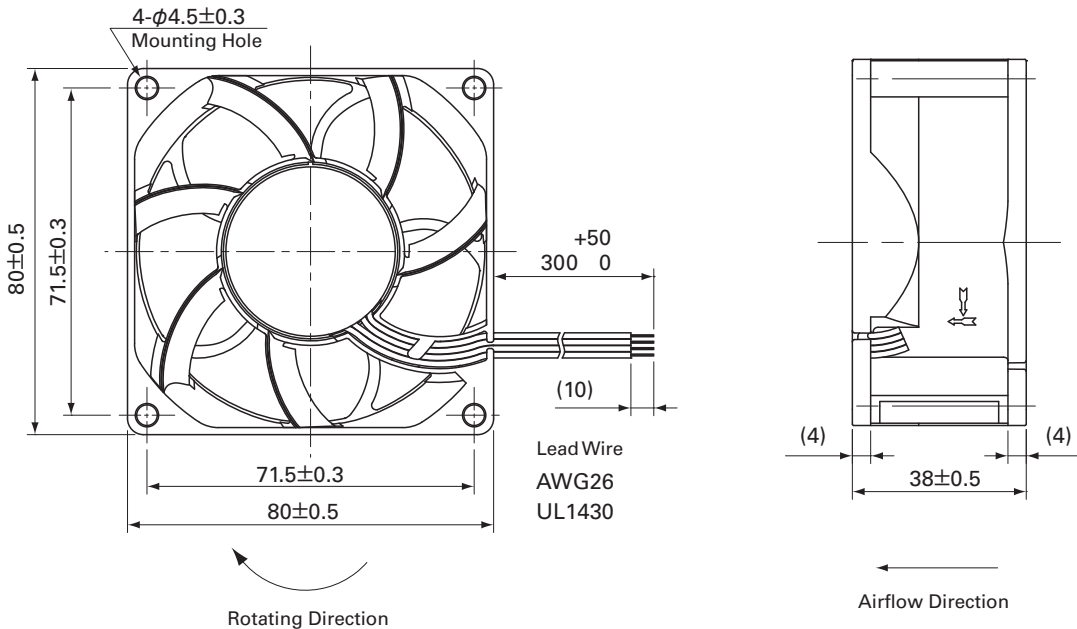
Model No.	Rated Voltage [V]	Operating Voltage Range [V]	PWM duty cycle* [%]	Rated Current [A]	Rated Input [W]	Rated Speed [min ⁻¹]	Max. Airflow [m ³ /min] [CFM]	Max. Static Pressure [Pa] [inchH ₂ O]	SPL [dB(A)]	Operating Temperature [°C]	Expected Life ^{nom} [h]
9GA0812P1G61	12	10.8 to 13.2	100	1.2	14.4	10,500	2.85 100.6	480 1.92	60	-20 to +70	40,000/60°C (70,000/40°C)
			0	0.04	0.48	2,000	0.51 18.0	28.7 0.11	21		
9GA0812P1S61			100	0.94	11.28	9,550	2.6 91.8	480 1.93	59		
			0	0.1	1.2	2,900	0.74 26.1	60 0.24	27		
9GA0812P1H61			100	0.6	7.2	8,250	2.25 79.4	380 1.53	55		
			0	0.08	0.96	2,500	0.64 22.6	45 0.18	24		
9GA0824P1S61	24	20.4 to 27.6	100	0.47	11.28	9,550	2.6 91.8	480 1.93	59		
			0	0.06	1.44	2,900	0.74 26.1	60 0.24	27		
9GA0824P1H61			100	0.3	7.2	8,250	2.25 79.4	380 1.53	55		
			0	0.05	1.2	2,500	0.64 22.6	45 0.18	24		

Note: Expected life at 40°C ambient is just reference value.

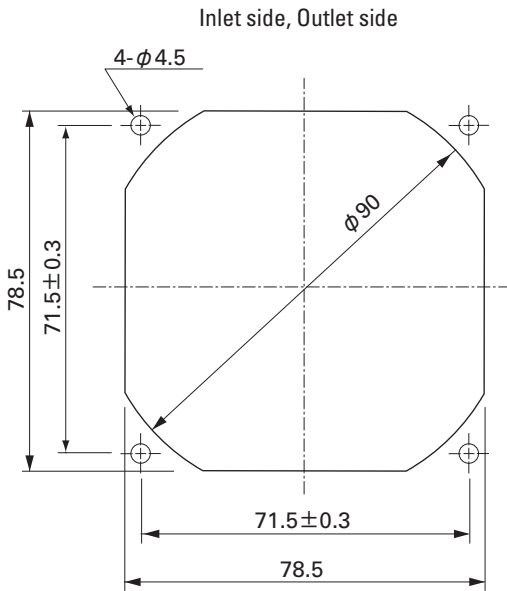
※PWM Frequency : 25kHz

Some models can also be equipped without sensors or with pulse sensors (no PWM control functions) as an option. Please refer to the index (pp. 417 to 437).

Dimensions (unit : mm) (With ribs)



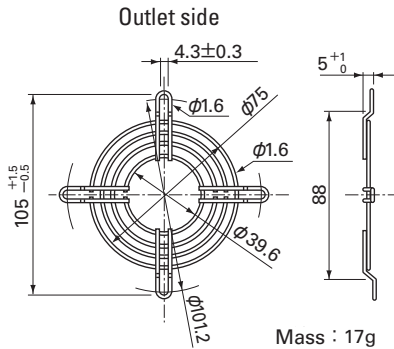
Reference Dimension of Mounting Holes and Vent Opening (unit : mm)



Options (unit : mm)

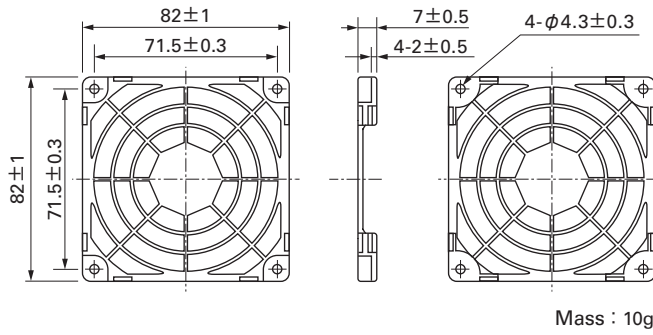
Finger Guards

Model : 109-049C Surface treatment : Nickel-chrome plating (silver) Color



Resin Finger Guards

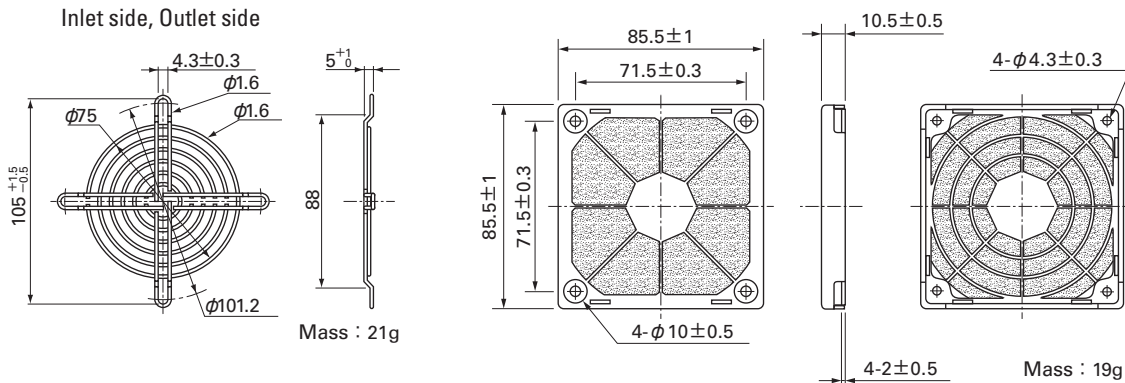
Model : 109-1002G



Model : 109-049E Surface treatment : Nickel-chrome plating (silver) Color
: 109-049H : Cation electropainting (black)

Resin Filter Kits

Model : 109-1002F13 (13PPI), 109-1002F20 (20PPI)
: 109-1002F30 (30PPI), 109-1002F40 (40PPI)



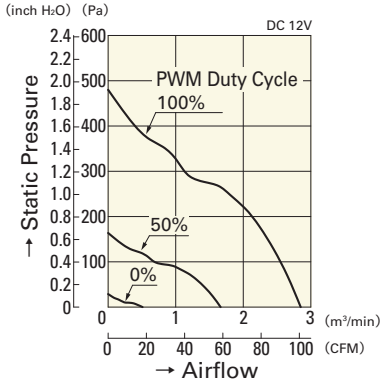
80 mm sq.

San Ace 80

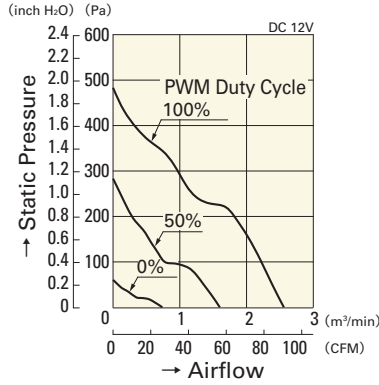
80×80×38mm [Mass : 160g]

Airflow - Static Pressure Characteristics

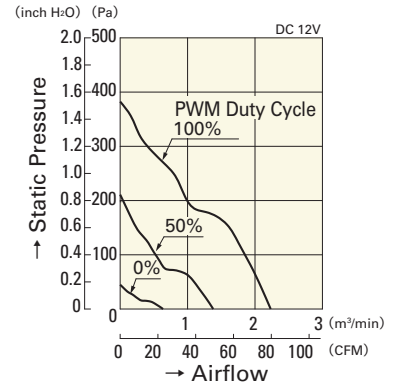
PWM Duty Cycle



9GA0812P1G61

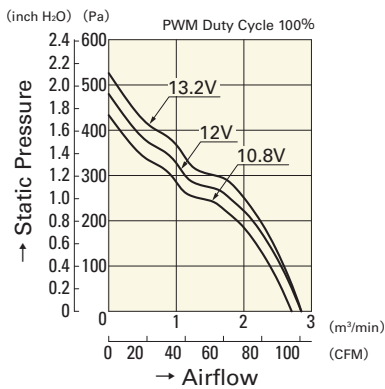


9GA0812P1S61

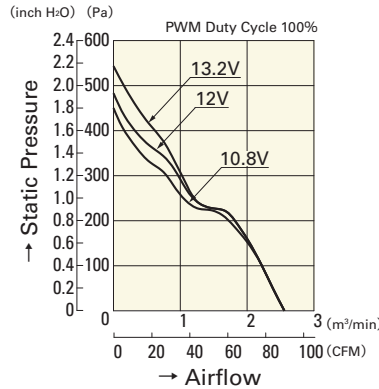


9GA0812P1H61

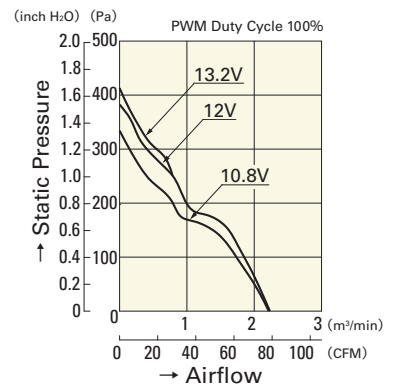
Operating Voltage Range



9GA0812P1G61

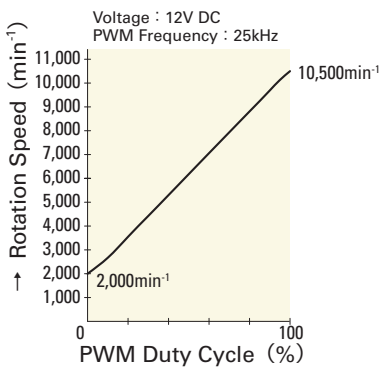


9GA0812P1S61

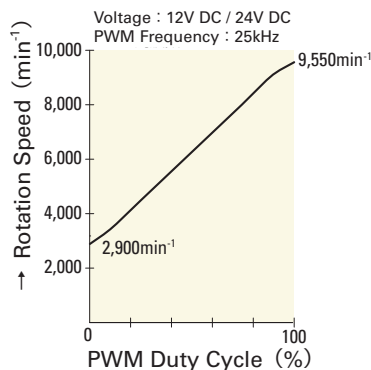


9GA0812P1H61

PWM Duty - Speed Characteristics Example

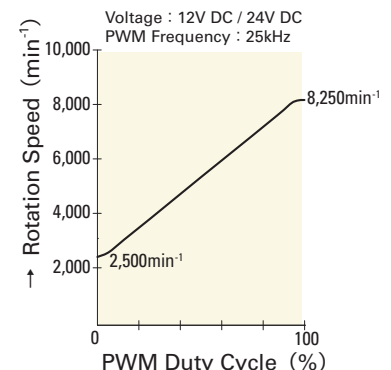


9GA0812P1G61



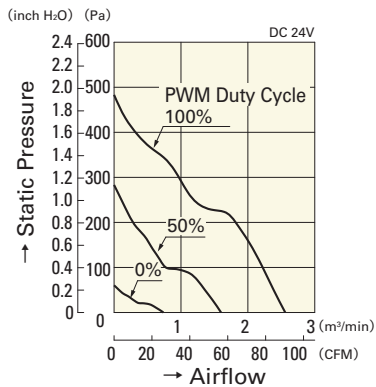
9GA0812P1S61

9GA0824P1S61

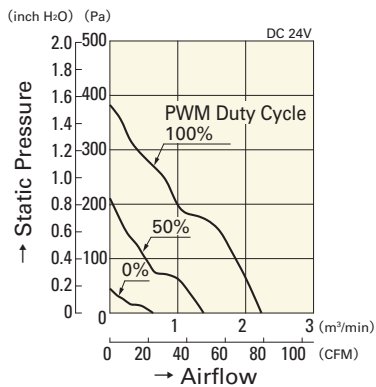


9GA0812P1H61

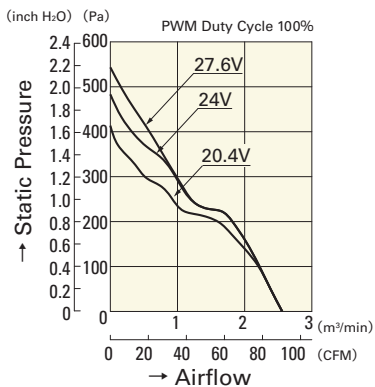
9GA0824P1H61



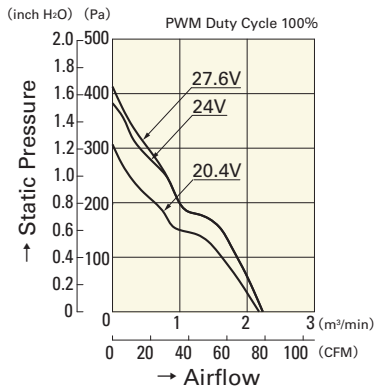
9GA0824P1S61



9GA0824P1H61



9GA0824P1S61



9GA0824P1H61