

**80**mm sq.

# San Ace 80

15mm thick (9GA type), 15mm thick (9P type), 20mm thick (9GA type)  
 20mm thick (9P type), 25mm thick (9GA type), 25mm thick (9S type)  
 25mm thick (9GV type), 25mm thick (9R type)  
**25mm thick (San Cooler) (9A type)**, 32mm thick (9GA type)  
 32mm thick (9P type), 38mm thick (9HV type), 38mm thick (9GA type)  
 38mm thick (9GV type), 38mm thick (9G type)



## General Specifications

- Material ..... Frame: Plastics (Flammability: UL94V-0),  
Impeller: Plastics (Flammability: UL94V-0)
- Expected Life ..... Refer to specifications (L10:Survival rate:90% at 60°C ,  
rated voltage, and continuously run in a free air state)
- Lead Wire ..... ⊕red ⊖black or blue (Sensor) yellow
- Storage Temperature ..... -30°C to +70°C (Non-condensing)

**80×80×25**mm (Mass : 90g) **9A type San Cooler**

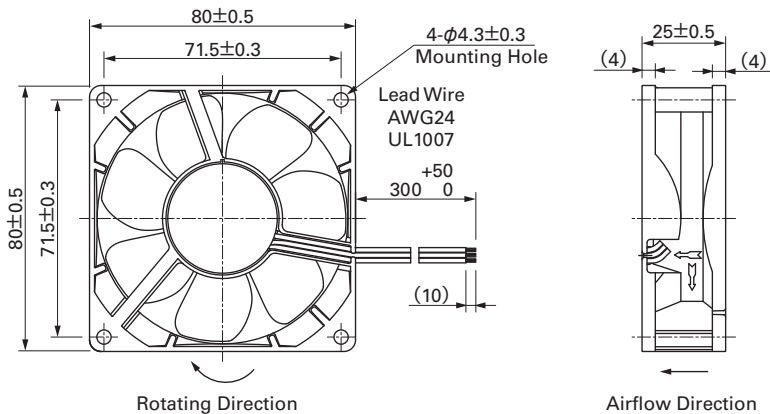
## Specifications

The following nos. **have pulse sensors and ribs**. For ribless, append "1" to the model no.

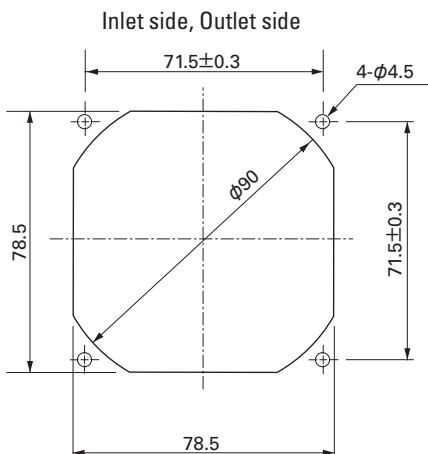
Model No.	Rated Voltage [V]	Operating Voltage Range [V]	Rated Current [A]	Rated Input [W]	Rated Speed [min <sup>-1</sup> ]	Max. Airflow [m <sup>3</sup> /min] [CFM]	Max. Static Pressure [Pa] [inchH <sub>2</sub> O]	SPL [dB(A)]	Operating Temperature [°C]	Expected Life [h]				
9A0812G401	12	6 to 13.2	0.38	4.56	4,500	1.5	53.0	80.3	40	-20 to +60	30,000			
9A0812S401			0.18	2.16	3,400	1.2	42.4	48	0.193			34		
9A0812H401		6 to 13.8	0.13	1.56	2,900	1.03	36.4	35.3	0.142			29	-20 to +70	40,000
9A0812F401			0.11	1.32	2,600	0.92	32.5	28.4	0.114			26		
9A0812M401			0.09	1.08	2,350	0.83	29.3	22.5	0.090			23		
9A0812L401			0.06	0.72	1,850	0.65	23.0	14.7	0.059			20		
9A0824G401	24	12 to 26.4	0.21	5.04	4,500	1.5	53.0	80.3	0.323	40	-20 to +60	30,000		
9A0824S401			0.1	2.4	3,400	1.2	42.4	48	0.193	34				
9A0824H401		12 to 27.6	0.07	1.68	2,900	1.03	36.4	35.3	0.142	29			-20 to +70	40,000
9A0824F401			0.06	1.44	2,600	0.92	32.5	28.4	0.114	26				
9A0824M401			0.05	1.2	2,350	0.83	29.3	22.5	0.090	23				
9A0824L401			0.04	0.96	1,850	0.65	23.0	14.7	0.059	20				

Some models can also be equipped without sensors or with PWM control functions as an option. Please refer to the index (pp. 417 to 437).

## Dimensions (unit : mm) (With ribs)



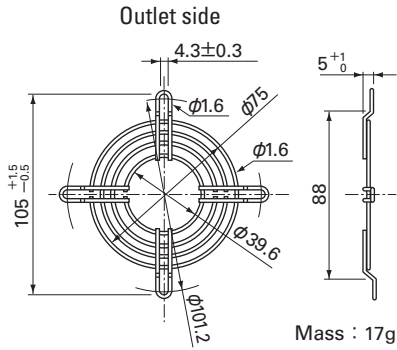
## Reference Dimension of Mounting Holes and Vent Opening (unit : mm)



**Options (unit : mm)**

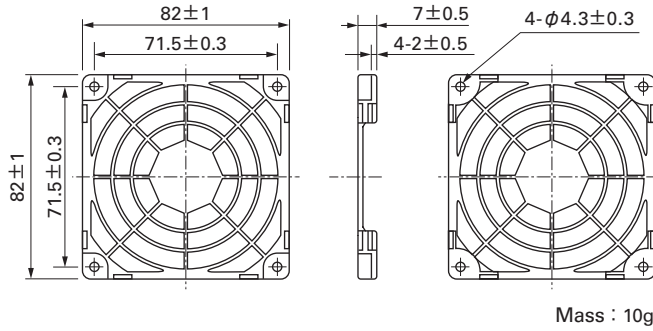
**Finger Guards**

Model : 109-049C Surface treatment : Nickel-chrome plating (silver) Color : 109-049H : Cation electropainting (black)



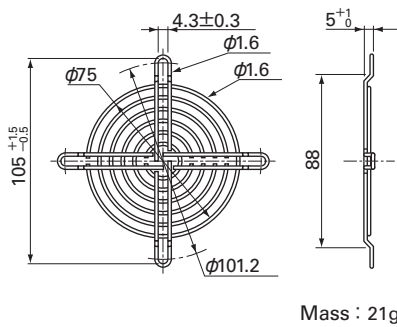
**Resin Finger Guards**

Model : 109-1002G



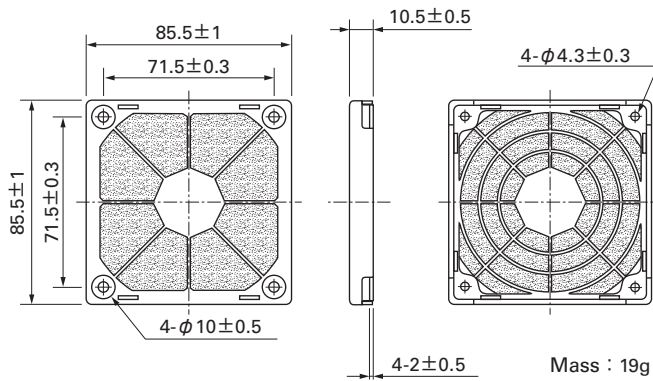
Model : 109-049E Surface treatment : Nickel-chrome plating (silver) Color : 109-049H : Cation electropainting (black)

Inlet side, Outlet side

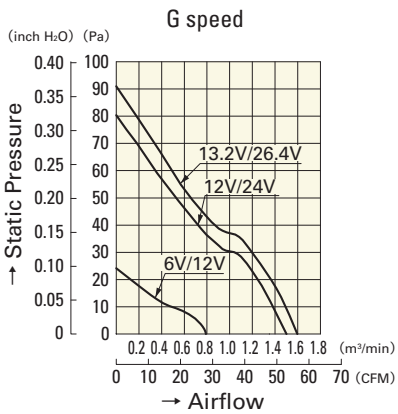


**Resin Filter Kits**

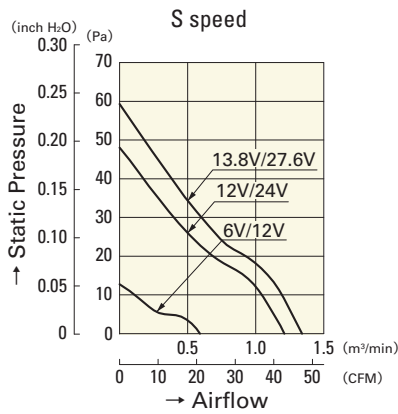
Model : 109-1002F13 (13PPI), 109-1002F20 (20PPI) : 109-1002F30 (30PPI), 109-1002F40 (40PPI)



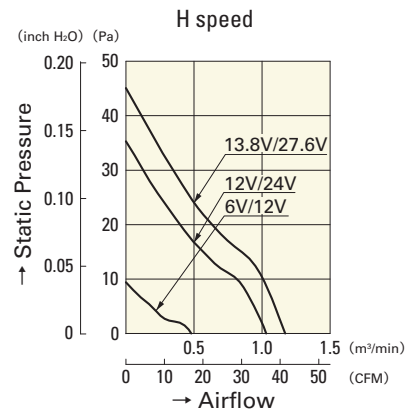
**Airflow - Static Pressure Characteristics**



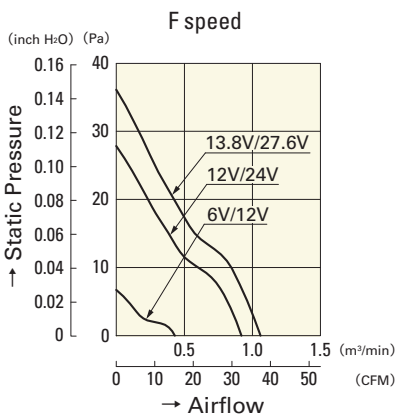
**9A0812G401**  
**9A0824G401**



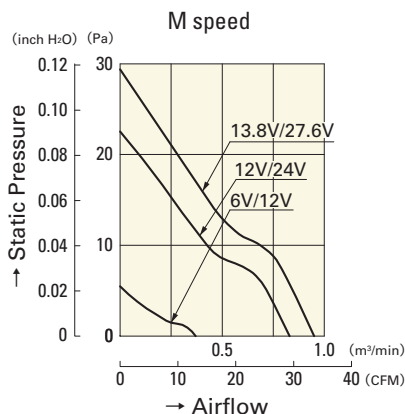
**9A0812S401**  
**9A0824S401**



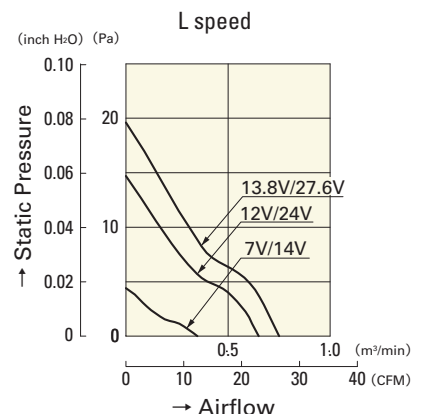
**9A0812H401**  
**9A0824H401**



**9A0812F401**  
**9A0824F401**



**9A0812M401**  
**9A0824M401**



**9A0812L401**  
**9A0824L401**