

80mm sq.

San Ace 80

15mm thick (9GA type), 15mm thick (9P type), 20mm thick (9GA type)
 20mm thick (9P type), 25mm thick (9GA type), 25mm thick (9S type)
25mm thick (9GV type), 25mm thick (9R type)
 25mm thick (San Cooler) (9A type), 32mm thick (9GA type)
 32mm thick (9P type), 38mm thick (9HV type), 38mm thick (9GA type)
 38mm thick (9GV type), 38mm thick (9G type)



General Specifications

- Material Frame: Plastics (Flammability: UL94V-0),
Impeller: Plastics (Flammability: UL94V-1)
- Expected Life Refer to specifications (L10:Survival rate:90% at 60°C ,
rated voltage, and continuously run in a free air state)
- Lead Wire ⊕red ⊖black (Sensor) yellow (Control) brown
- Storage Temperature -30°C to +70°C (Non-condensing)

80×80×25mm (Mass : 125g) **9GV type**

Specifications

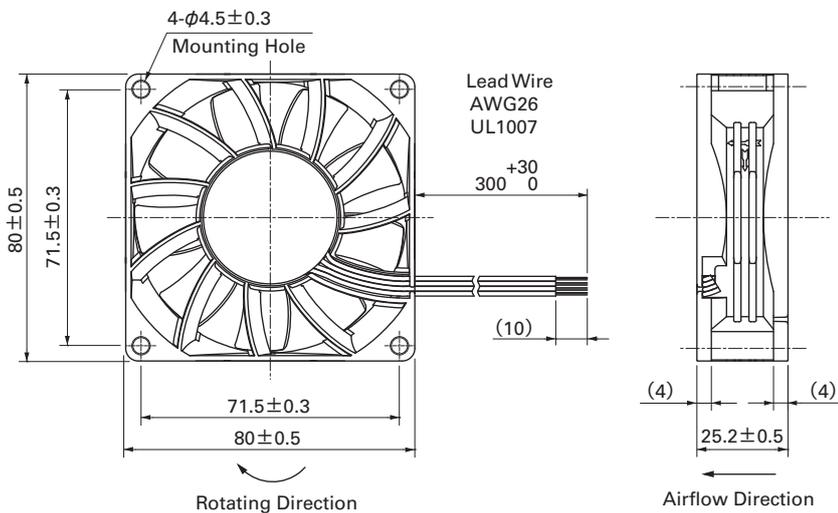
The following nos. **have PWM controls, pulse sensors, and ribs.** For ribless, append "1" to the model no.

Model No.	Rated Voltage [V]	Operating Voltage Range [V]	PWM duty cycle※ [%]	Rated Current [A]	Rated Input [W]	Rated Speed [min ⁻¹]	Max. Airflow [m ³ /min] [CFM]	Max. Static Pressure [Pa] [inchH ₂ O]	SPL [dB(A)]	Operating Temperature [°C]	Expected Life [h]
9GV0812P4K03	12	10.2 to 13.8	100	0.87	10.4	5,600	2.12 74.8	173.0 0.69	52	-20 to +70	40,000
			0	0.10	1.2	1,400	0.50 18.7	10.3 0.04	18		
9GV0812P4J03			100	0.47	5.6	4,500	1.72 60.7	110.0 0.44	46		
			0	0.07	0.8	1,200	0.45 16.2	7.5 0.03	14		
9GV0824P4K01	24	20.4 to 27.6	100	0.44	10.56	5,600	2.12 74.8	173 0.69	52		
			0	0.06	1.44	1,400	0.53 18.7	10.8 0.04	18		
9GV0848P4K03	48	43 to 53	100	0.22	10.56	5,600	2.12 74.8	173.0 0.69	52		
			0	0.04	1.92	1,500	0.57 20.1	12.4 0.05	19		

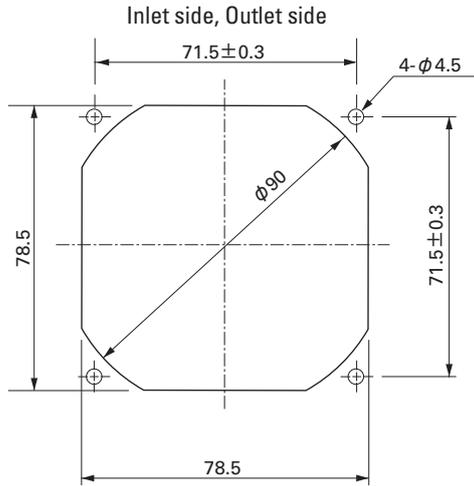
※PWM Frequency : 25kHz

Some models can also be equipped without sensors or with pulse sensors (no PWM control functions) as an option. Please refer to the index (pp. 417 to 437).

Dimensions (unit : mm) (With ribs)



Reference Dimension of Mounting Holes and Vent Opening (unit : mm)



Options (unit : mm)

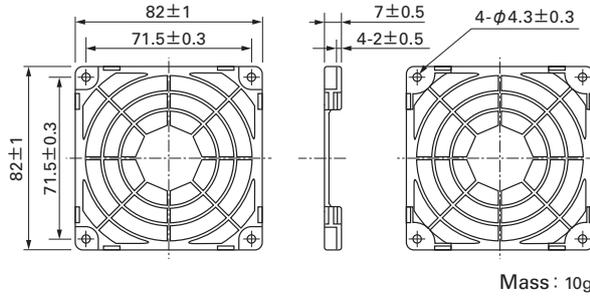
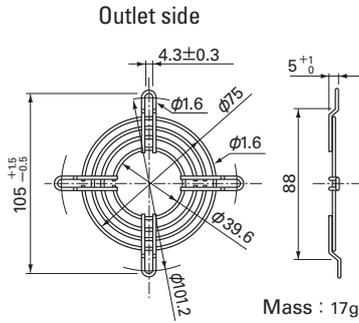
Finger Guards

Model : 109-049C Surface treatment : Nickel-chrome plating (silver)

Color

Resin Finger Guards

Model : 109-1002G

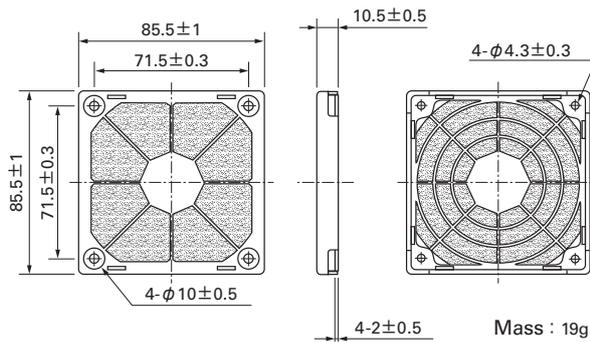
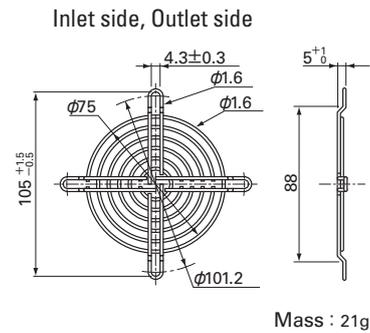


Model : 109-049E Surface treatment : Nickel-chrome plating (silver)
: 109-049H : Cation electropainting (black)

Color

Resin Filter Kits

Model : 109-1002F13 (13PPI), 109-1002F20 (20PPI)
: 109-1002F30 (30PPI), 109-1002F40 (40PPI)



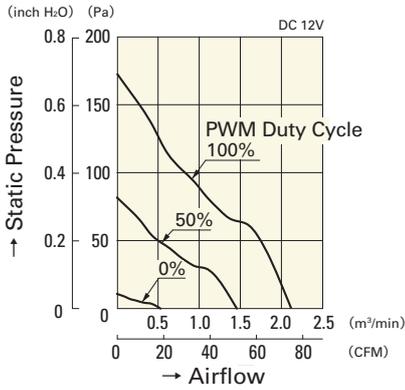
80 mm sq.

San Ace 80

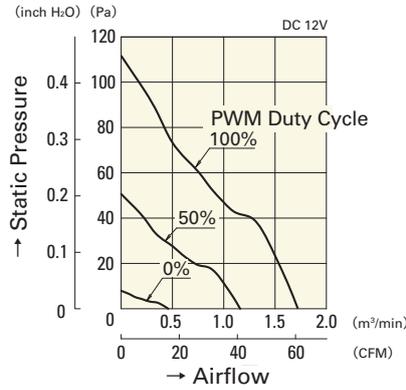
80×80×25mm [Mass : 125g]

Airflow - Static Pressure Characteristics

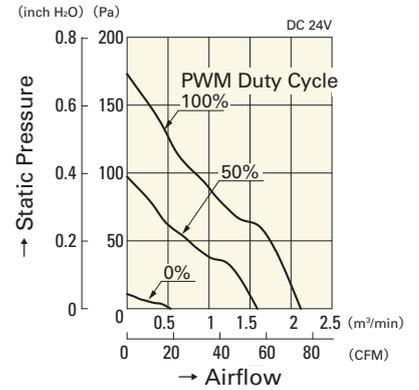
PWM Duty Cycle



9GV0812P4K03

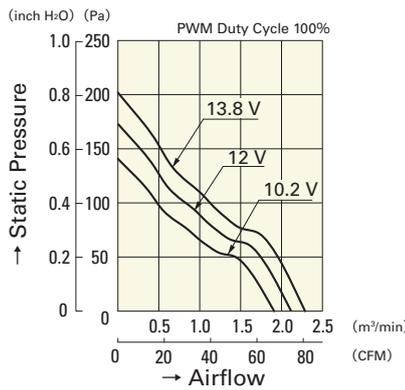


9GV0812P4J03

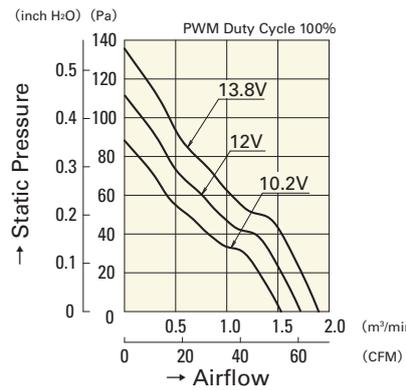


9GV0824P4K01

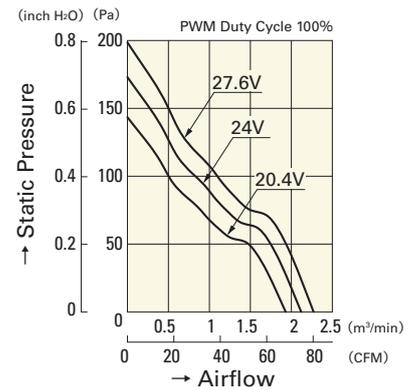
Operating Voltage Range



9GV0812P4K03

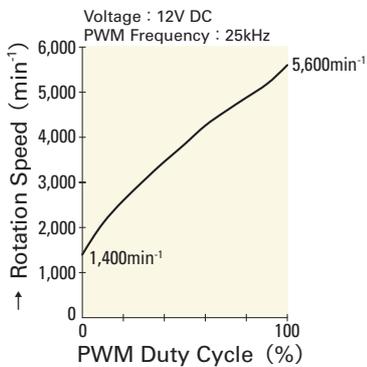


9GV0812P4J03

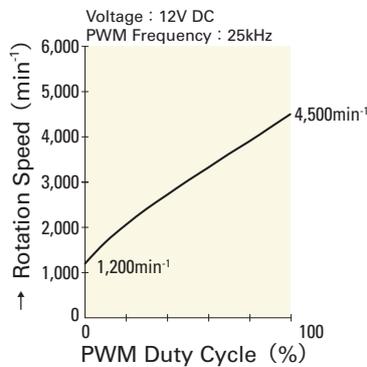


9GV0824P4K01

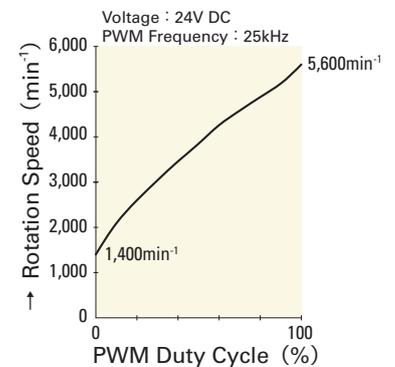
PWM Duty - Speed Characteristics Example



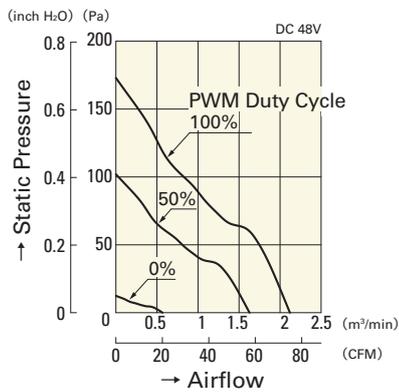
9GV0812P4K03



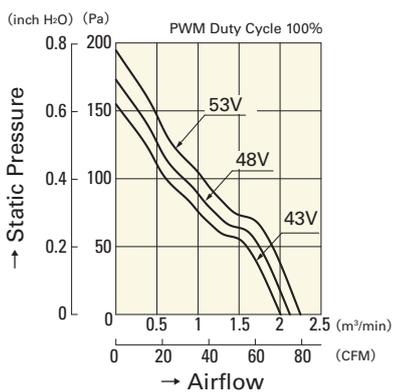
9GV0812P4J03



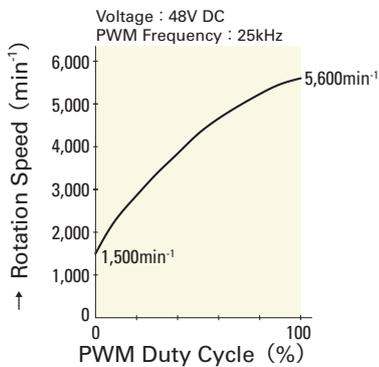
9GV0824P4K01



9GV0848P4K03



9GV0848P4K03



9GV0848P4K03