

80mm sq.

San Ace 80

15mm thick (9GA type), 15mm thick (9P type), 20mm thick (9GA type)
 20mm thick (9P type), 25mm thick (9GA type), **25mm thick (9S type)**
 25mm thick (9GV type), 25mm thick (9R type)
 25mm thick (San Cooler) (9A type), 32mm thick (9GA type)
 32mm thick (9P type), 38mm thick (9HV type), 38mm thick (9GA type)
 38mm thick (9GV type), 38mm thick (9G type)



Model no. 9S0812H401 is not TÜV certified.

General Specifications

- Material Frame: Plastics (Flammability: UL94V-0),
 Impeller: Plastics (Flammability: UL94V-1)
- Expected Life Refer to specifications (L10:Survival rate:90% at 60°C ,
 rated voltage, and continuously run in a free air state)
- Lead Wire ⊕red ⊖black (Sensor) yellow
- Storage Temperature -30°C to +70°C (Non-condensing)

80×80×25mm (Mass : 75g) **9S type** **Silent Fan**

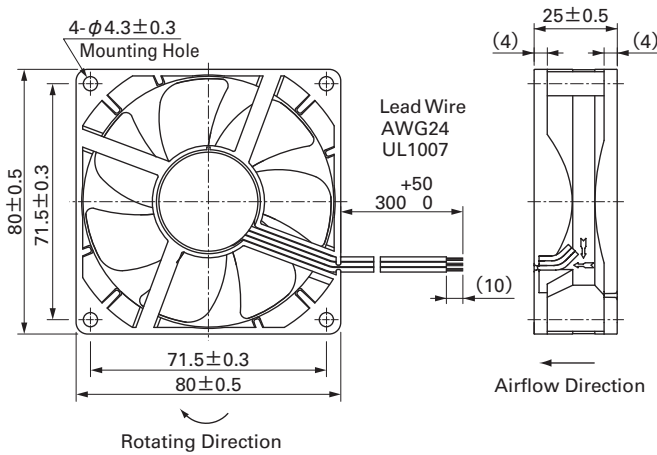
Specifications

The following nos. **have pulse sensors and ribs.** For ribless, append "1" to the model no.

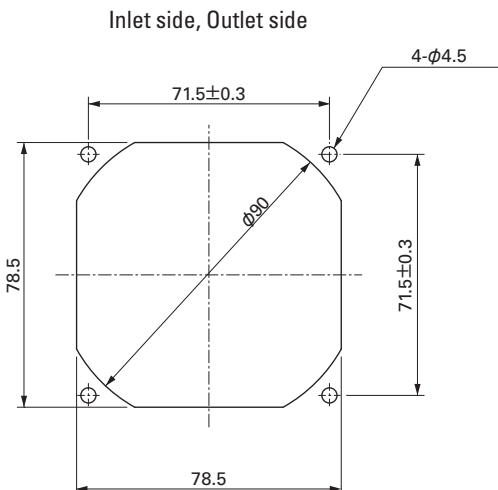
Model No.	Rated Voltage [V]	Operating Voltage Range [V]	Rated Current [A]	Rated Input [W]	Rated Speed [min ⁻¹]	Max. Airflow [m ³ /min] [CFM]	Max. Static Pressure [Pa] [inchH ₂ O]	SPL [dB(A)]	Operating Temperature [°C]	Expected Life [h]
9S0812H401	12	5.0 to 13.2	0.23	2.76	3,400	1.12 39.5	52.15 0.20	31	-10 to +70	40,000
9S0812F401		5.0 to 13.8	0.11	1.32	2,800	0.93 32.8	35.5 0.143	24		
9S0812M401		6.0 to 13.8	0.08	0.96	2,500	0.83 29.3	27.5 0.110	22		
9S0812L401	24	10 to 26.4	0.06	1.44	2,500	0.83 29.3	27.5 0.110	22	-10 to +70	40,000
9S0824M401		10 to 26.4	0.04	0.96	2,000	0.66 23.3	18.1 0.073	16		
9S0824L401		10 to 26.4	0.04	0.96	2,000	0.66 23.3	18.1 0.073	16		

Some models can also be equipped without sensors or with PWM control functions as an option. Please refer to the index (pp. 417 to 437).

Dimensions (unit : mm) (With ribs)



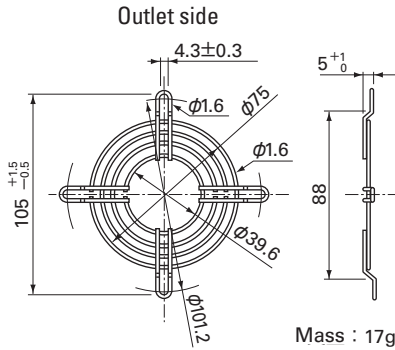
Reference Dimension of Mounting Holes and Vent Opening (unit : mm)



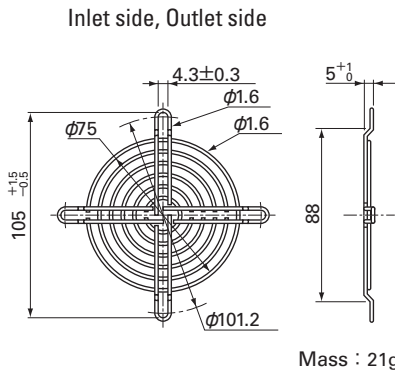
Options (unit : mm)

Finger Guards

Model : 109-049C Surface treatment : Nickel-chrome plating (silver) Color : Nickel-chrome plating (silver)

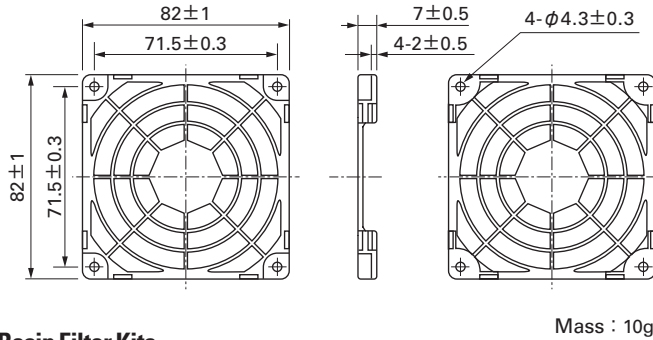


Model : 109-049E Surface treatment : Nickel-chrome plating (silver) Color : Nickel-chrome plating (silver)
 : 109-049H : Cation electropainting (black)



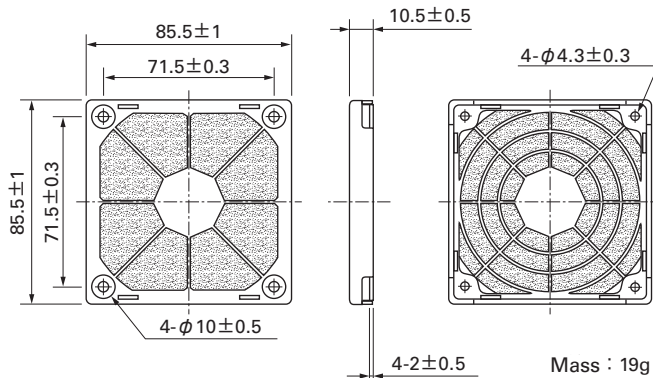
Resin Finger Guards

Model : 109-1002G

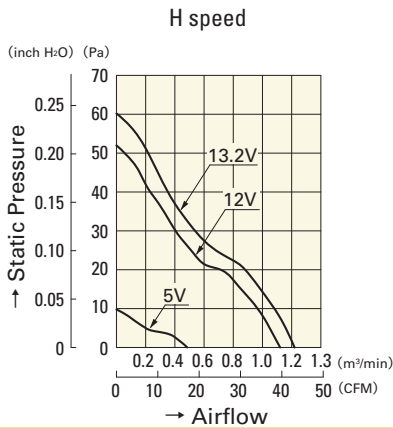


Resin Filter Kits

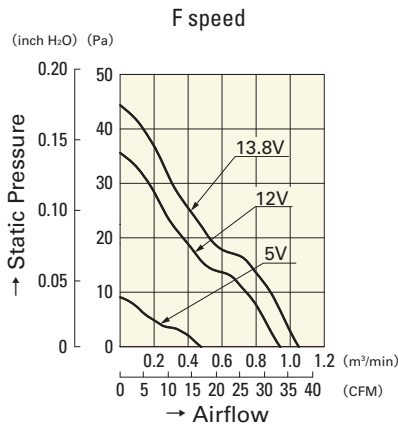
Model : 109-1002F13 (13PPI), 109-1002F20 (20PPI)
 : 109-1002F30 (30PPI), 109-1002F40 (40PPI)



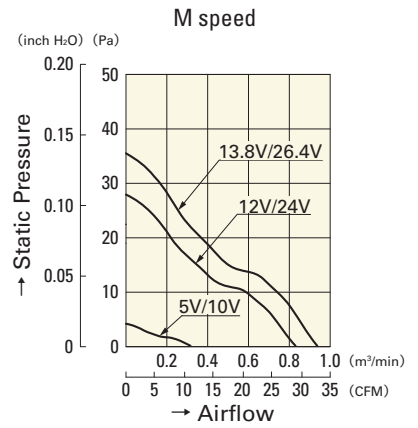
Airflow - Static Pressure Characteristics



9S0812H401

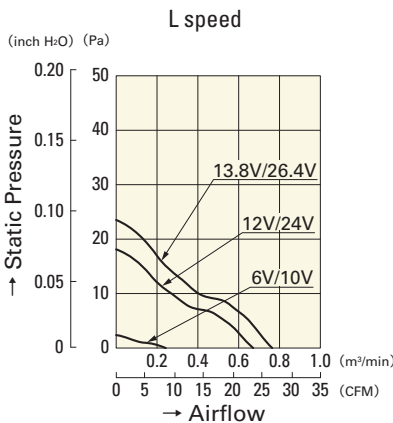


9S0812F401



9S0812M401

9S0824M401



9S0812L401

9S0824L401