

40mm sq.

San Ace 40

48mm thick (9CRA type), 56mm thick (9CRB type)
 56mm thick (9CRF type), 56mm thick (9CRD type)
 56mm thick (9CRE type)



General Specifications

- Material Frame: Aluminum, Impeller: Plastics (Flammability: UL94V-0)
- Expected Life Refer to specifications (L10:Survival rate:90% at 60°C , rated voltage, and continuously run in a free air state)
- Lead Wire Inlet ⊕red ⊖black (Sensor) yellow (Control) brown
 Outlet ⊕orange ⊖gray (Sensor) purple (Control) white
- Storage Temperature -30°C to +70°C (Non-condensing)

40×40×56mm (Mass : 110g) **9CRE type** **Low vibration**

Specifications

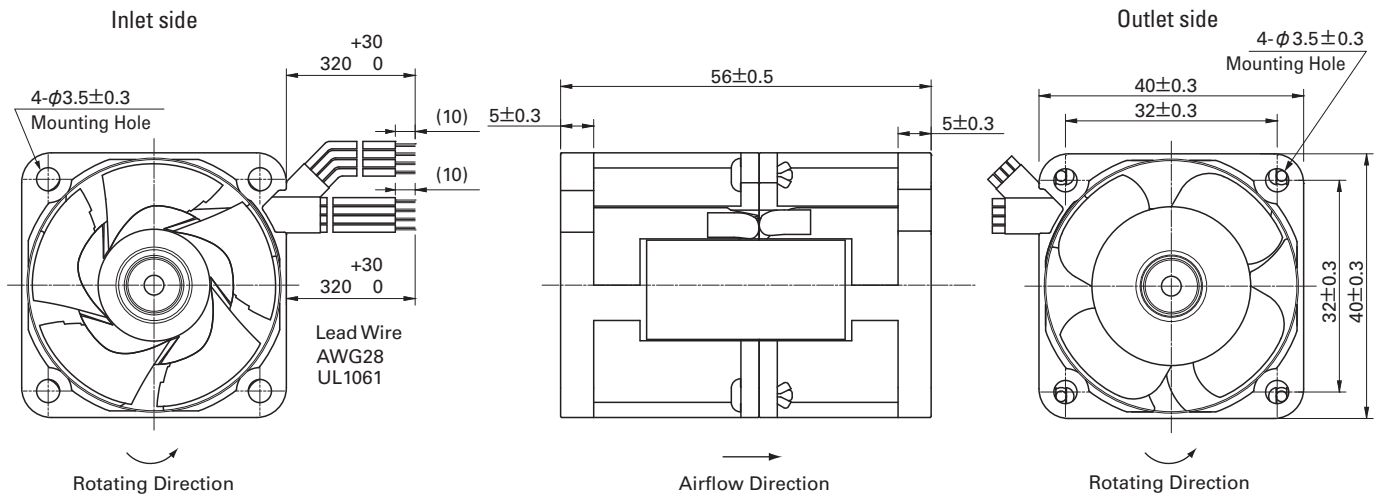
The following nos. have PWM controls and pulse sensors.

Model No.	Rated Voltage [V]	Operating Voltage Range [V]	PWM duty cycle※ [%]	Rated Current [A]	Rated Input [W]	Rated Speed [min ⁻¹]		Max. Airflow [m ³ /min] [CFM]		Max. Static Pressure [Pa] [inchH ₂ O]		SPL [dB(A)]	Operating Temperature [°C]	Expected Life [h]
						Inlet	Outlet							
9CRE0412P5J03	12	10.8 to 13.2	100	1.4	16.8	15,800	12,200	0.90	31.8	570.0	2.290	62	-20 to +70	40,000
			0	0.1	1.2	2,850	2,250	0.12	4.2	13.7	0.055	20.5		

※PWM Frequency : 25kHz

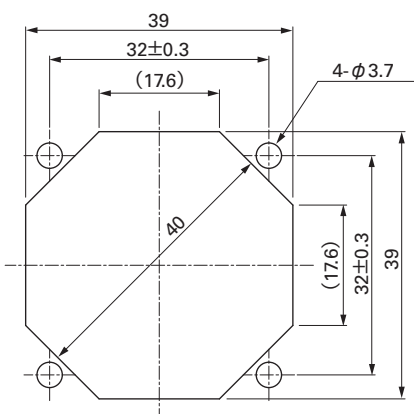
Some models can also be equipped without sensors as an option. Please refer to the index (pp. 417 to 437).

Dimensions (unit : mm)



Reference Dimension of Mounting Holes and Vent Opening (unit : mm)

Inlet side, Outlet side



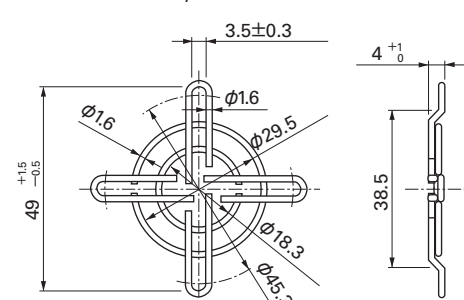
Options (unit : mm)

Finger Guards

Model : 109-059 Surface treatment : Nickel-chrome plating (silver)
 : 109-059H : Cation electropainting (black)

Color

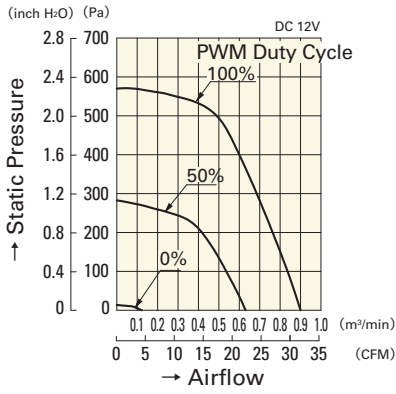
Inlet side, Outlet side



Mass : 7g

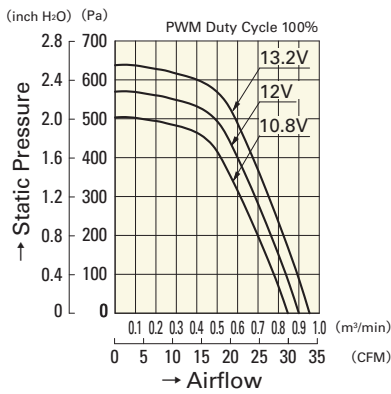
Airflow - Static Pressure Characteristics

PWM Duty Cycle



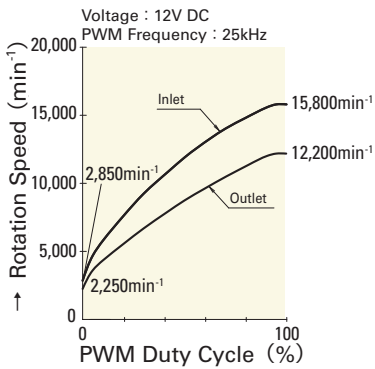
9CRE0412P5J03

Operating Voltage Range



9CRE0412P5J03

PWM Duty - Speed Characteristics Example



9CRE0412P5J03