

60mm sq.

San Ace 60

51mm thick (9CR type), 56mm thick (9CRA type)
76mm thick (9CRA type)



General Specifications

- Material Frame: Plastics (Flammability: UL94V-0),
Impeller: Plastics (Flammability: UL94V-0)
- Expected Life Refer to specifications (L10:Survival rate:90% at 60°C ,
rated voltage, and continuously run in a free air state)
- Lead Wire Inlet ⊕red ⊖black (Sensor) yellow (Control) brown
Outlet ⊕orange ⊖gray (Sensor) purple (Control) white
- Storage Temperature -30°C to +70°C (Non-condensing)

60×60×76mm (Mass : 270g) **9CRA type**

Specifications

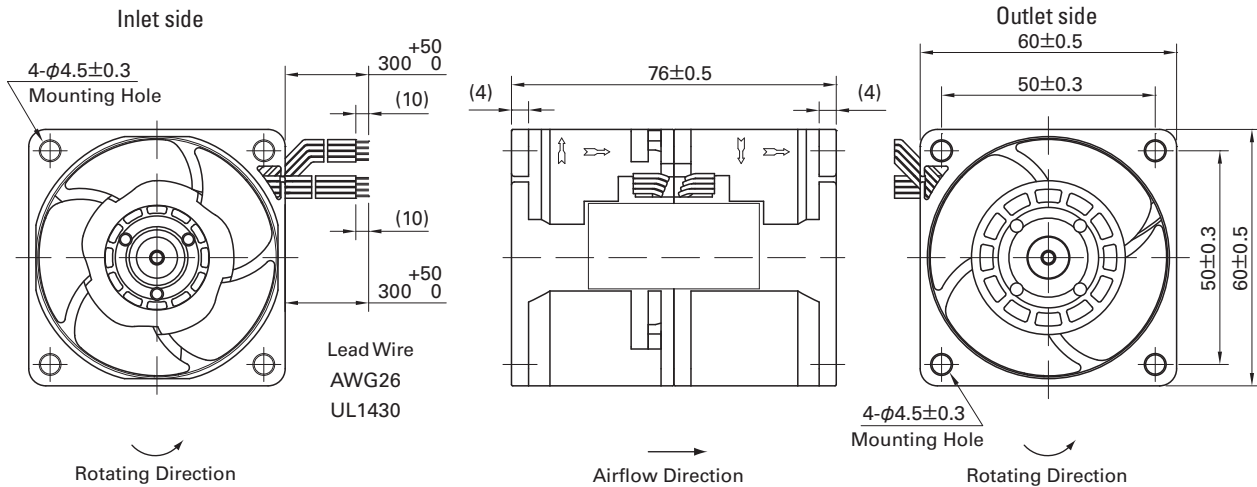
The following nos. **have PWM controls and pulse sensors.**

Model No.	Rated Voltage [V]	Operating Voltage Range [V]	PWM duty cycle※ [%]	Rated Current [A]	Rated Input [W]	Rated Speed [min ⁻¹]	Max. Airflow [m ³ /min] [CFM]	Max. Static Pressure [Pa] [inchH ₂ O]	SPL [dB(A)]	Operating Temperature [°C]	Expected Life ^{nom} [h]
9CRA0612P0G001	12	10.8 to 13.2	100	2.3	27.6	16,500 13,000	2.0 70.6	1,000 4.0	66	-20 to +70	40,000/60°C (70,000/40°C)
			0	0.22	2.7	3,600 2,800	0.43 15.1	47.6 0.19	32		
9CRA0612P0S001			100	1.5	18.0	14,000 11,000	1.7 60.0	720 2.89	63		
			0	0.17	2.1	3,200 2,500	0.38 13.4	37.6 0.15	29		

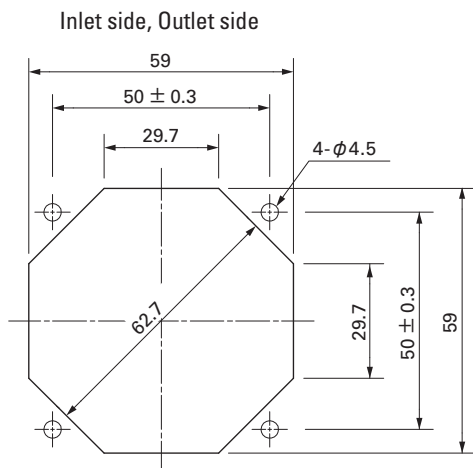
Note: Expected life at 40°C ambient is just reference value.

※PWM Frequency : 25kHz

Dimensions (unit : mm)



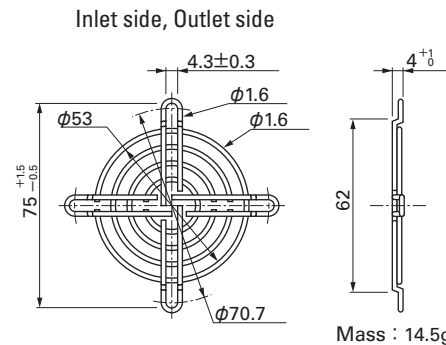
Reference Dimension of Mounting Holes and Vent Opening (unit : mm)



Options (unit : mm)

Finger Guards

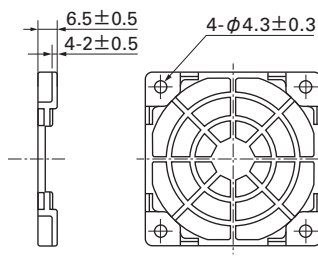
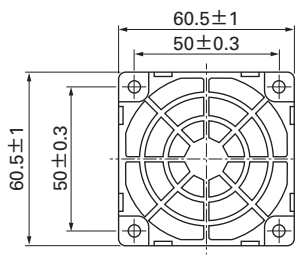
Model : 109-139E Surface treatment : Nickel-chrome plating (silver) Color
: 109-139H : Cation electropainting (black)



Options (unit : mm)

Resin Finger Guards

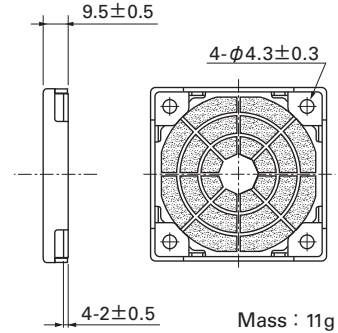
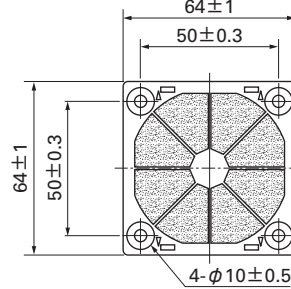
Model : 109-1003G



Mass : 7g

Resin Filter Kits

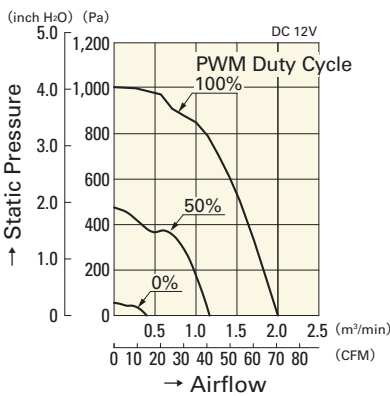
Model : 109-1003F13 (13PPI), 109-1003F20 (20PPI)
: 109-1003F30 (30PPI), 109-1003F40 (40PPI)



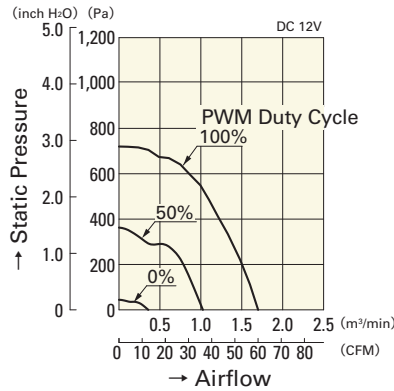
Mass : 11g

Airflow - Static Pressure Characteristics

PWM Duty Cycle

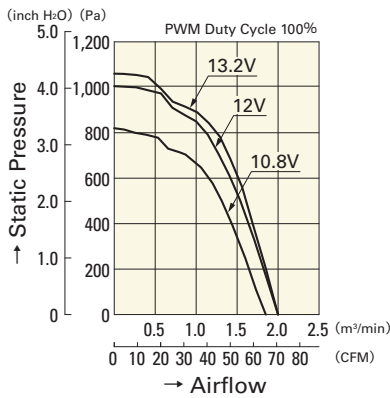


9CRA0612P0G001

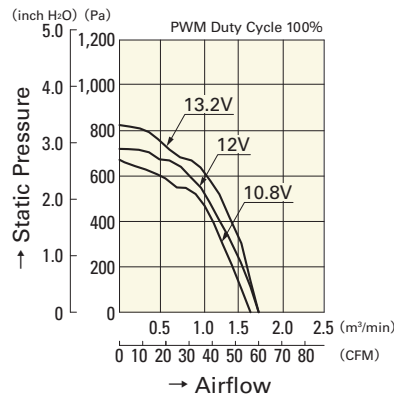


9CRA0612P0S001

Operating Voltage Range

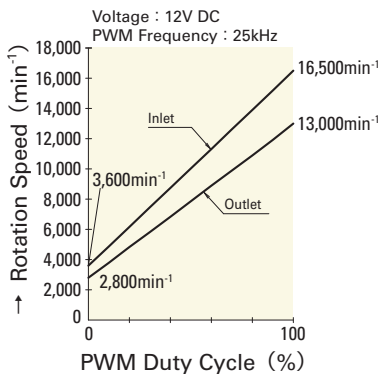


9CRA0612P0G001

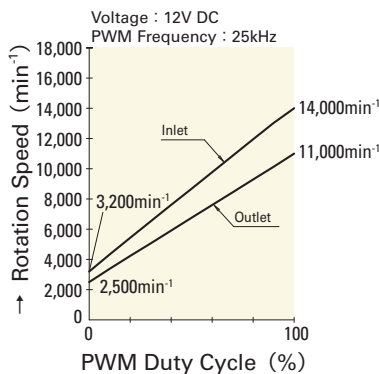


9CRA0612P0S001

PWM Duty - Speed Characteristics Example



9CRA0612P0G001



9CRA0612P0S001