

92mm sq.

San Ace 92W

- 25mm thick (9WL type)
- 25mm thick (9WS type)
- 25mm thick (9WP type)
- 38mm thick (9VV type)



Model no. 9WP0912S401, 9WP0912F401, 9WP0924S401 are not certified.

General Specifications

- Material: Frame: Plastics (Flammability: UL94V-0), Impeller: Plastics (Flammability: UL94V-0)
- Expected Life: Refer to specifications (Indoor, L10:Survival rate: 90% at 60°C, rated voltage, and continuously run in a free air state)
- Lead Wire: ⊕red ⊖black or blue (Sensor) yellow
- Storage Temperature: -30°C to +70°C (Non-condensing)

92×92×25mm (Mass : 120g) **IP 68** **9WP type**

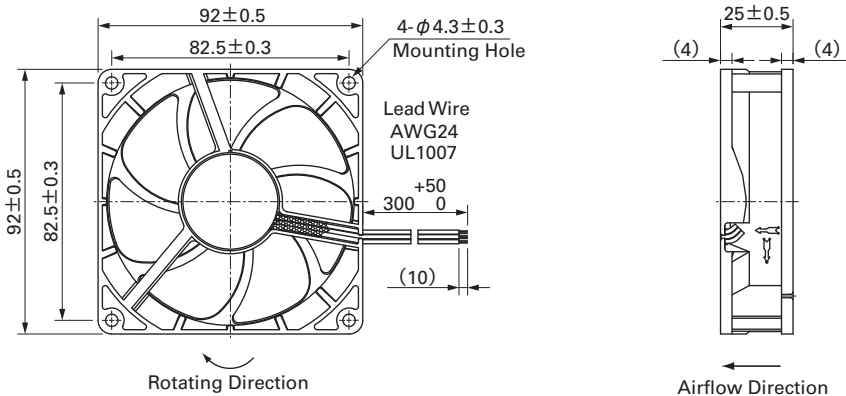
Specifications

The following nos. have pulse sensors and ribs.

Model No.	Rated Voltage [V]	Operating Voltage Range [V]	Rated Current [A]	Rated Input [W]	Rated Speed [min ⁻¹]	Max. Airflow [m ³ /min] [CFM]	Max. Static Pressure [Pa] [inchH ₂ O]	SPL [dB(A)]	Operating Temperature [°C]	Expected Life [h]
9WP0912S401	12	6 to 13.8	0.27	3.24	3,550	1.66 58.6	57.7 0.231	39	-20 to +70	40,000
9WP0912F401			0.14	1.68	2,650	1.24 43.8	32.2 0.129	30		
9WP0924G401	24	12 to 27.6	0.19	4.56	3,900	1.76 62.2	66.5 0.267	43		
9WP0924S401			0.15	3.6	3,550	1.66 58.6	57.7 0.231	39		
9WP0924H401			0.1	2.4	3,150	1.45 51.2	44 0.177	33		
9WP0924F401			0.08	1.92	2,650	1.24 43.8	32.2 0.129	30		
9WP0924B401			0.05	1.20	2,000	0.90 31.8	18.0 0.072	23	-10 to +70	

Some models can also be equipped without sensors as an option. Please refer to the index (pp. 417 to 437).

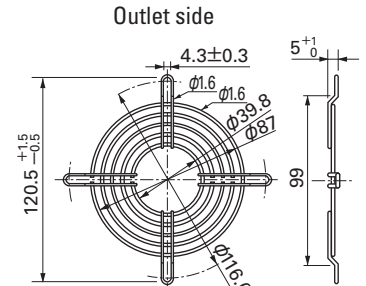
Dimensions (unit : mm)



Options (unit : mm)

Finger Guards

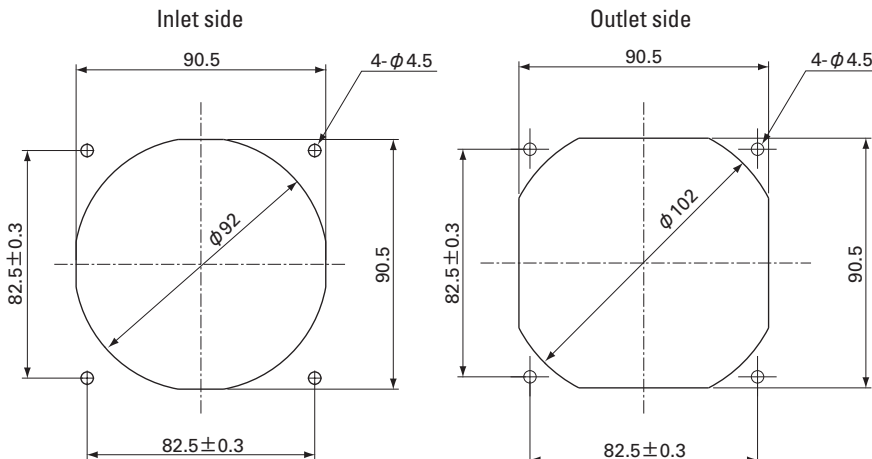
Model : 109-099C Surface treatment : Nickel-chrome plating (silver) Color



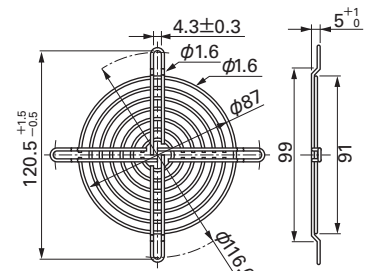
Mass : 22g

Model : 109-099E Surface treatment : Nickel-chrome plating (silver) Color
: 109-099H : Cation electropainting (black)

Reference Dimension of Mounting Holes and Vent Opening (unit : mm)



Inlet side, Outlet side

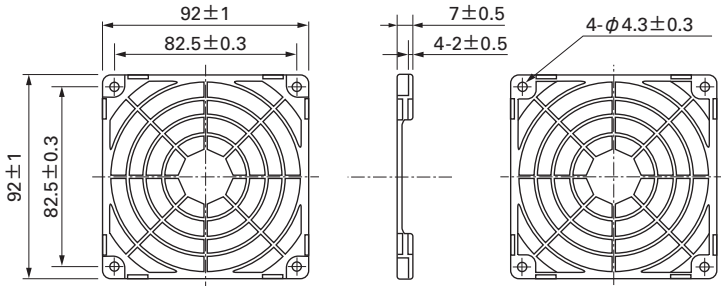


Mass : 29g

Options (unit : mm)

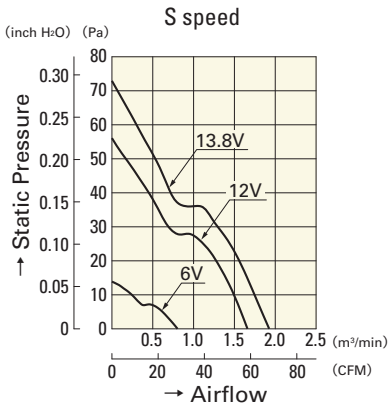
Resin Finger Guards

Model : 109-1001G

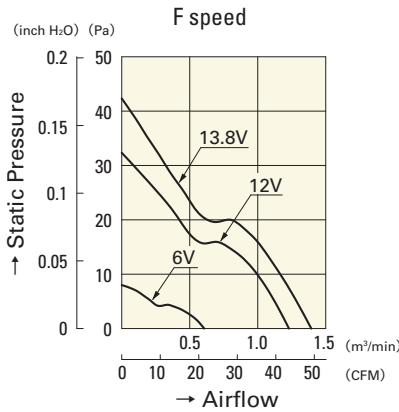


Mass : 12g

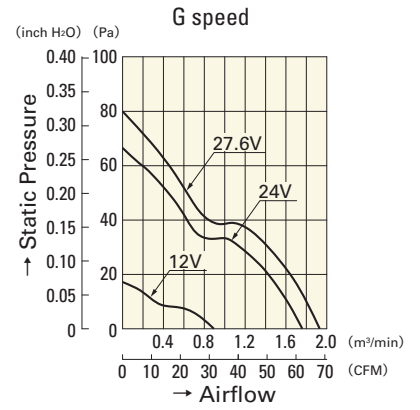
Airflow - Static Pressure Characteristics



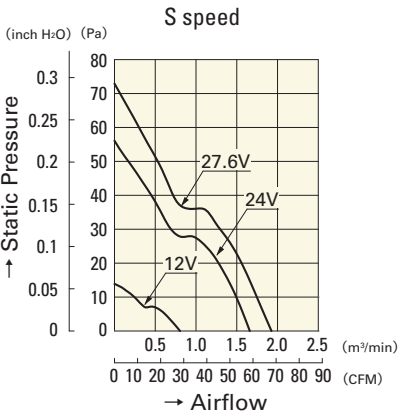
9WP0912S401



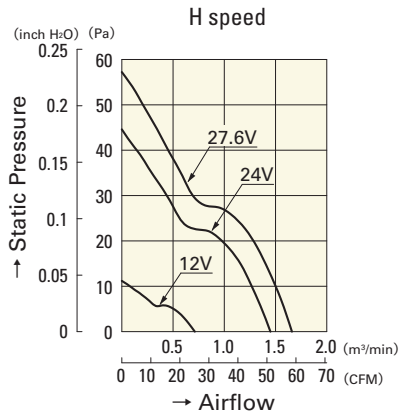
9WP0912F401



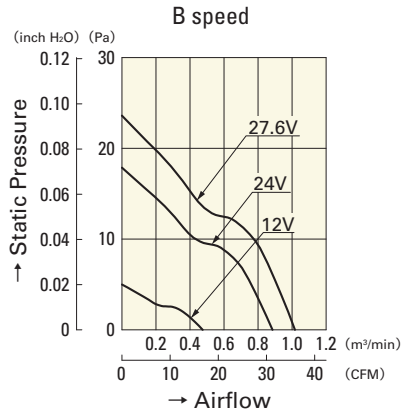
9WP0924G401



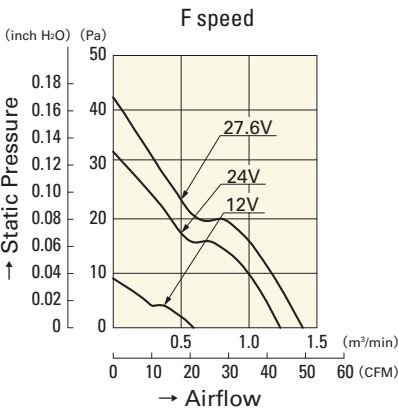
9WP0924S401



9WP0924H401



9WP0924B401



9WP0924F401