

**120**mm sq.

# San Ace 120W

38mm thick (9WV type), 38mm thick (9WP type)  
38mm thick (9WG type), 38mm thick (9WS type)



## General Specifications

- Material ..... Frame: Plastics (Flammability: UL94V-0),  
Impeller: Plastics (Flammability: UL94V-1)
- Expected Life ..... Refer to specifications (Indoor, L10:Survival rate: 90% at 60°C,  
rated voltage, and continuously run in a free air state)
- Lead Wire ..... ⊕red ⊖black (Sensor) yellow
- Storage Temperature ..... -30°C to +70°C (Non-condensing)

**120×120×38mm** (Mass : 360g) **IP 68** **9WP type**

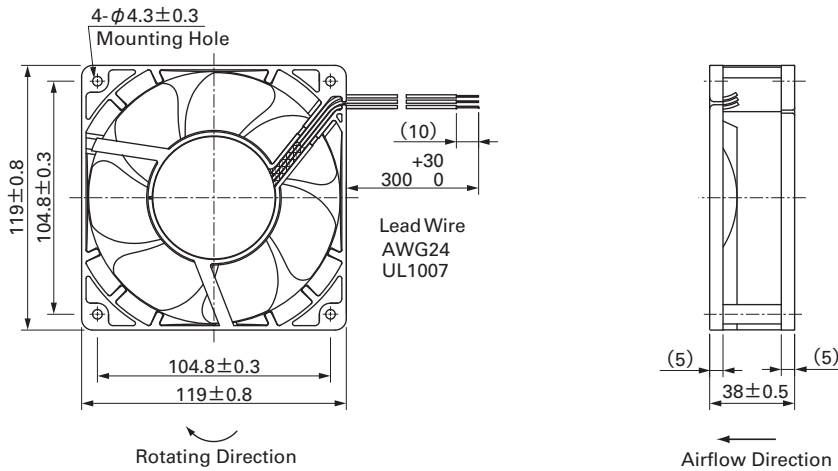
## Specifications

The following nos. **have pulse sensors and ribs**. For ribless, append "1" to the model no.

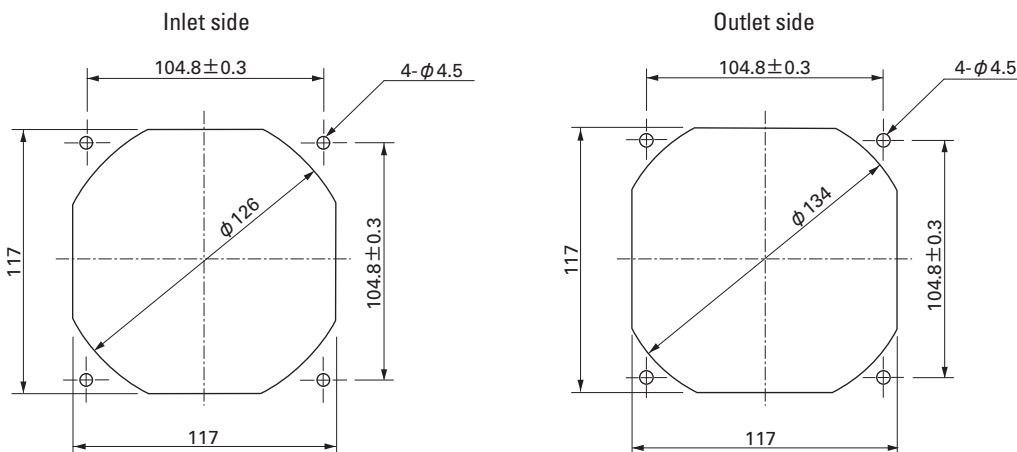
Model No.	Rated Voltage [V]	Operating Voltage Range [V]	Rated Current [A]	Rated Input [W]	Rated Speed [min <sup>-1</sup> ]	Max. Airflow [m <sup>3</sup> /min] [CFM]	Max. Static Pressure [Pa] [inchH <sub>2</sub> O]	SPL [dB(A)]	Operating Temperature [°C]	Expected Life [h]
9WP1212H101	12	7.0 to 13.8	0.38	4.56	2,600	2.80 99	70.4 0.283	39	- 20 to + 70	40,000
9WP1224H101	24	14.0 to 27.6	0.22	5.28	2,600	2.80 99	70.4 0.283	39		
9WP1248H101	48	40.8 to 55.2	0.11	5.28	2,600	2.80 99	70.4 0.283	39		

Some models can also be equipped without sensors as an option. Please refer to the index (pp. 417 to 437).

## Dimensions (unit : mm) (With ribs)



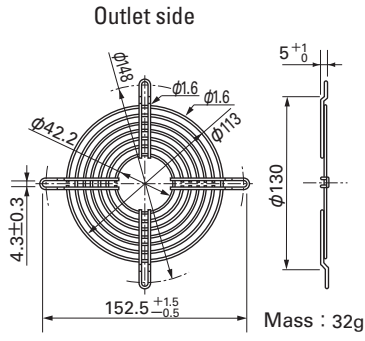
## Reference Dimension of Mounting Holes and Vent Opening (unit : mm)



## Options (unit : mm)

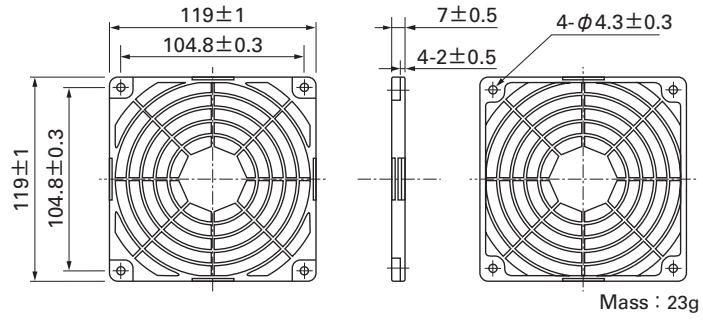
### Finger Guards

Model : 109-019C Surface treatment : Nickel-chrome plating (silver) Color (silver)  
 : 109-019H : Cation electropainting (black)



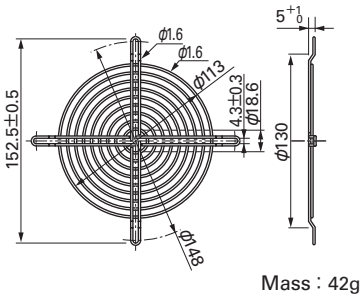
### Resin Finger Guards

Model : 109-1000G

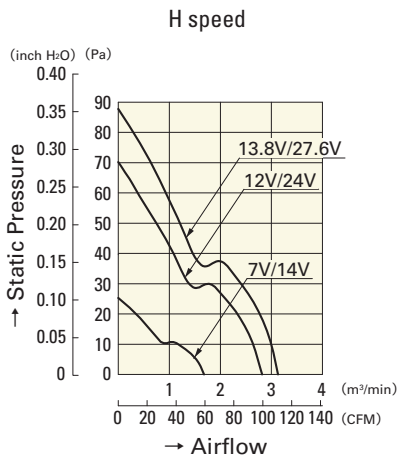


Model : 109-019E Surface treatment : Nickel-chrome plating (silver) Color (silver)  
 : 109-019K : Cation electropainting (black)

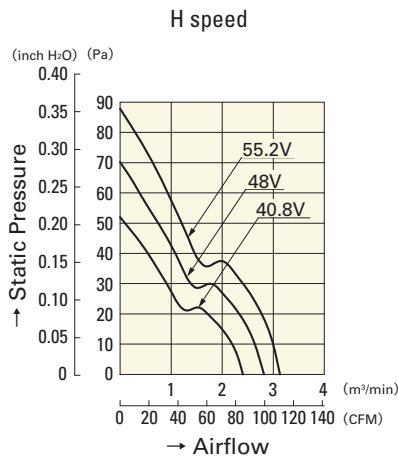
### Inlet side, Outlet side



## Airflow - Static Pressure Characteristics



**9WP1212H101**  
**9WP1224H101**



**9WP1248H101**