

40mm sq.

San Ace 40

10mm thick (9P type), 15mm thick (9GA type),
 15mm thick (9P type), 20mm thick (9GA type),
 20mm thick (9P type), 28mm thick (9GA type),
 28mm thick (9GE type), 28mm thick (9GV type),
 28mm thick (9P type)



General Specifications

- Material Frame: Plastics (Flammability: UL94V-0),
 Impeller: Plastics (Flammability: UL94V-1)
- Expected Life Refer to specifications (L10:Survival rate:90% at 60°C ,
 rated voltage, and continuously run in a free air state)
- Lead Wire ⊕red ⊖black or blue (Sensor) yellow
- Storage Temperature -30°C to +70°C (Non-condensing)

40×40×10mm (Mass : 19g) **9P type**

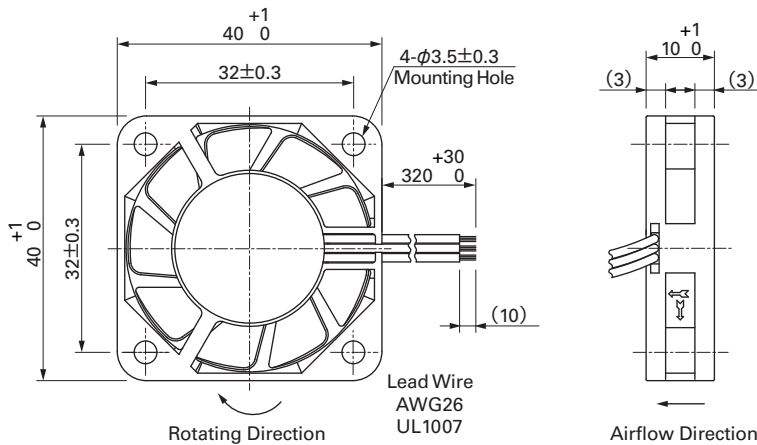
Specifications

The following nos. **have pulse sensors and ribs.**

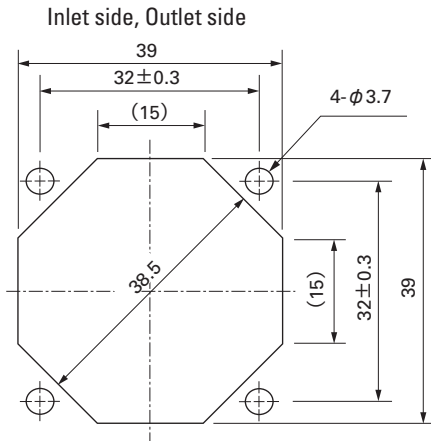
Model No.	Rated Voltage [V]	Operating Voltage Range [V]	Rated Current [A]	Rated Input [W]	Rated Speed [min ⁻¹]	Max. Airflow [m ³ /min] [CFM]	Max. Static Pressure [Pa] [inchH ₂ O]	SPL [dB(A)]	Operating Temperature [°C]	Expected Life [h]	
109P0405H901	5	4.5 to 5.5	0.16	0.8	6,200	0.15	5.3	41.2	0.165	-10 to +60	40,000
109P0405M901			0.11	0.55	5,000	0.12	4.2	27	0.108		
109P0412H901	12	7 to 13.8	0.07	0.84	6,200	0.15	5.3	41.2	0.165		
109P0412M901			0.06	0.72	5,000	0.12	4.2	27	0.108		

Some models can also be equipped without sensors as an option. Please refer to the index (pp. 417 to 437).

Dimensions (unit : mm)

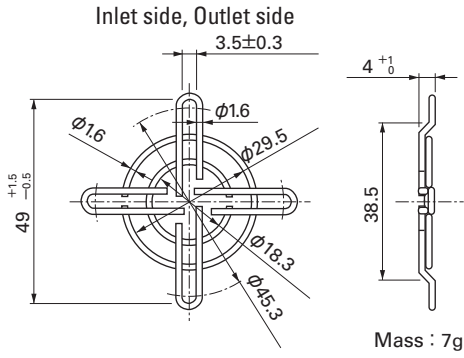


Reference Dimension of Mounting Holes and Vent Opening (unit : mm)

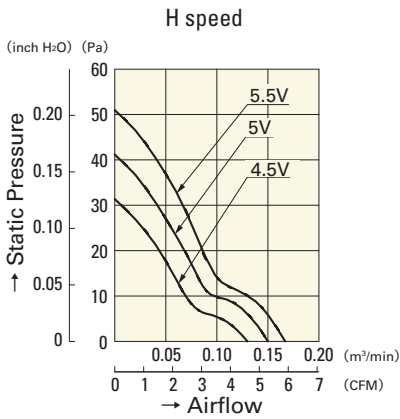


Finger Guards

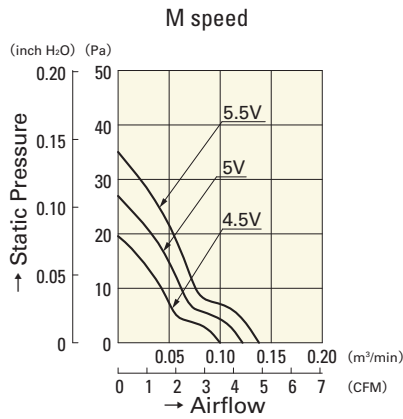
Model : 109-059 Surface treatment : Nickel-chrome plating (silver) Color
 : 109-059H : Cation electropainting (black)



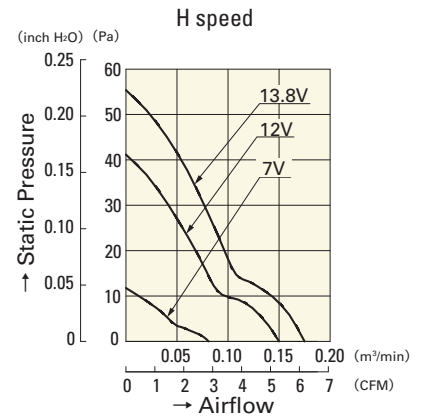
Airflow - Static Pressure Characteristics



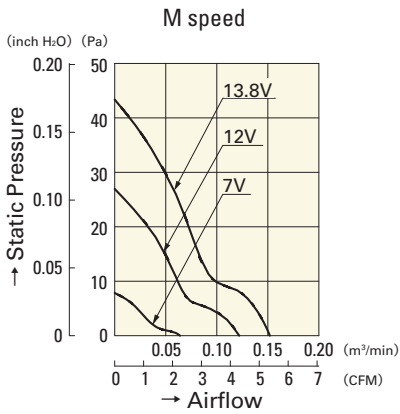
109P0405H901



109P0405M901



109P0412H901



109P0412M901